

STATE OF ILLINOIS
DEPARTMENT OF TRANSPORTATION
DIVISION OF HIGHWAYS

F.A.I. RTE.	SECTION	COUNTY	TOTAL SHEETS	SHEET NO.
74	D5 CM PATCHING 2016-7	CHAMPAIGN VERMILION ILLINOIS	9	1
CONTRACT NO. 70B58				

PROPOSED HIGHWAY PLANS

FAI ROUTE 74 (I-74)
SECTION D5 CM PATCHING 2016-7
PAVEMENT PATCHING
CHAMPAIGN AND VERMILION COUNTY

FOR INDEX OF SHEETS, SEE SHEET NO. 2

CURRENT ADT

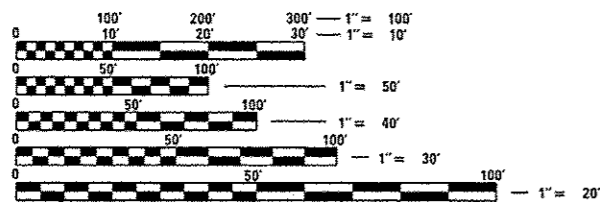
INTERSTATE
FAI 74 (I-74)

LEG"A"	ADT(2016) = 32,200	SU=3.6%	MU=18.7%
LEG"B"	ADT(2016) = 27,700	SU=4.1%	MU=23.7%
LEG"C"	ADT(2016) = 26,800	SU=3.8%	MU=25.7%
LEG"D"	ADT(2016) = 25,800	SU=4.0%	MU=26.8%
LEG"E"	ADT(2016) = 24,800	SU=4.0%	MU=30.3%
LEG"F"	ADT(2016) = 22,000	SU=4.3%	MU=30.4%
LEG"G"	ADT(2016) = 23,400	SU=4.1%	MU=29.0%
LEG"H"	ADT(2016) = 26,700	SU=4.5%	MU=24.4%
LEG"I"	ADT(2016) = 19,200	SU=4.3%	MU=34.3%
LEG"J"	ADT(2016) = 18,700	SU=3.8%	MU=35.8%

LEG"A" IS I-74 FROM HIGH CROSS RD TO ST JOSEPH
LEG"B" IS I-74 FROM ST JOSEPH TO OGDEN
LEG"C" IS I-74 FROM OGDEN TO IL49 NORTH
LEG"D" IS I-74 FROM IL49 NORTH TO OAKWOOD
LEG"E" IS I-74 FROM OAKWOOD TO US150 (MLK DR)
LEG"F" IS I-74 FROM US150 (MLK DR) TO "G" ST
LEG"G" IS I-74 FROM "G" ST TO IL 1
LEG"H" IS I-74 FROM IL 1 TO BOWMAN AVE
LEG"I" IS I-74 FROM BOWMAN AVE TO LYNCH RD
LEG"J" IS I-74 FROM LYNCH RD TO INDIANA STATE LINE

DESIGN DESIGNATION

N/A

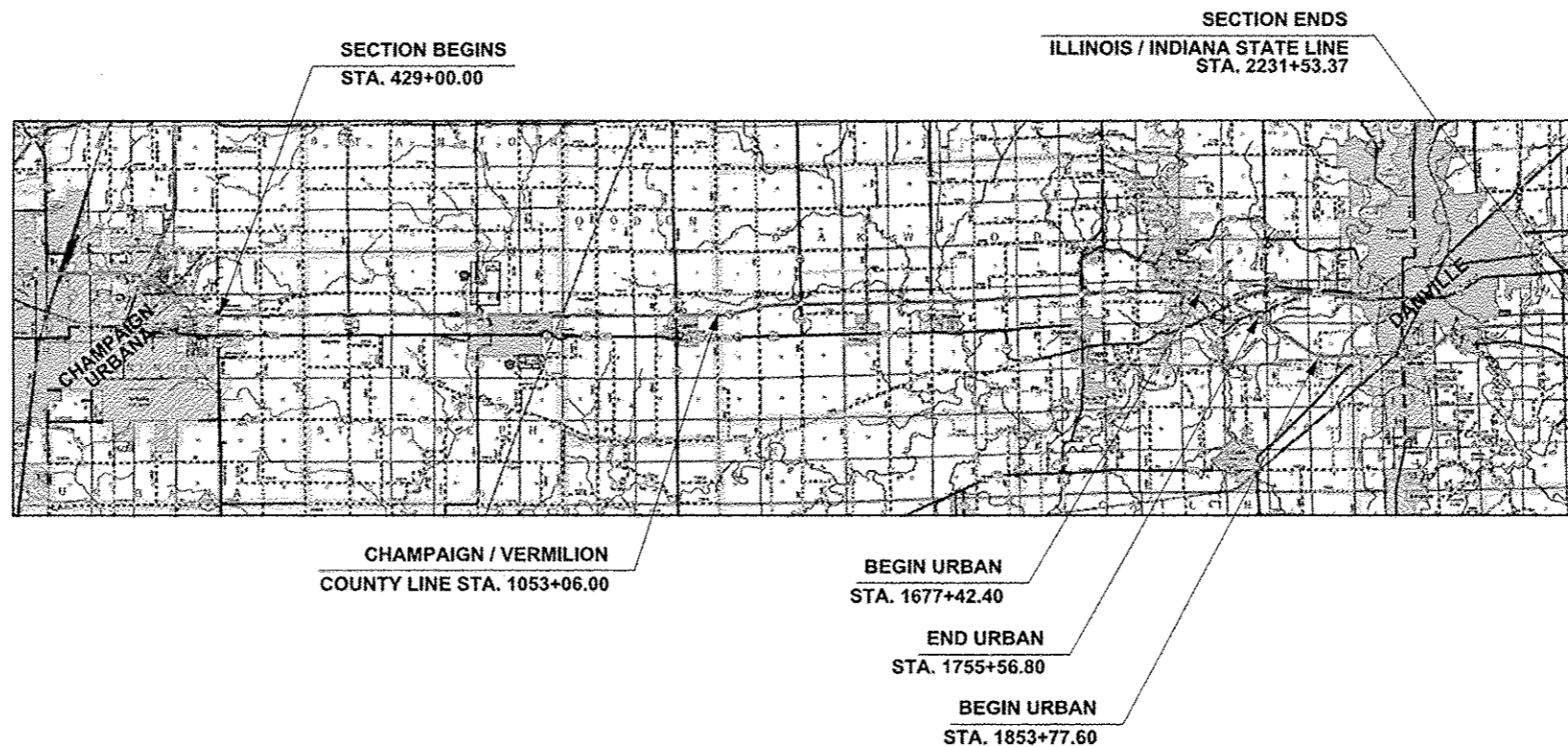


FULL SIZE PLANS HAVE BEEN PREPARED USING STANDARD ENGINEERING SCALES. REDUCED SIZED PLANS WILL NOT CONFORM TO STANDARD SCALES. IN MAKING MEASUREMENTS ON REDUCED PLANS, THE ABOVE SCALES MAY BE USED.

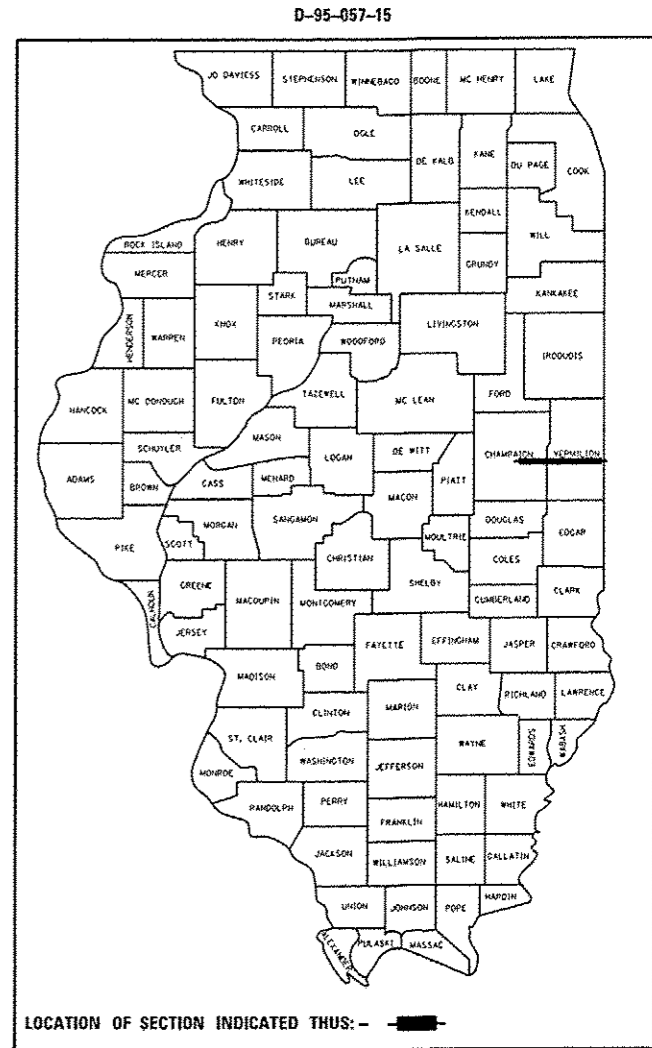
J.U.L.I.E.
JOINT UTILITY LOCATION INFORMATION FOR EXCAVATION
1-800-892-0123
OR 811

PROJECT ENGINEER: NANCY FASIG
SQUAD LEADER: STEVE COOMBES
DESIGNER: MICHAEL DODGE
CONTRACT NO. 70B58

C-95-057-15



GROSS LENGTH = 180,253.00 FT. = 34.139 MILE
NET LENGTH = 180,253.00 FT. = 34.139 MILE



STATE OF ILLINOIS
DEPARTMENT OF TRANSPORTATION
DIVISION OF HIGHWAYS

SUBMITTED JANUARY 28, 2016
Kensil A. Garnett
DEPUTY DIRECTOR OF HIGHWAYS, REGION ENGINEER

March 18, 2016
Maureen M. Addis, P.E.
ENGINEER OF DESIGN AND ENVIRONMENT

March 18, 2016
Omer Osman, P.E.
DIRECTOR OF HIGHWAYS, CHIEF ENGINEER

PRINTED BY THE AUTHORITY
OF THE STATE OF ILLINOIS

INDEX OF SHEETS

SHEET NO.	DESCRIPTION
1	COVER SHEET
2	INDEX OF SHEETS, GENERAL NOTES, LIST OF HIGHWAY STANDARDS
3	SUMMARY OF QUANTITIES
4-7	EXISTING TYPICAL CROSS SECTIONS
8-9	SCHEDULE OF QUANTITIES

LIST OF HIGHWAY STANDARDS

STANDARD NO.	DESCRIPTION
000001-06	STANDARD SYMBOLS, ABBREVIATIONS AND PATTERNS
001001-02	AREAS OF REINFORCEMENT BARS
001006	DECIMAL OF AN INCH AND OF A FOOT
420001-08	PAVEMENT JOINTS
420701-03	PAVEMENT WELDED WIRE REINFORCEMENT
442101-07	CLASS B PATCHES
701101-05	OFF-ROAD OPERATIONS, MULTILANE, 15' (4.5 m) TO 24' (600 mm) FROM PAVEMENT EDGE
701400-08	APPROACH TO LANE CLOSURE, FREEWAY / EXPRESSWAY
701401-09	LANE CLOSURE, FREEWAY OR EXPRESSWAY
701411-09	LANE CLOSURE, MULTILANE, AT ENTRANCE OR EXIT RAMP, FOR SPEEDS \geq 45 MPH
701426-08	LANE CLOSURE, MULTILANE, INTERMITTENT OR MOVING OPER., FOR SPEEDS \geq 45 MPH
701428-01	TRAFFIC CONTROL SETUP AND REMOVAL FREEWAY/EXPRESSWAY
701901-05	TRAFFIC CONTROL DEVICES

GENERAL NOTES

G.N.-100
ENGLISH UNITS OF MEASUREMENT SHALL GOVERN OVER AND SUPERSEDE ANY METRIC UNITS SHOWN IN THIS CONTRACT. WHERE INCLUDED, METRIC UNITS ARE FOR INFORMATION ONLY.

G.N.-100A
ELECTRONIC FILES AND/OR ELECTRONIC SURVEY INFORMATION INCLUDING CADD FILES WILL NOT BE AVAILABLE TO THE CONTRACTOR.

G.N.-442B – PATCHING SCHEDULES
THE PATCHING SCHEDULES INCLUDED IN THE PLANS REPRESENT THE BEST INFORMATION AVAILABLE AT THE TIME OF COMPLETION OF THE PLANS FOR LETTING. VARIATIONS IN LOCATION AND SIZES OF BOTH FULL-DEPTH AND PARTIAL-DEPTH PATCHES MAY OCCUR.

G.N.-1004.01
COARSE AGGREGATE GRADATION CA-10 MAY BE USED WHENEVER COARSE AGGREGATE CA-6 IS SPECIFIED IN THE STANDARD SPECIFICATIONS.

COMMITMENTS:
THERE ARE NO COMMITMENTS FOR THIS CONTRACT.

FILE NAME =	USER NAME = dodgers	DESIGNED -	REVISED -	STATE OF ILLINOIS DEPARTMENT OF TRANSPORTATION	INDEX OF SHEETS, HIGHWAY STANDARDS & GENERAL NOTES	F.A.I. RTE.	SECTION	COUNTY	TOTAL SHEETS	SHEET NO.
p:\N\2048B\INTEG\Illinois.gov\2007\Do	uments\DOT Offices\District 5\Projects\057	DRAWN Data\Design\057058-gemose.dgn	REVISED -			74	D5 CM PATCHING 2016-7	CHAMPAIGN/ VERMILION	9	2
#MODELNAME\$	PLOT SCALE = 48,0000' / in.	CHECKED -	REVISED -			CONTRACT NO. 70B58				
	PLOT DATE = 1/27/2016	DATE -	REVISED -		SCALE:	SHEET 1 OF 1 SHEETS STA. TO STA.				
ILLINOIS FED. AID PROJECT										

SUMMARY OF QUANTITIES

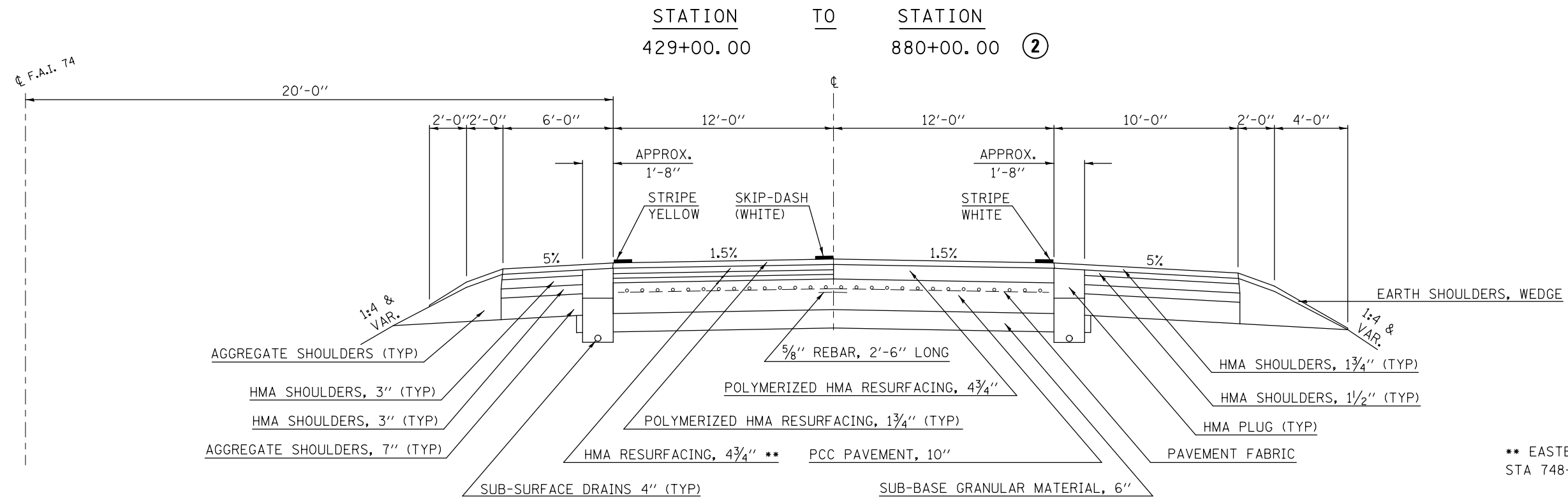
LOCATION OF WORK:	FAI 74	FAI 74	FAI 74
	RURAL	RURAL	URBAN
	INTERSTATE	INTERSTATE	INTERSTATE
	CHAMPAIGN COUNTY	VERMILION COUNTY	VERMILION COUNTY
FUNDING BREAKOUT:	100% STATE	100% STATE	100% STATE
CONSTRUCTION TYPE CODE:	0005	0005	0005

CODE NO.	ITEM	UNIT	TOTAL QUANTITY	QUANTITY	QUANTITY	QUANTITY
44200050	WELDED WIRE REINFORCEMENT	SQ YD	586.0	336.0	0.0	250.0
44201031	CLASS B PATCHES, TYPE II, 15 INCH	SQ YD	185.0	67.0	30.0	88.0
44201035	CLASS B PATCHES, TYPE III, 15 INCH	SQ YD	52.0	36.0	0.0	16.0
44201037	CLASS B PATCHES, TYPE IV, 15 INCH	SQ YD	534.0	300.0	0.0	234.0
44201299	DOWEL BARS 1 1/2"	EACH	890.0	410.0	60.0	420.0
44213200	SAW CUTS	FOOT	2450.0	1,180.0	152.0	1,118.0
44213208	TIE BARS 1 1/4"	EACH	202.0	113.0	0.0	89.0
67100100	MOBILIZATION	LSUM	1.0	0.4	0.3	0.3
70100420	TRAFFIC CONTROL AND PROTECTION, STANDARD 701411	EACH	8.0	0.0	0.0	8.0
70100800	TRAFFIC CONTROL AND PROTECTION, STANDARD 701401	L SUM	1.0	0.4	0.3	0.3
70103815	TRAFFIC CONTROL SURVEILLANCE	CAL DA	15.0	7.0	4.0	4.0
X7010410	SPEED DISPLAY TRAILER	CAL MO	1.0	0.4	0.3	0.3
X7015005	CHANGEABLE MESSAGE SIGN	CAL DA	15.0	7.0	4.0	4.0
* DENOTES SPECIALTY ITEM						

13

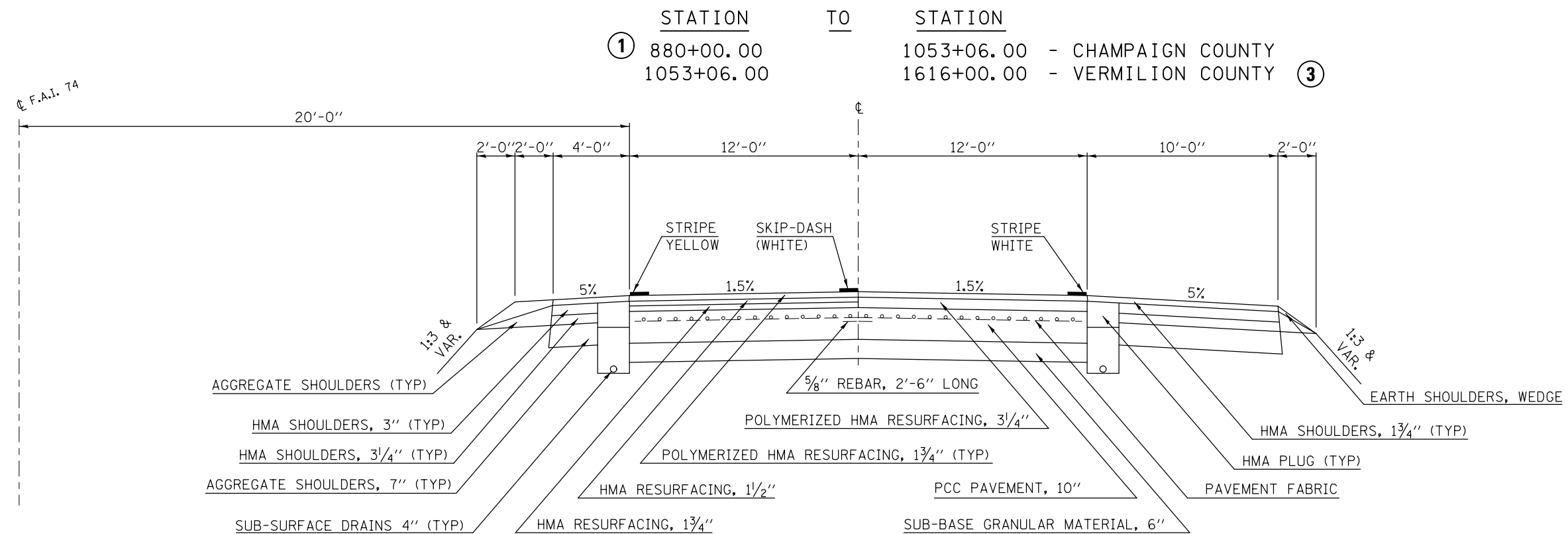
EXISTING TYPICAL CROSS SECTION F.A.I. ROUTE 74

1



EXISTING TYPICAL CROSS SECTION F.A.I. ROUTE 74

2

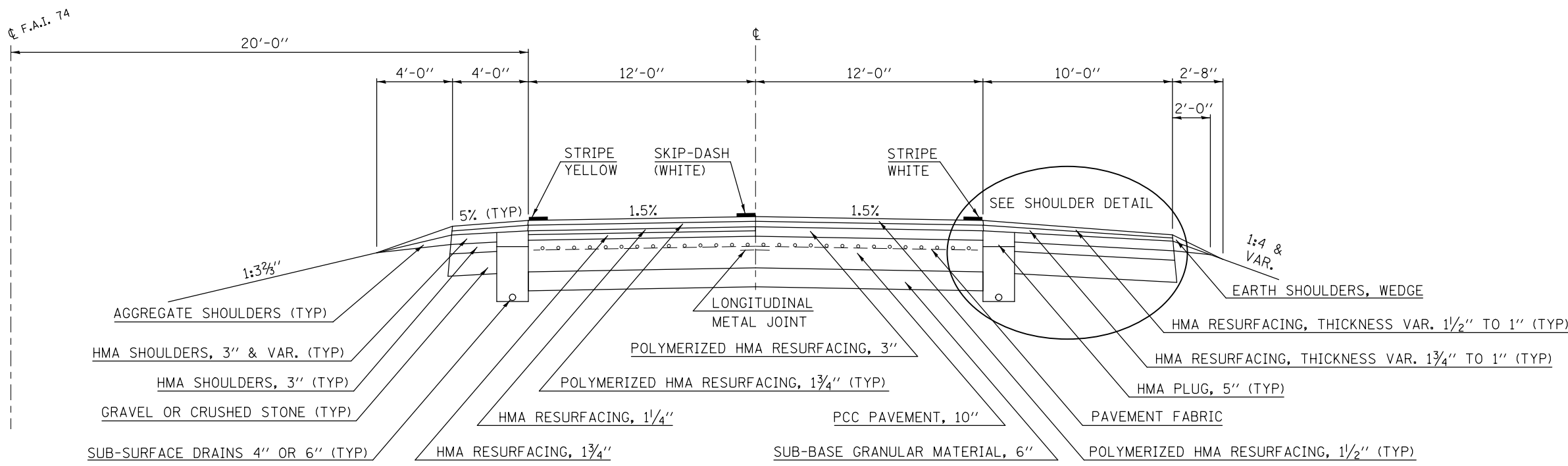


FILE NAME =	USER NAME = dodgms	DESIGNED -	REVISED -	STATE OF ILLINOIS DEPARTMENT OF TRANSPORTATION	TYPICAL SECTIONS			F.A.I. RTE.	SECTION	COUNTY	TOTAL SHEETS	SHEET NO.
p:\11\084EBIDINTEG.illinois.gov\PI\DOT\Documents\DOT Offices\District 5\Projects\057\Drawings\Design\0570858-sh1-typical.dwg		DRAWN	REVISED		74	D5 CM PATCHING 2016-7	CHAMPAIGN/ VERMILION	9	4			
PLOT SCALE = 40.0000' / in.	CHECKED -	REVISED -	SCALE:		SHEET 1 OF 4 SHEETS STA. TO STA.			CONTRACT NO. 70B58				
MODELNAME	DATE -	REVISED -	ILLINOIS FED. AID PROJECT									

EXISTING TYPICAL CROSS SECTION F.A.I. ROUTE 74

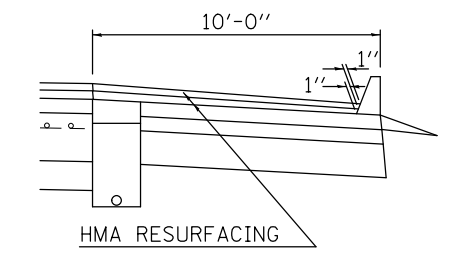
3

STATION TO STATION
 ② 1616+00.00 1720+00.00 ④



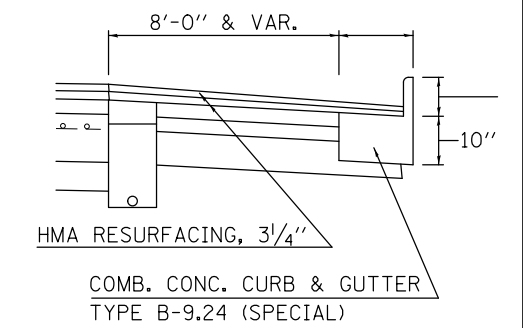
SHOULDER DETAIL

LT. 1618+87.00 TO LT. 1627+88.22
 RT. 1624+65.29 TO RT. 1627+88.22



SHOULDER DETAIL

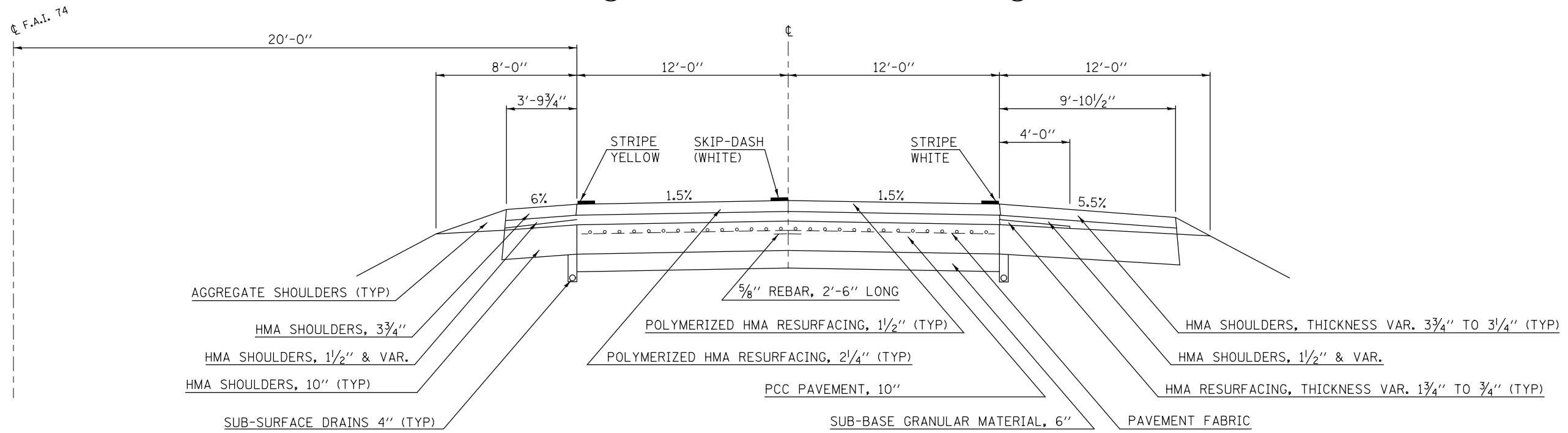
LT. 1631.89.30 TO LT. 1647+92.36 (WB)
 RT. 1631+89.63 TO RT. 1647+36.45 (EB)



EXISTING TYPICAL CROSS SECTION F.A.I. ROUTE 74

4

STATION TO STATION
 ③ 1720+00.00 1908+00.00 ⑤

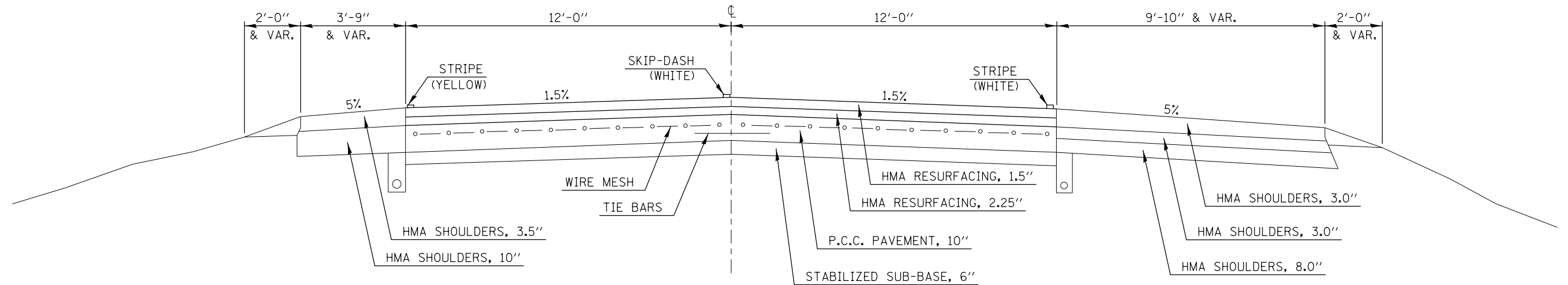


FILE NAME =	USER NAME = dodgems	DESIGNED -	REVISED -	STATE OF ILLINOIS DEPARTMENT OF TRANSPORTATION	TYPICAL SECTIONS	F.A.I. RTE.	SECTION	COUNTY	TOTAL SHEETS	SHEET NO.		
DRAWN						74	D5 CM PATCHING 2016-7	CHAMPAIGN/ VERMILION	9	5		
PLOT SCALE = 40.0000' / in.						CHECKED -	CONTRACT NO. 70B58					
DATE -						ILLINOIS FED. AID PROJECT						
SCALE:		SHEET 2 OF 4 SHEETS		STA. TO STA.								

EXISTING TYPICAL CROSS SECTION F.A.I. ROUTE 74

7

STATION TO STATION
 ⑥ 2020+00.00 2231+53.37



FILE NAME =	USER NAME = dodgms	DESIGNED -	REVISED -	STATE OF ILLINOIS DEPARTMENT OF TRANSPORTATION	TYPICAL SECTIONS			F.A.I. RTE.	SECTION	COUNTY	TOTAL SHEETS	SHEET NO.
pw:\IL\084EBIDINTEG.illinois.gov\PIWIDOT\Documents\DOT Offices\District 5\Projects\0570858\Drawings\Design\0570858-shr-typical.dwg		DESIGNED -	REVISED -		74	D5 CM PATCHING 2016-7	CHAMPAIGN/VERMILION	9	7			
MODELNAME	PLOT SCALE = 40.0000' / in.	CHECKED -	REVISED -		SCALE: SHEET 4 OF 4 SHEETS STA. TO STA.			CONTRACT NO. 70B58				
	PLOT DATE = 1/27/2016	DATE -	REVISED -		ILLINOIS FED. AID PROJECT							

SCHEDULE OF QUANTITIES

I-74 (EASTBOUND) CLASS B 15" PATCHING											
STATION	DIRECTION	LANE	LENGTH (FT)	WIDTH (FT)	PATCH AREA			DOWEL BARS 44201299 (EACH)	SAW CUTS 44213200 (FT)	TIE BARS 1 1/4" 44213208 (EACH)	WELDED WIRE REINFORCEMENT 44200050 (SQ YD)
					TYPE II 15.0" 44201031 (SQ YD)	TYPE III 15.0" 44201035 (SQ YD)	TYPE IV 15.0" 44201037 (SQ YD)				
CHAMPAIGN COUNTY											
430+72.00	I-74 EB (RURAL)	DL	10	12	13.3	0.0	0.0	20	56.0	0	0.0
482+95.00	I-74 EB (RURAL)	DL	30	12	0.0	0.0	40.0	30	96.0	15	40.0
483+29.00	I-74 EB (RURAL)	DL	15	12	0.0	20.0	0.0	20	66.0	0	20.0
484+15.00	I-74 EB (RURAL)	DL	20	12	0.0	0.0	26.7	30	76.0	10	26.7
485+13.00	I-74 EB (RURAL)	DL	6	12	8.0	0.0	0.0	20	48.0	0	0.0
645+04.00	I-74 EB (RURAL)	DL	30	12	0.0	0.0	40.0	30	96.0	15	40.0
645+47.00	I-74 EB (RURAL)	DL	25	12	0.0	0.0	33.3	30	86.0	13	33.3
645+85.00	I-74 EB (RURAL)	DL	8	12	10.7	0.0	0.0	20	52.0	0	0.0
646+79.00	I-74 EB (RURAL)	DL	12	12	0.0	16.0	0.0	20	60.0	0	16.0
691+66.00	I-74 EB (RURAL)	DL	30	12	0.0	0.0	40.0	30	96.0	15	40.0
740+39.00	I-74 EB (RURAL)	DL	30	12	0.0	0.0	40.0	30	96.0	15	40.0
CHAMPAIGN COUNTY I-74 EB (RURAL) PATCHING SUB-TOTALS					32.0 (SQ YD)	36.0 (SQ YD)	220.0 (SQ YD)	280.0 (EACH)	828.0 (FT)	83.0 (EACH)	256.0 (SQ YD)
VERMILION COUNTY											
1885+47.00	I-74 EB (URBAN)	DL	6	12	8.0	0.0	0.0	20	48.0	0	0.0
1886+57.00	I-74 EB (URBAN)	DL	6	12	8.0	0.0	0.0	20	48.0	0	0.0
1887+83.00	I-74 EB (URBAN)	DL	6	12	8.0	0.0	0.0	20	48.0	0	0.0
1888+17.00	I-74 EB (URBAN)	DL	12	12	0.0	16.0	0.0	20	60.0	0	16.0
1889+63.00	I-74 EB (URBAN)	DL	20	12	0.0	0.0	26.7	30	76.0	10	26.7
1892+96.00	I-74 EB (URBAN)	DL	6	12	8.0	0.0	0.0	20	48.0	0	0.0
1898+94.00	I-74 EB (URBAN)	DL	20	12	0.0	0.0	26.7	30	76.0	10	26.7
VERMILION COUNTY I-74 EB (URBAN) PATCHING SUB-TOTALS					32.0 (SQ YD)	16.0 (SQ YD)	53.3 (SQ YD)	160.0 (EACH)	404.0 (FT)	20.0 (EACH)	69.3 (SQ YD)

SCHEDULE OF QUANTITIES

I-74 (WESTBOUND) CLASS B 15" PATCHING											
STATION	DIRECTION	LANE	LENGTH (FT)	WIDTH (FT)	PATCH AREA			DOWEL BARS 1 1/2" 44201299 (EACH)	SAW CUTS 44213200 (FT)	TIE BARS 1/1/4" 44213208 (EACH)	WELDED WIRE REINFORCEMENT 44200050 (SQ YD)
					TYPE II 15.0" 44201031 (SQ YD)	TYPE III 15.0" 44201035 (SQ YD)	TYPE IV 15.0" 44201037 (SQ YD)				
CHAMPAIGN COUNTY											
642+69.00	I-74 WB (RURAL)	DL	6	12	8.0	0.0	0.0	20	48.0	0	0.0
644+63.00	I-74 WB (RURAL)	DL	6	12	8.0	0.0	0.0	20	48.0	0	0.0
645+71.00	I-74 WB (RURAL)	DL	6	12	8.0	0.0	0.0	20	48.0	0	0.0
688+82.00	I-74 WB (RURAL)	DL	8	12	10.7	0.0	0.0	20	52.0	0	0.0
691+82.00	I-74 WB (RURAL)	DL	60	12	0.0	0.0	80.0	50	156.0	30	80.0
CHAMPAIGN COUNTY I-74 WB (RURAL) PATCHING SUB-TOTALS					34.7 (SQ YD)	0.0 (SQ YD)	80.0 (SQ YD)	130.0 (EACH)	352.0 (FT)	30.0 (EACH)	80.0 (SQ YD)
VERMILION COUNTY											
1107+62.00	I-74 WB (RURAL)	DL	10	12	13.3	0.0	0.0	20	56.0	0	0.0
1109+91.00	I-74 WB (RURAL)	DL	6	12	8.0	0.0	0.0	20	48.0	0	0.0
1122+04.00	I-74 WB (RURAL)	DL	6	12	8.0	0.0	0.0	20	48.0	0	0.0
VERMILION COUNTY I-74 WB (RURAL) PATCHING SUB-TOTALS					29.3 (SQ YD)	0.0 (SQ YD)	0.0 (SQ YD)	60.0 (EACH)	152.0 (FT)	0.0 (EACH)	0.0 (SQ YD)
VERMILION COUNTY											
1875+39.00	I-74 WB (URBAN)	DL	25	12	0.0	0.0	33.3	30	86.0	13	33.3
1880+94.00	I-74 WB (URBAN)	DL	10	12	13.3	0.0	0.0	20	56.0	0	0.0
1881+13.00	I-74 WB (URBAN)	DL	6	12	8.0	0.0	0.0	20	48.0	0	0.0
1897+13.00	I-74 WB (URBAN)	DL	10	12	13.3	0.0	0.0	20	56.0	0	0.0
1898+53.00	I-74 WB (URBAN)	DL	20	12	0.0	0.0	26.7	30	76.0	10	26.7
1899+52.00	I-74 WB (URBAN)	DL	40	12	0.0	0.0	53.3	40	116.0	20	53.3
1902+49.00	I-74 WB (URBAN)	DL	25	12	0.0	0.0	33.3	30	86.0	13	33.3
1928+21.00	I-74 WB (URBAN)	DL	6	12	8.0	0.0	0.0	20	48.0	0	0.0
1931+73.00	I-74 WB (URBAN)	DL	25	12	0.0	0.0	33.3	30	86.0	13	33.3
1936+94.00	I-74 WB (URBAN)	DL	10	12	13.3	0.0	0.0	20	56.0	0	0.0
VERMILION COUNTY I-74 WB (URBAN) PATCHING SUB-TOTALS					56.0 (SQ YD)	0.0 (SQ YD)	180.0 (SQ YD)	260.0 (EACH)	714.0 (FT)	69.0 (EACH)	180.0 (SQ YD)

PATCHING SUMMARY							
	PATCH AREA			DOWEL BARS 44201299 (EACH)	SAW CUTS 44213200 (FT)	TIE BARS 1 1/4" 44213208 (EACH)	WELDED WIRE REINFORCEMENT 44200050 (SQ YD)
	TYPE II 15.0" 44201031 (SQ YD)	TYPE III 15.0" 44201035 (SQ YD)	TYPE IV 15.0" 44201037 (SQ YD)				
CHAMPAIGN COUNTY I-74 EB (RURAL) SUB-TOTALS	32.0	36.0	220.0	280.0	828.0	83.0	256.0
CHAMPAIGN COUNTY I-74 WB (RURAL) SUB-TOTALS	34.7	0.0	80.0	130.0	352.0	30.0	80.0
CHAMPAIGN COUNTY I-74 (RURAL) TOTALS	66.7	36.0	300.0	410.0	1,180.0	113.0	336.0
ROUNDED	67.0	36.0	300.0	410.0	1,180.0	113.0	336.0
VERMILION COUNTY I-74 WB (RURAL) SUB-TOTALS	29.3	0.0	0.0	60.0	152.0	0.0	0.0
VERMILION COUNTY I-74 WB (RURAL) TOTALS	29.3	0.0	0.0	60.0	152.0	0.0	0.0
ROUNDED	30.0	0.0	0.0	60.0	152.0	0.0	0.0
VERMILION COUNTY I-74 EB (URBAN) SUB-TOTALS	32.0	16.0	53.3	160.0	404.0	20.0	69.3
VERMILION COUNTY I-74 WB (URBAN) SUB-TOTALS	56.0	0.0	180.0	260.0	714.0	69.0	180.0
VERMILION COUNTY I-74 (URBAN) TOTALS	88.0	16.0	233.3	420.0	1,118.0	89.0	249.3
ROUNDED	88.0	16.0	234.0	420.0	1,118.0	89.0	250.0
GRAND TOTALS	185.0	52.0	534.0	890.0	2,450.0	202.0	586.0