

STATE OF ILLINOIS
DEPARTMENT OF TRANSPORTATION
DIVISION OF HIGHWAYS

**PROPOSED
HIGHWAY PLANS**

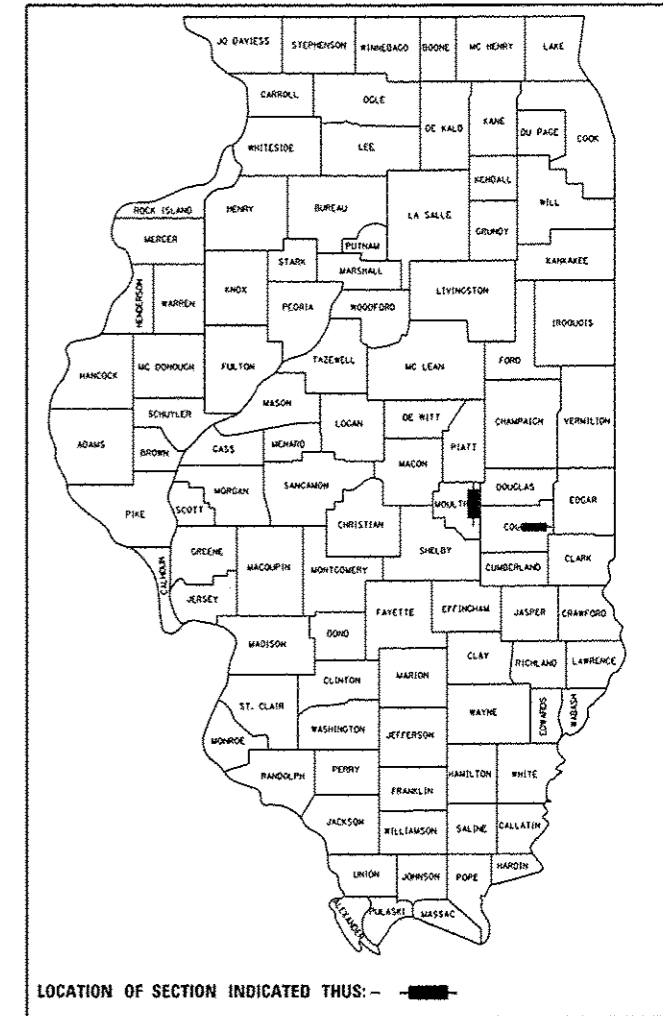
F.A.S. ROUTE 659, F.A.U. ROUTE 7620
SECTION D7 PAVT PRSV 2016-2

**SURFACE TREATMENT A1 & A2
MOULTRIE, COLES COUNTY**

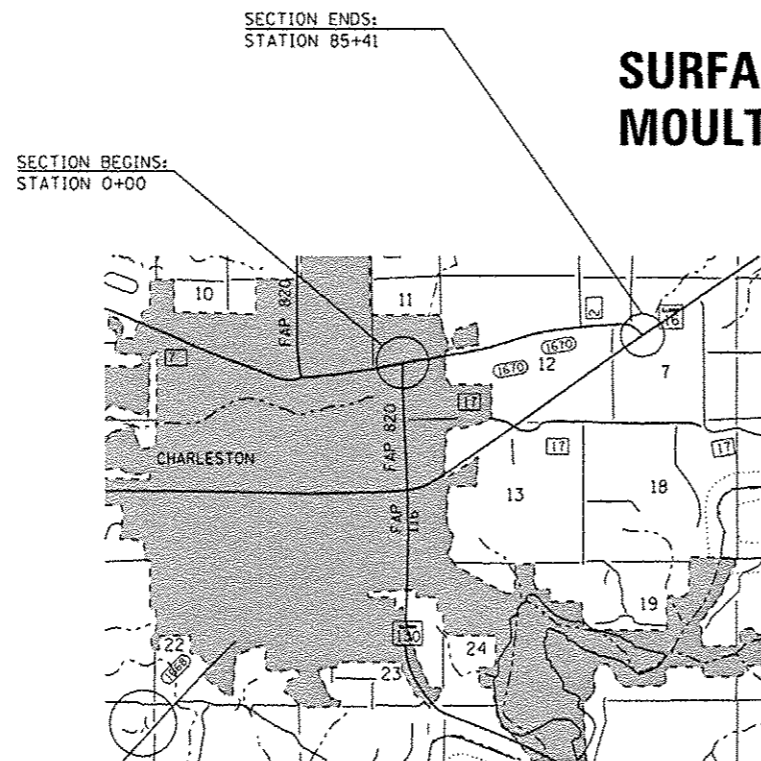
FOR INDEX OF SHEETS, SEE SHEET NO. 2

F.A. RTE.	SECTION	COUNTY	TOTAL SHEETS	SHEET NO.
**	*	ILLINOIS	5	1
CONTRACT NO. 74745				

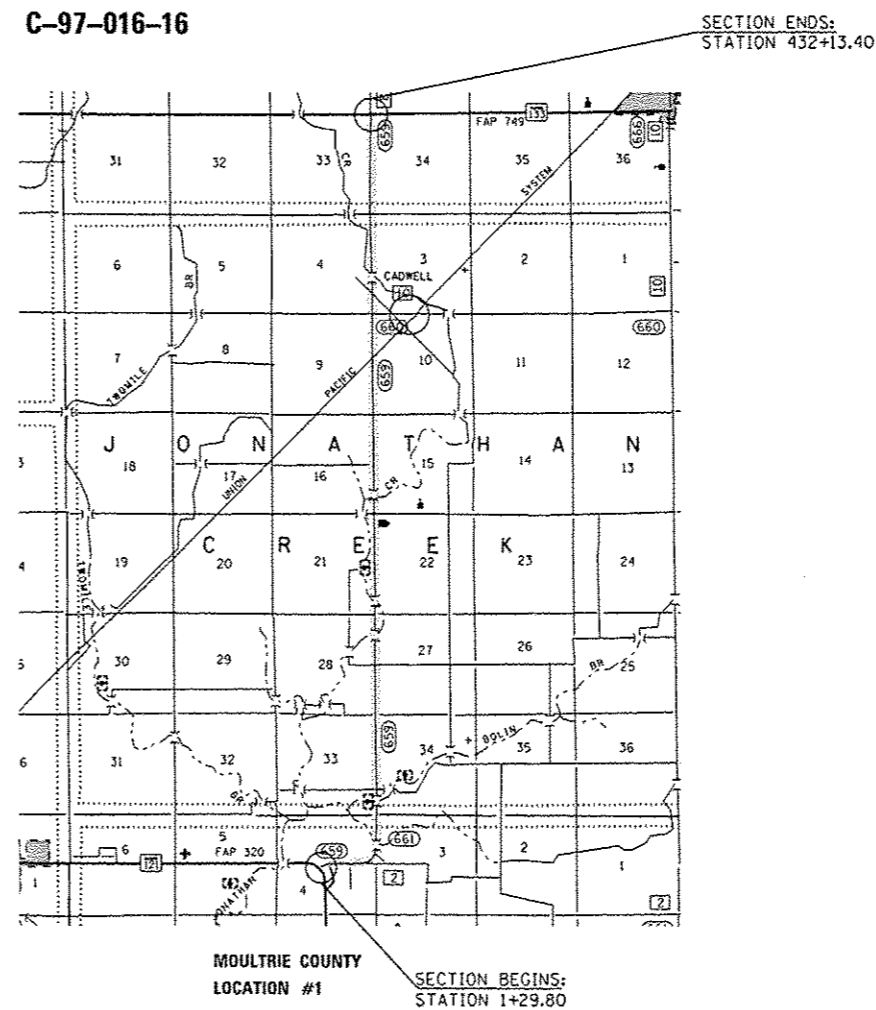
D7 PVT PRSV 2016-2
** MOULTRIE & COLES
* FAS 659, FAU 7620
D-97-009-16



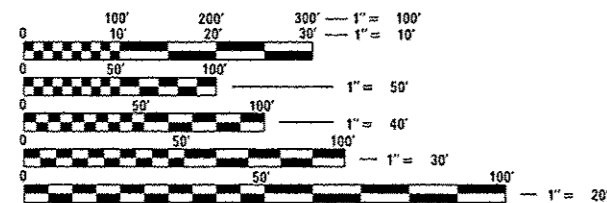
ADT = 2,550 LOCATION #1
ADT = 1,350 LOCATION #2



COLES COUNTY
LOCATION #2



MOULTRIE COUNTY
LOCATION #1



FULL SIZE PLANS HAVE BEEN PREPARED USING STANDARD ENGINEERING SCALES. REDUCED SIZED PLANS WILL NOT CONFORM TO STANDARD SCALES. IN MAKING MEASUREMENTS ON REDUCED PLANS, THE ABOVE SCALES MAY BE USED.

J.U.L.I.E.
JOINT UTILITY LOCATION INFORMATION FOR EXCAVATION
1-800-892-0123
OR 811

PROJECT ENGINEER MARK DAUGHERTY
PROJECT MANAGER EDWIN TIPSWORD

CONTRACT NO. 74745

GROSS LENGTH = 52,377.6 FT. = 9.92 MILE
NET LENGTH = 51,497.0 FT. = 9.75 MILE

STATE OF ILLINOIS
DEPARTMENT OF TRANSPORTATION
DIVISION OF HIGHWAYS

SUBMITTED FEBRUARY 5, 2016
Roger L. Orishell, P.E.
DEPUTY DIRECTOR OF HIGHWAYS, REGION ENGINEER

March 13, 2016
Maureen M. Addis, P.E.
ENGINEER OF DESIGN AND ENVIRONMENT

March 18, 2016
Cher O'Shea, P.E.
DIRECTOR OF HIGHWAYS, CHIEF ENGINEER

**PRINTED BY THE AUTHORITY
OF THE STATE OF ILLINOIS**

INDEX OF SHEETS

SHEET NO.	DESCRIPTION
1	COVER SHEET
2	INDEX OF SHEETS & GENERAL NOTES
3	SUMMARY OF QUANTITIES
4	TYPICAL SECTIONS
5	LOCATION MAP CADWELL ROAD
6	LOCATION MAP OLD IL 316
7	SCHEDULE OF QUANTITIES
8	TYPICAL RUMBLE STRIP APPLICATION

THE FOLLOWING STANDARDS ARE A PART OF THESE PLANS AND ARE INCLUDED FOLLOWING SHEET NUMBER 8

701001-02	OFF-ROAD OPERATIONS, 2L, 2W, MORE THAN 15' AWAY
701006-05	OFF-ROAD OPERATIONS, 2L, 2W, 15' TO 24" FROM PAVEMENT EDGE
701301-04	LANE CLOSURE, 2L, 2W, SHORT TIME OPERATIONS
701306-03	LANE CLOSURE, 2L, 2W, SLOW MOVING OPERATIONS DAY ONLY, FOR SPEEDS >= 45 MPH
701311-03	LANE CLOSURE, 2L, 2W, MOVING OPERATIONS - DAY ONLY
701901-05	TRAFFIC CONTROL DEVICES
780001-05	TYPICAL PAVEMENT MARKINGS

GENERAL NOTES

THIS SECTION SHALL BE CONSTRUCTED IN ACCORDANCE WITH THE PLANS; THE "STANDARD SPECIFICATIONS FOR ROAD AND BRIDGE CONSTRUCTION" ADOPTED APRIL 1, 2016; THE "SUPPLEMENTAL SPECIFICATIONS AND RECURRING SPECIAL PROVISIONS" INDICATED ON THE CHECK SHEET, AND "THE SPECIAL PROVISIONS" INCLUDED IN THIS PROPOSAL.

THE PROPOSED WORK IS LOCATED ON A ROAD SEGMENT IN MOULTRIE COUNTY AND A ROAD SEGMENT IN COLES COUNTY. LOCATION 1 IS ON FAS ROUTE 659, FROM IL 121 TO IL 133. LOCATION 2 IS ON FAU ROUTE 7620 FROM PAVING JOINT EAST OF IL 130 IN CHARLESTON TO IL 16 EAST OF CHARLESTON.

ON LOCATION 2 STA. 0+00 IS THE PAVING JOINT EAST OF IL 130.

THE WORK INCLUDED IN THIS SECTION CONSISTS OF APPLYING BITUMINOUS SURFACE TREATMENT A-1 TO LOCATION 1 AND BITUMINOUS SURFACE TREATMENT A-2 TO LOCATION 2.

IT IS THE INTENT OF THE DEPARTMENT THAT THE BITUMINOUS SURFACE TREATMENT A-1 AT LOCATION 1 EXTEND 6" ONTO THE SHOULDERS TO HELP SEAL THE CONSTRUCTION JOINT BETWEEN THE PAVEMENT AND SHOULDERS. THE BITUMINOUS SURFACE TREATMENT A-1 IS TO BE OMITTED FROM AREAS WITH THERMOPLASTIC PAVEMENT MARKINGS. THE QUANTITY INCLUDED FOR THERMOPLASTIC PAVEMENT MARKING IS INTENDED TO BE USED TO REFRESH THE EXISTING MARKINGS.

A FACTOR OF 25 LB/SO YD IS USED TO FIGURE QUANTITIES FOR SEAL COAT AGGREGATE AND COVER COAT AGGREGATE IN THE A-2 SURFACE TREATMENT. A FACTOR OF 0.25 POUNDS PER SQUARE FOOT IS USED TO FIGURE QUANTITIES FOR BITUMINOUS MATERIALS (PRIME COAT). A FACTOR OF 0.35 POUNDS PER SQUARE FOOT IS USED TO FIGURE QUANTITIES FOR BITUMINOUS MATERIALS (COVER AND SEAL COATS). ACTUAL RATES SHALL BE AS DETERMINED BY THE ENGINEER.

THE QUANTITY FOR PAINT PAVEMENT MARKING LINE 4" CONSISTS OF 102,031 FEET WHITE AND 24,451 FEET YELLOW.

THE QUANTITY FOR THERMOPLASTIC PAVEMENT MARKING LETTERS AND SYMBOLS CONSISTS OF 114 SO FT OF WHITE.

THE QUANTITY FOR THERMOPLASTIC PAVEMENT MARKING LINE 4" CONSISTS OF 1974 FEET OF YELLOW.

THE QUANTITY FOR THERMOPLASTIC PAVEMENT MARKING LINE 12" CONSISTS OF 271 FEET OF YELLOW.

THE QUANTITY FOR THERMOPLASTIC PAVEMENT MARKING LINE 24" CONSISTS OF 45 FEET OF YELLOW AND 96 FEET OF WHITE.

SHORT-TERM PAVEMENT MARKING SHALL BE APPLIED AFTER COMPLETION OF THE COVER COAT AND AFTER COMPLETION OF THE SEAL COAT. SHORT-TERM PAVEMENT MARKING SHALL BE PAINT AND CONSIST OF 10' LONG CENTERLINE SKIP DASHES EVERY 40'. THE FINAL PERMANENT PAVEMENT MARKING SHALL BE APPLIED DIRECTLY OVER THE SHORT-TERM PAVEMENT MARKING.

RAISED REFLECTIVE PAVEMENT MARKERS AND SURVEY MONUMENT VAULTS SHALL BE KEPT FREE OF THE BITUMINOUS SURFACE TREATMENT. THEY SHALL BE PROTECTED BY COVERING THEM WITH A MINIMUM OF 6" X 12" OF TAPE. THE COST TO COVER THE RAISED REFLECTIVE PAVEMENT MARKERS AND SURVEY MONUMENT VAULTS WILL BE INCLUDED IN THE COST OF THE BITUMINOUS SURFACE TREATMENT (PREVENTATIVE MAINTENANCE) AND NO ADDITIONAL COMPENSATION WILL BE ALLOWED. REMOVING THE TAPE AFTER COMPLETING THE BITUMINOUS SURFACE TREATMENT IS ALSO INCLUDED IN THE COST OF THE BITUMINOUS SURFACE TREATMENT (PREVENTATIVE MAINTENANCE) AND NO ADDITIONAL COMPENSATION WILL BE ALLOWED.

FILE NAME =	USER NAME = staffennk	DESIGNED -	REVISED -	STATE OF ILLINOIS DEPARTMENT OF TRANSPORTATION	INDEX OF SHEETS & GENERAL NOTES	F.A. RTE.	SECTION	COUNTY	TOTAL SHEETS	SHEET NO.	
path: \\L084EBID\INTEG\illinois.gov\PI\DOT\DO	Documents\DOT Offices\Dist\66 7\Projects\747	DRAWN -	REVISED -			**	*	...	8	2	
	PLOT SCALE = 1/8" = 1' / in.	CHECKED -	REVISED -			CONTRACT NO. 74745					
Default	PLOT DATE = 2/5/2016	DATE -	REVISED -			ILLINOISIFIED AID PROJECT					
					SCALE:	SHEET	OF	SHEETS	STA.	TO STA.	

100% STATE

100% STATE

SUMMARY OF QUANTITIES			TOTAL QUANTITIES	CONSTRUCTION TYPE CODE	
CODE NO	ITEM	UNIT		0005 MOULTRIE COUNTY	0005 COLES COUNTY
40300200	BITUMINOUS MATERIALS (PRIME COAT)	TON	24		24
40300400	BITUMINOUS MATERIALS (COVER AND SEAL COATS)	TON	66		66
40300500	COVER COAT AGGREGATE	TON	261		261
40300600	SEAL COAT AGGREGATE	TON	261		261
67100100	MOBILIZATION	LSUM	1	0.5	0.5
70100460	TRAFFIC CONTROL AND PROTECTION, STANDARD	LSUM	1	0.5	0.5
	701306				
70300100	SHORT TERM PAVEMENT MARKING	FOOT	6000	4296	1704
* 78000100	THERMOPLASTIC PAVEMENT MARKING - LETTERS AND SYMBOLS	SQ FT	114	114	
* 78000200	THERMOPLASTIC PAVEMENT MARKING - LINE 4"	FOOT	1974	1974	
* 78000600	THERMOPLASTIC PAVEMENT MARKING - LINE 12"	FOOT	271	271	
* 78000650	THERMOPLASTIC PAVEMENT MARKING - LINE 24"	FOOT	141	141	
* 78001110	PAINT PAVEMENT MARKING - LINE 4"	FOOT	126481	104116	22365
X0326216	BITUMINOUS SURFACE TREATMENT, (PREVENTIVE MAINTENANCE)	SQ YD	118978	118978	

SUMMARY OF QUANTITIES			TOTAL QUANTITIES	CONSTRUCTION TYPE CODE	
CODE NO	ITEM	UNIT		0005 MOULTRIE COUNTY	0005 COLES COUNTY
Z0055500	RUMBLE STRIP	SQ FT	1800	1800	

* SPECIALTY ITEM

FILE NAME =	USER NAME = steffennk	DESIGNED -	REVISED -
pw\1\18846810\INTEG\illinois.gov\PW1007\NO	uments\DOT OFF\lock\District 7\Projects\747	DRAWN -	REVISED -
	PLOT SCALE = 1/8" = 100.0000' / in.	CHECKED -	REVISED -
Default	PLOT DATE = 2/5/2016	DATE -	REVISED -

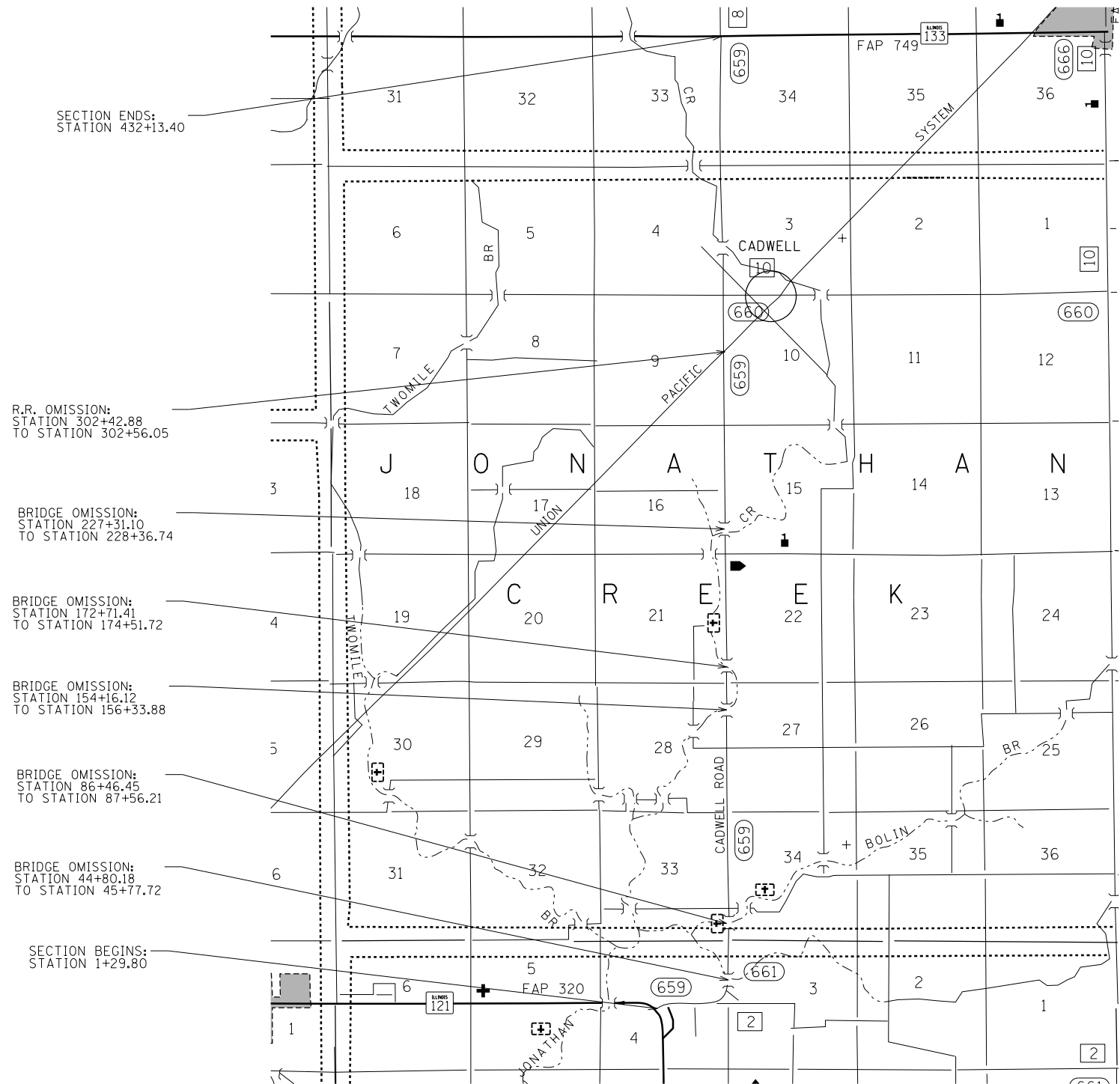
STATE OF ILLINOIS
DEPARTMENT OF TRANSPORTATION

SUMMARY OF QUANTITIES

SCALE:	SHEET	OF	SHEETS	STA.	TO	STA.	F.A. RTE.	SECTION	COUNTY	TOTAL SHEETS	SHEET NO.
							**	*	***	8	3
										CONTRACT NO. 74745	

LOCATION #1

FAS 659 (CADWELL ROAD)
FROM IL 121 TO IL 133
MOULTRIE COUNTY



FILE NAME =	USER NAME = steffenk	DESIGNED -	REVISED -
p:\IL\084EBID\INTEG\illinois.gov\PWIDOT\Documents\IDOT Offices\District 7\Projects\74745\Drawings\CAD\Sheets\0774745-shr-cover.dwg		REVISIONS	REVISIONS
Default	PLOT SCALE = 100.0000' / in.	CHECKED -	REVISED -
	PLOT DATE = 2/5/2016	DATE -	REVISED -

STATE OF ILLINOIS
DEPARTMENT OF TRANSPORTATION

LOCATION MAP
CADWELL ROAD

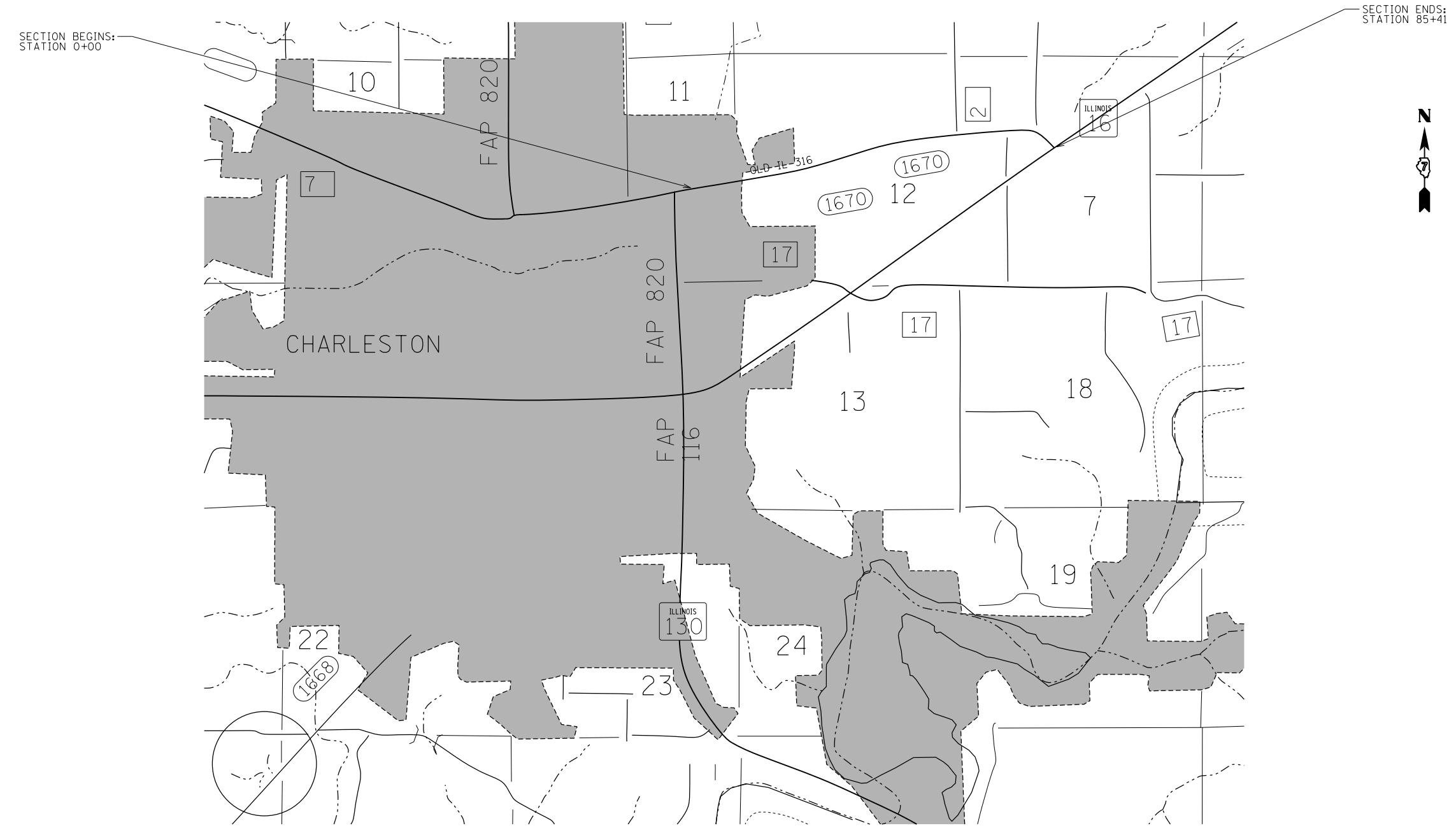
F.A. RTE.	SECTION	COUNTY	TOTAL SHEETS	SHEET NO.
	8	5
			CONTRACT NO. 74745	

SCALE: SHEET OF SHEETS STA. TO STA.

ILLINOIS FED. AID PROJECT
** FAS 659, FAU 7620 • D7 PVT PRSV 2016-2

••• MOULTRIE & COLES

LOCATION #2
 FAU 7620 (OLD IL 316)
 FROM IL 130 TO IL 16
 COLES COUNTY



FILE NAME =	USER NAME = steffenmk	DESIGNED -	REVISED -
pw:\IL\084EBIDINTEG\illinois.gov\PWIDOT\Documents\DOT Offices\District 7\Projects\7475\DRAWING\CADsheets\0774745-sht-cover.dwg		DRAWN -	REVISED -
Default	PLOT SCALE = 100.0000' / in.	CHECKED -	REVISED -
	PLOT DATE = 2/5/2016	DATE -	REVISED -

STATE OF ILLINOIS
 DEPARTMENT OF TRANSPORTATION

LOCATION MAP			
OLD IL 316			
SCALE:	SHEET	OF	SHEETS
	STA.	TO	STA.

F.A. RTE.	SECTION	COUNTY	TOTAL SHEETS	SHEET NO.
..	8	6
			CONTRACT NO. 74745	
			ILLINOIS FED. AID PROJECT	

LOCATION #1 (CADWELL ROAD)

PAVING SCHEDULE

LOCATION			LENGTH	WIDTH	BITUMINOUS SURFACE TREATMENT (PREVENTATIVE MAINTENANCE)
STATION	TO	STATION			
CADWELL ROAD (FAS 659)			FOOT	FOOT	SO YD
1+29.00	TO	7+67.62	638.62	VAR.	2866.7
7+67.62	TO	27+71.62	2004.00	25.0	5566.7
27+71.62	TO	43+51.04	1579.42	27.0	4738.3
43+51.04	TO	44+60.18	109.14	25.0	303.2
44+60.18	TO	45+77.72	117.54	BRIDGE OMISSION	
45+77.72	TO	66+46.45	2068.73	25.0	5746.5
66+46.45	TO	67+56.21	109.76	BRIDGE OMISSION	
67+56.21	TO	154+16.12	8659.91	25.0	24055.3
154+16.12	TO	155+33.66	117.54	BRIDGE OMISSION	
155+33.66	TO	172+71.41	1737.75	25.0	4827.1
172+71.41	TO	174+51.72	180.31	BRIDGE OMISSION	
174+51.72	TO	227+31.10	5279.38	25.0	14664.9
227+31.10	TO	228+36.74	105.64	BRIDGE OMISSION	
228+36.74	TO	302+42.96	7406.22	25.0	20572.8
302+42.96	TO	302+56.05	13.09	RR OMISSION	
302+56.05	TO	430+85.00	12828.95	25.0	35636.0
TOTALS			42956.00		118977.4

LOCATION	RUMBLE STRIP
CADWELL ROAD (FAS 659)	Z0055500
8+45.00	300.0
9+45.00	300.0
14+45.00	300.0
423+40.00	300.0
426+80.00	300.0
427+80.00	300.0
TOTALS	1800.0

PAVEMENT MARKING SCHEDULE

LOCATION			LENGTH	SHORT TERM PAVEMENT MARKING	THERMOPLASTIC PAVEMENT MARKING - LETTERS AND SYMBOLS	THERMOPLASTIC PAVEMENT MARKING - LINE 4"	THERMOPLASTIC PAVEMENT MARKING - LINE 12"	THERMOPLASTIC PAVEMENT MARKING - LINE 24"	PAINT PAVEMENT MARKING - LINE 4"
STATION	TO	STATION							
CADWELL ROAD (FAS 659)			FOOT	FOOT	SO FT	FOOT	FOOT	FOOT	FOOT
1+29.00	TO	5+33.00	404.00	40		1974		45	875
5+33.00	TO	11+57.00	624.00	64					2416
11+57.00	TO	20+06.00	849.00	84					1780
20+06.00	TO	31+93.00	1187.00	120					3858
31+93.00	TO	37+95.00	602.00	60					2408
37+95.00	TO	49+26.00	1131.00	112					3623
49+26.00	TO	51+31.00	205.00	20					461
51+31.00	TO	61+41.00	1010.00	100					3183
61+41.00	TO	62+57.00	116.00	12					205
62+57.00	TO	70+30.00	773.00	76					2392
70+30.00	TO	226+23.00	15593.00	1560					35029
226+23.00	TO	233+55.00	732.00	72					2239
233+55.00	TO	235+61.00	206.00	20					464
235+61.00	TO	242+68.00	707.00	72					2148
242+68.00	TO	297+80.00	5512.00	552					12402
297+80.00	TO	302+43.00	463.00	48	57			48	1505
302+43.00	TO	302+56.00	13.00	RR OMISSION					
302+56.00	TO	306+40.00	384.00	40	57			48	1248
306+40.00	TO	430+85.00	12445.00	1244					27881
TOTALS			42956.00	4296	114	1974	271	141	104116

LOCATION #2 (OLD IL 316)

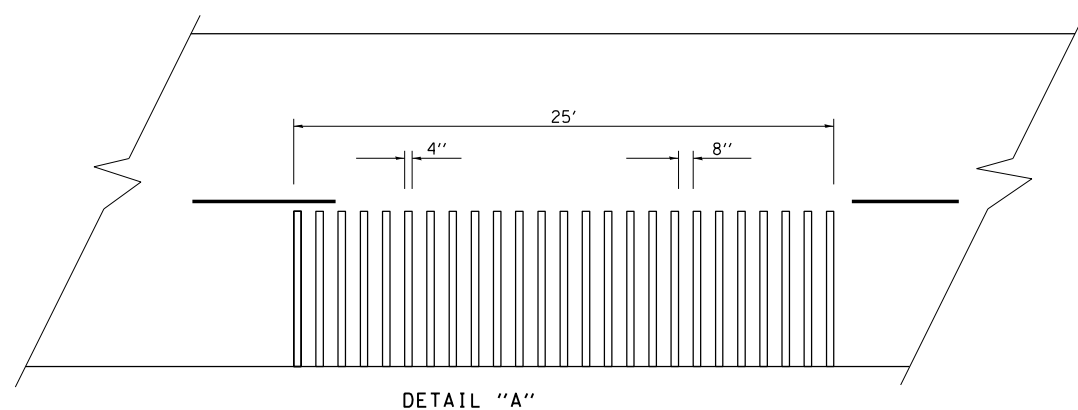
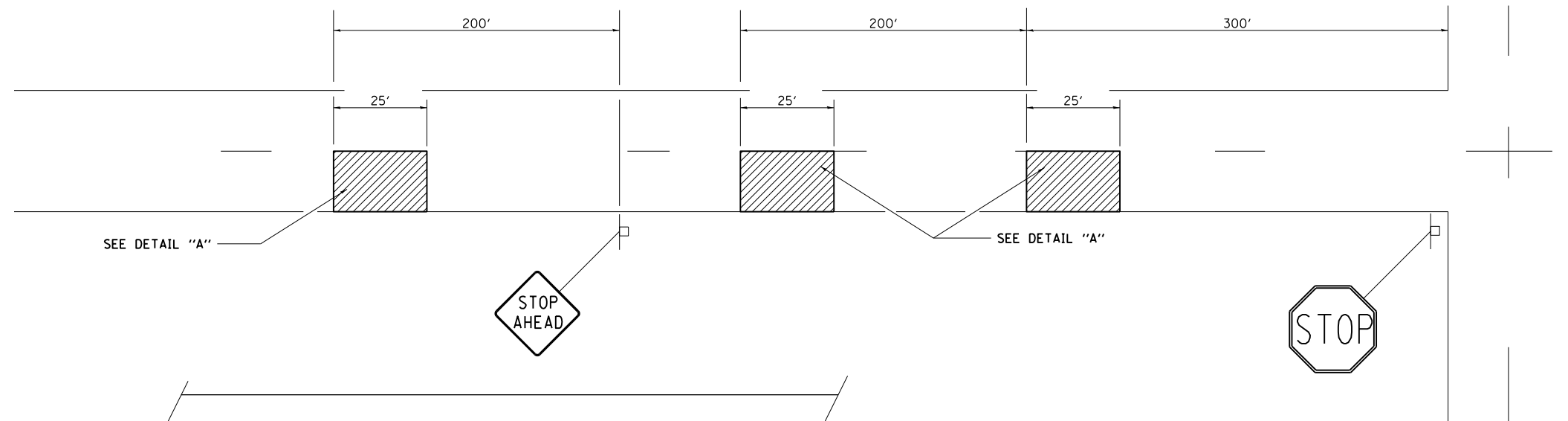
PAVING SCHEDULE

LOCATION			LENGTH	WIDTH	BITUMINOUS MATERIALS (PRIME COAT)	BITUMINOUS MATERIALS (COVER AND SEAL COATS)	COVER COAT AGGREGATE	SEAL COAT AGGREGATE
STATION	TO	STATION						
OLD IL 316 (FAU 7620)			FOOT	FOOT	TONS	TONS	TONS	TONS
0+00.00	TO	85+41.00	8541.00	22	24	66	261	261
TOTALS			8541.00	22	24	66	261	261

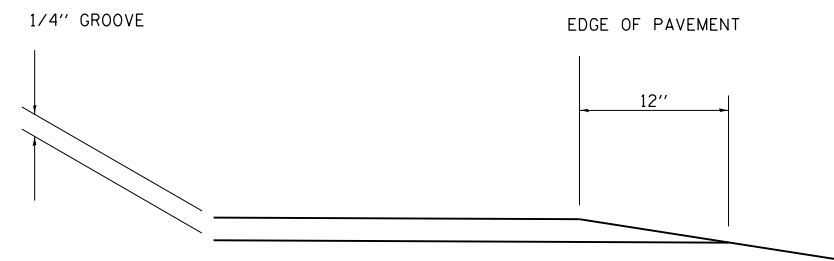
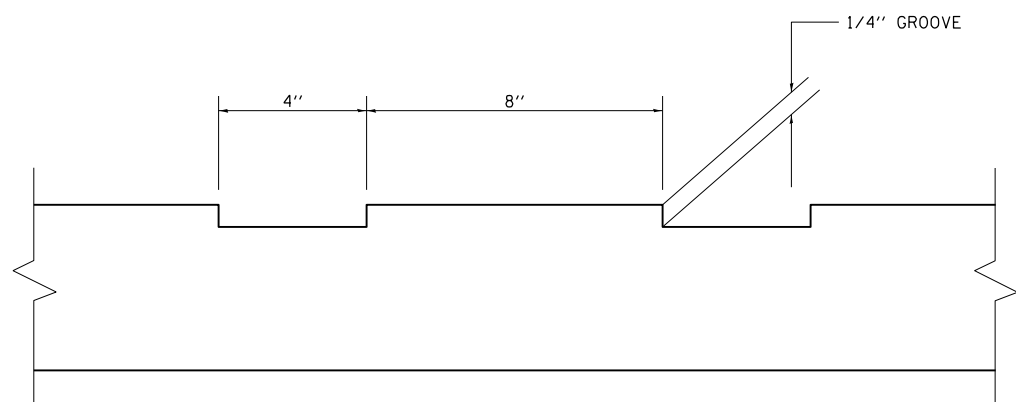
PAVEMENT MARKING SCHEDULE

LOCATION			LENGTH	PAINT PAVEMENT MARKING - LINE 4"
STATION	TO	STATION		
OLD IL 316 (FAU 7620)			FOOT	FOOT
0+00.00	TO	28+15.00	2815	6334
28+15.00	TO	37+12.00	897	2915
37+12.00	TO	39+73.00	261	587
39+73.00	TO	47+89.00	816	2652
47+89.00	TO	76+91.00	2902	6530
76+91.00	TO	80+01.00	310	1008
80+01.00	TO	84+51.00	450	1800
84+51.00	TO	85+41.00	90	540
TOTALS			8541	22365

TYPICAL RUMBLE STRIP APPLICATION IN ADVANCE OF AN INTERSECTION



NOTE: THE 25 FEET RUMBLE AREA HAS 4" WIDE GROOVES SAWED INTO THE PAVEMENT, SEPARATED BY 8" OF EXISTING PAVEMENT. THE SAW CUTS SHALL EXTEND 12" INTO THE SHOULDER TO ALLOW FOR DRAINAGE.



NOT TO SCALE

DISTRICT 7 DETAIL NO. Z0055300

FILE NAME =	USER NAME = steffenmk	DESIGNED -	REVISED - MMO 12-99
p:\11\084EBIDINTEG.illinois.gov\PIWIDOT\Documents\IDOT Offices\District 7\Projects\74745\Drawings\CAD\Drawings\74745-sht-details.dwg		DRAWN -	REVISED - MKS 04-08
	PLOT SCALE = 100.0000' / 1in.	CHECKED -	REVISED -
	PLOT DATE = 2/5/2016	DATE -	REVISED -

**STATE OF ILLINOIS
DEPARTMENT OF TRANSPORTATION**

TYPICAL RUMBLE STRIP APPLICATION

SCALE:	SHEET NO.	OF	SHEETS	STA.	TO STA.
--------	-----------	----	--------	------	---------

F.A. RTE.	SECTION	COUNTY	TOTAL SHEETS	SHEET NO.
**	*	***	8	8
FED. ROAD DIST. NO.			ILLINOIS FED. AID PROJECT	
CONTRACT NO. 74745				