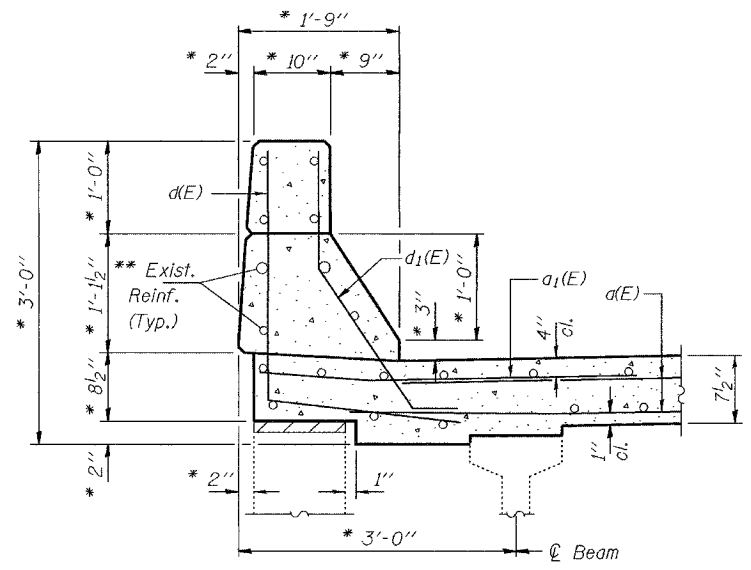
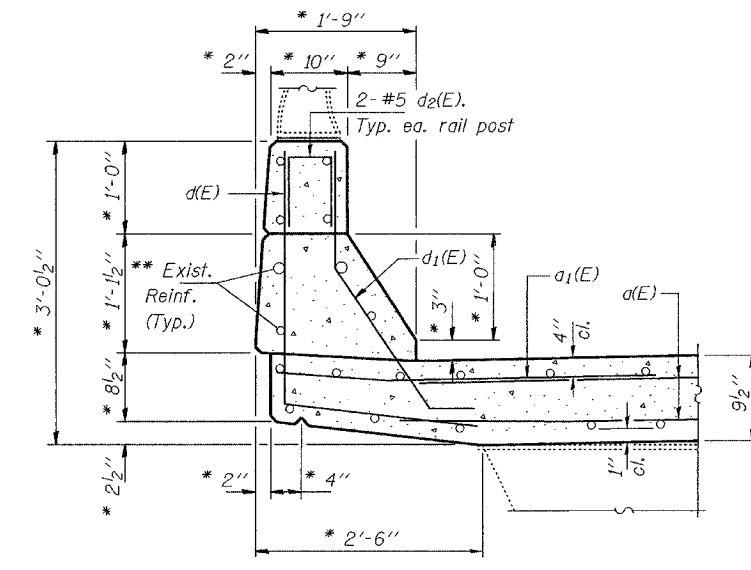


ROUTE NO.	SECTION	COUNTY	SHEET NO.	SHEET
F.A.I. 57	(02-1B)I	ALEXANDER	14	17
FED. ROAD DIST. NO. 7	ILLINOIS	FED. AID PROJECT-		

SHEET NO. 10
13 SHEETS

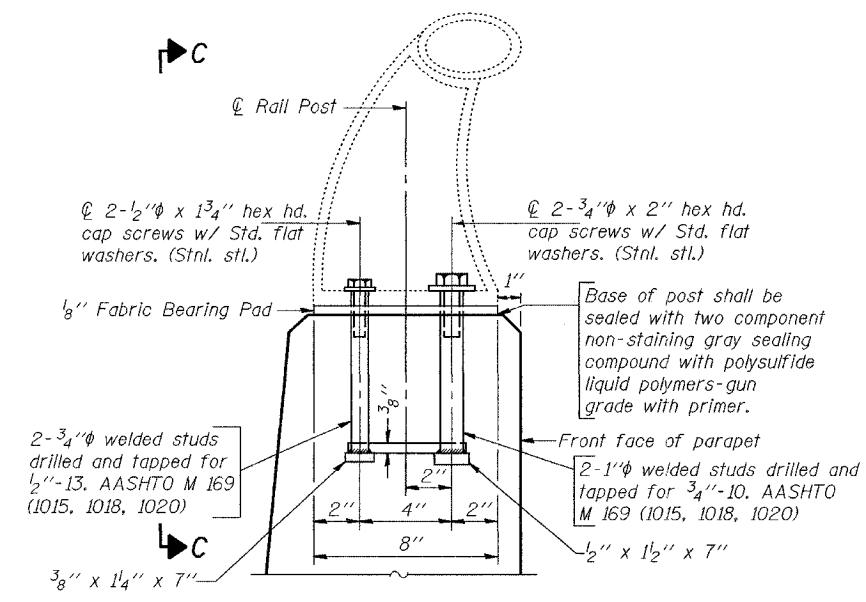


SECTION THRU PARAPET
(Approach side)

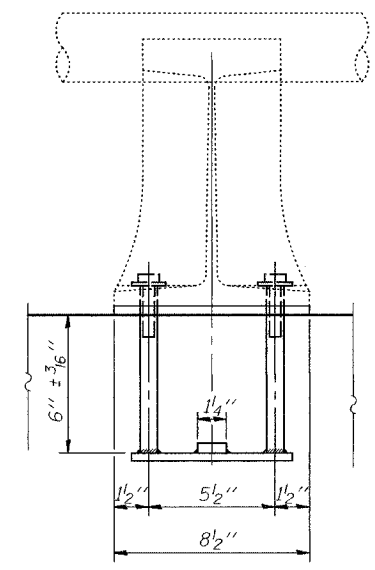


* Field verify.
(Match existing.)

SECTION THRU PARAPET
(Span 1 side)



RAIL POST ANCHOR DETAIL
(4 Required)



VIEW C-C

As an alternate, threaded anchor rods may be epoxy grouted in drilled holes in accordance with Section 584 of the Standard Specifications.

DESIGNED	JSB
CHECKED	ATH
DRAWN	baliva
CHECKED	JSB ATH

MARCH 8, 2004
 EXAMINED *John A. Morris*
 ENGINEER OF STRUCTURAL SERVICES
 PASSED
 ENGINEER OF BRIDGES AND STRUCTURES

PARAPET & RAILING DETAILS
NORTH ABUTMENT
I-57 OVER CACHE RIVER
F.A.I. RTE. 57 - SEC. (02-1B)I
ALEXANDER COUNTY
STATION 943+72.00
SN 002-0003 (NB) & 002-0004 (SB)