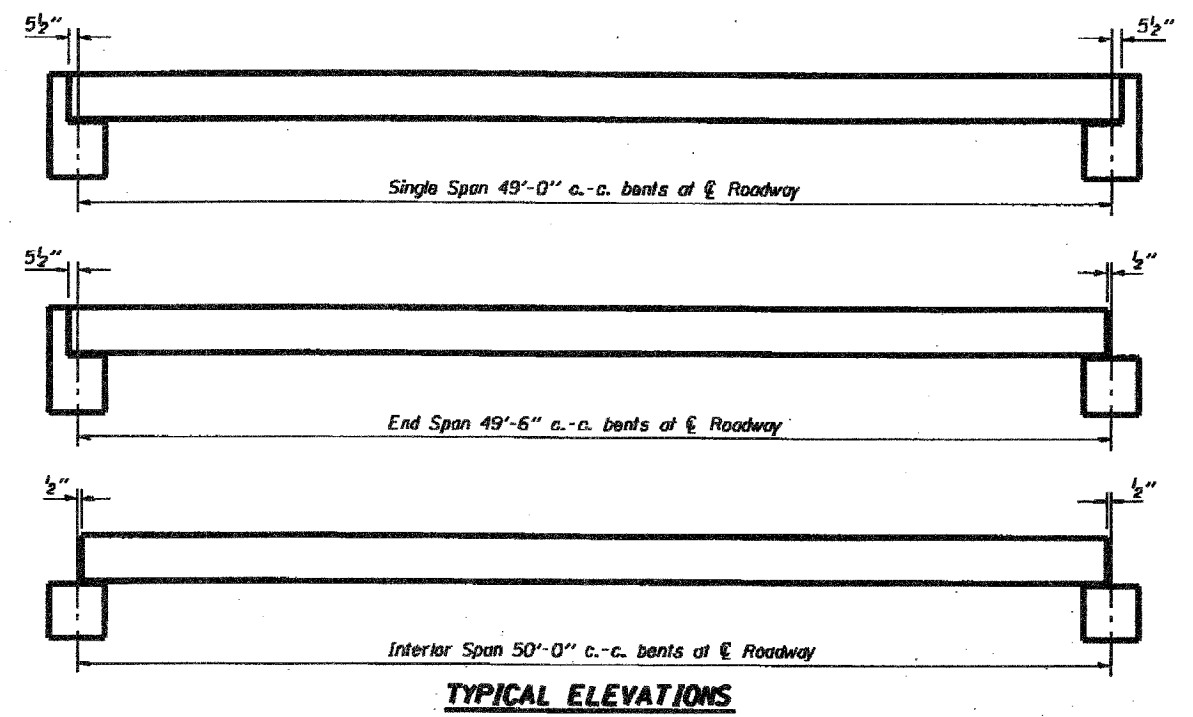
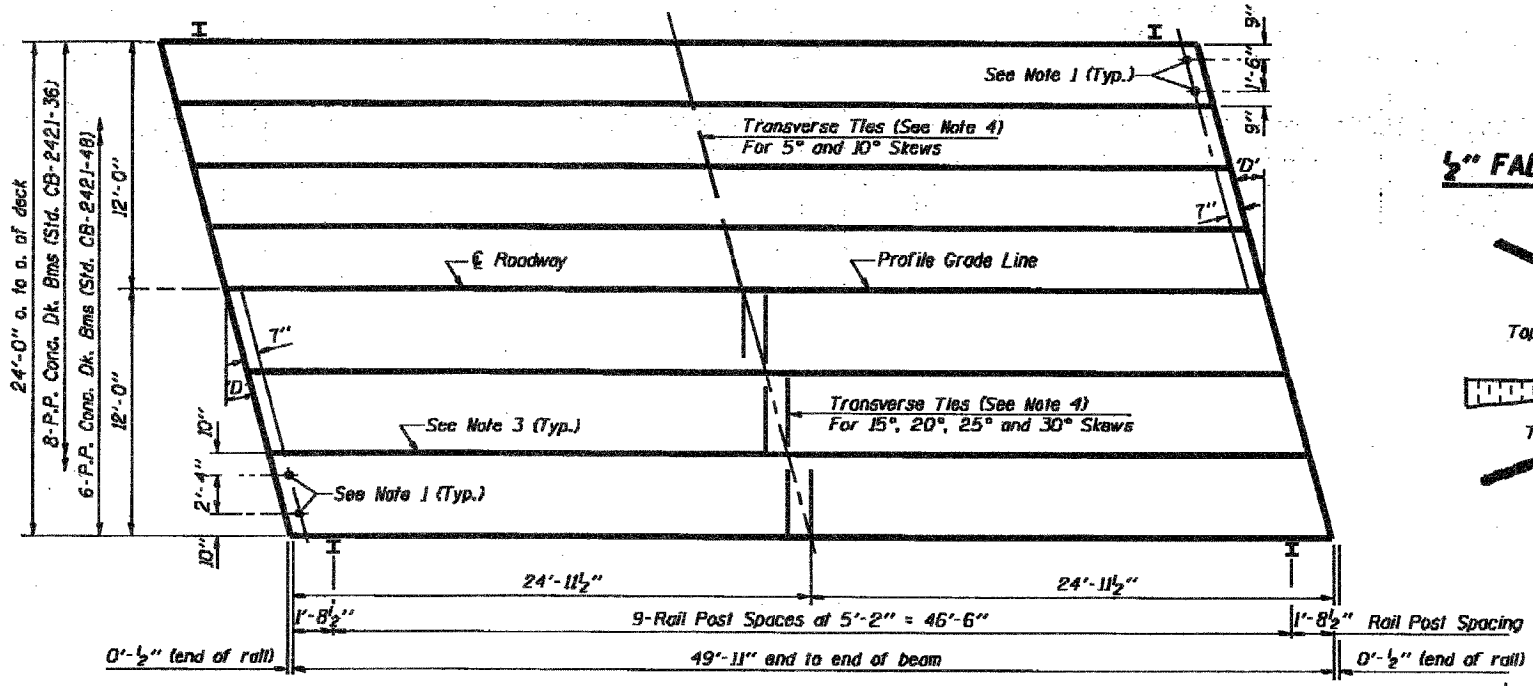


ROUTE	SECTION	COUNTY	TOTAL SHEETS	SHEET NO.
I.R. 200	01-16117-00-BR	JACKSON	15	7

FED PROJ. BROS-077(35)



TYPICAL ELEVATIONS

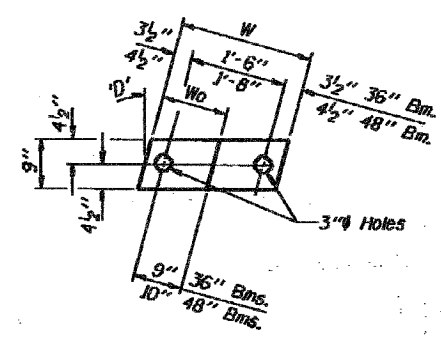
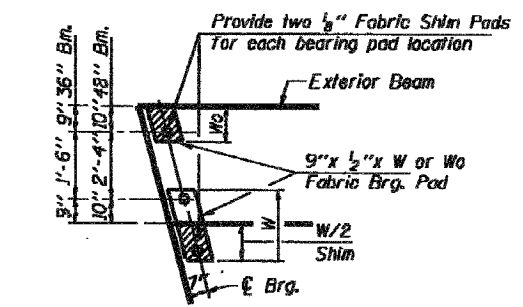


PLAN

("D" = Designated Skew Angle)

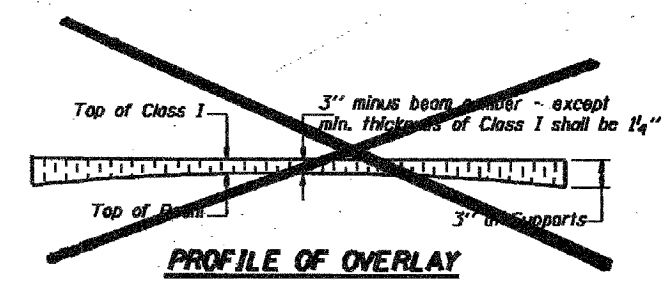
NOTES

1. After beams have been erected, holes shall be drilled into substructure and anchor dowels placed. Dowel holes shall be filled with non-shrink grout to top of beam and allowed to cure min. 24 hrs. prior to grouting the shear keys.
2. Nominal 1" joint at centerline of pier shall be filled with non-shrink grout.
3. Longitudinal keys shall be grouted.
4. The 1" rods in the transverse tie assembly shall be tightened to a snug fit and the threads set. Pockets that receive transverse tie bar outside shall be filled with grout after transverse tie assembly is in place.

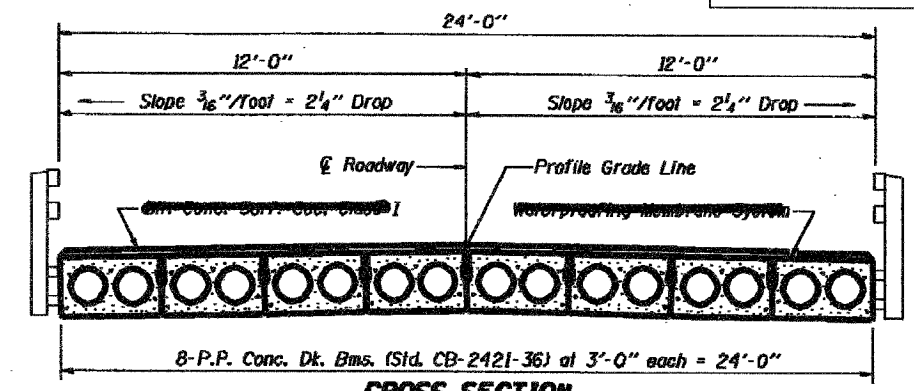


Beam	W	W0
36"	2'-1"	1'-0 1/2"
48"	2'-5"	1'-2 1/2"

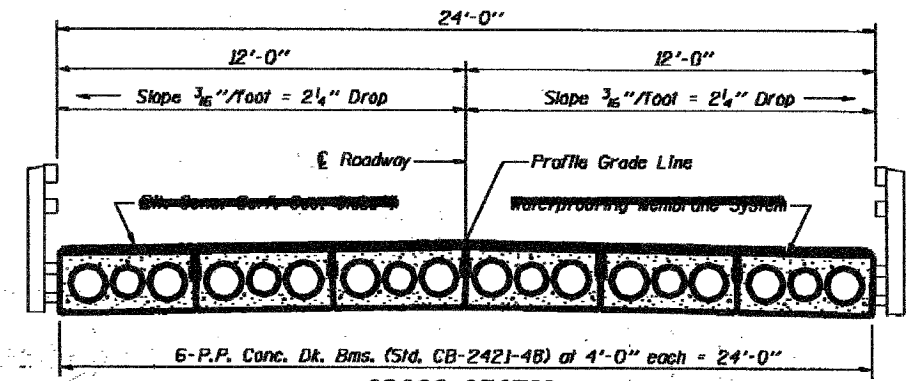
1/2" FABRIC BRG. PAD DETAILS



PROFILE OF OVERLAY



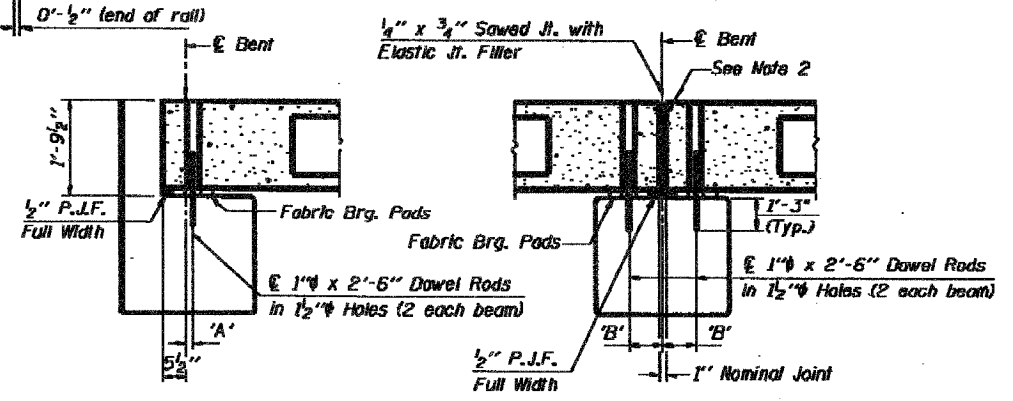
CROSS SECTION



CROSS SECTION

DIMENSIONS 'A' AND 'B'

"D"	5°	10°	15°	20°	25°	30°
A	15"	15"	15"	15"	15"	15"
B	7 1/2"	7 1/2"	7 1/2"	7 1/2"	7 1/2"	7 1/2"



SECTION AT ABUTS
(Along centerline of Beams)

SECTION AT PIERS
(Along centerline of Beams)

QUANTITIES FOR ONE SPAN

P.P. Conc. Dk. Bm. 21" Dp.	1200 Sq. Ft.
Steel Railings	100 Ft.
Waterproofing Membrane System	1200 Sq. Ft.

P.P.C. DECK BEAM SUPERSTRUCTURE

24' RDWY.	21" BMS.	50' SPAN	RIGHT
-----------	----------	----------	-------

STANDARD CS-2421-50R

Illinois Department of Transportation

PASSED NOVEMBER 1, 1995

David D. Hagan
Engineer of Bridge Design

APPROVED NOVEMBER 1, 1995

Robert E. Anderson
Engineer of Bridges and Structures