

CONSTRUCTION AND SAFETY NOTES

SEQUENCE OF CONSTRUCTION

TO MINIMIZE DISRUPTIONS TO AIRPORT OPERATIONS, CONSTRUCTION OPERATIONS MUST BE CONTROLLED THROUGHOUT THE PROJECT'S DURATION AND WORK MUST BE COMPLETED EXPEDITIOUSLY. THE CONTRACTOR IS TO EITHER FOLLOW THE CONSTRUCTION STAGING PLAN PROVIDED OR PREPARE AND FOLLOW AN ALTERNATIVE STAGING PLAN THAT MEETS PLAN REQUIREMENTS. THE ALTERNATE STAGING PLAN MUST BE SATISFACTORY TO THE PROJECT ENGINEER AND THE AIRPORT OWNER. THE CONTRACTOR SHALL EXPEDITE WORK AT THOSE STAGES OR PORTIONS OF STAGES WHEN ACTIVE RUNWAYS, TAXIWAYS, APRONS, ROADWAYS OR PARKING LOTS MUST BE CLOSED OR REDUCED IN SIZE TO MINIMIZE THE LENGTH OF TIME THAT AIRPORT OPERATIONS ARE RESTRICTED.

LATHING AND WARNING TAPE

THE PROJECT WILL REQUIRE THE PLACEMENT OF LATHING AND WARNING TAPE TO DELINEATE THE CONSTRUCTION AREA. IT SHALL BE THE CONTRACTOR'S RESPONSIBILITY TO PROVIDE, PLACE AND MAINTAIN LATHING AND WARNING TAPE AS SHOWN ON THE CONSTRUCTION STAGING PLAN, AND DETAIL A, THIS SHEET, AND AS DIRECTED BY THE RESIDENT ENGINEER AND THE AIRPORT OWNER. THE CONTRACTOR WILL FURNISH, PLACE, MAINTAIN AND RELOCATE THE LATHING AND WARNING TAPE AS REQUIRED. THE COST OF THESE ITEMS, AND THEIR MAINTENANCE, IS TO BE INCIDENTAL TO THE CONTRACT.

RUNWAY CLOSURE

THE PROJECT WILL REQUIRE THE PLACEMENT OF RUNWAY CLOSURE MARKINGS, SEE STAGING PLAN. TO MINIMIZE DISRUPTION TO AIRCRAFT OPERATIONS ASSOCIATED WITH THE RUNWAY CLOSURE, CONSTRUCTION WORK MUST BE COMPLETED EXPEDITIOUSLY. RUNWAY CLOSINGS SHALL ONLY BE PERMITTED BY PRIOR AUTHORIZATION OF THE RESIDENT ENGINEER AND THE AIRPORT OWNER.

IT WILL BE THE CONTRACTOR'S RESPONSIBILITY TO PROVIDE, INSTALL AND MAINTAIN RUNWAY CLOSURE MARKERS AT THE LOCATIONS SHOWN IN THE STAGING PLAN, SEE DETAIL C, THIS SHEET, AND AS DIRECTED BY THE RESIDENT ENGINEER AND AIRPORT OWNER. THE COST OF FURNISHING, PLACING AND RELOCATING THESE ITEMS, AND THEIR MAINTENANCE, IS TO BE INCLUDED IN ITEM AR800932.

THE AIRPORT OWNER WILL DE-ENERGIZE AIRFIELD LIGHTING, NAVAID AND ROTATING BEACON POWER AND CONTROL CIRCUITS WHEN THE RUNWAY IS CLOSED.

TEMPORARY BARRICADES ON AIRFIELD

THE PROJECT WILL ALSO REQUIRE THE OCCASIONAL, TEMPORARY CLOSING OF SEGMENTS OF ACTIVE TAXIWAYS AND APRONS. AIRFIELD BARRICADES WILL BE REQUIRED FOR ALL TAXIWAY AND APRON CLOSURES. TO MINIMIZE DISRUPTION TO AIRCRAFT OPERATIONS ASSOCIATED WITH THESE REQUIREMENTS, CONSTRUCTION WORK MUST BE COMPLETED EXPEDITIOUSLY.

OPEN TRENCHES, EXCAVATIONS AND STOCKPILED MATERIAL AT THE CONSTRUCTION SITE SHALL ALSO BE DELINEATED WITH THE USE OF BARRICADES DURING HOURS OF RESTRICTED VISIBILITY AND/OR DARKNESS.

IT WILL BE THE CONTRACTOR'S RESPONSIBILITY TO FURNISH, PLACE AND MAINTAIN BARRICADES AS SHOWN IN THE STAGING PLAN, AND DETAIL B, THIS SHEET, AND AS DIRECTED BY THE RESIDENT ENGINEER AND AIRPORT OWNER. THE COST OF THESE ITEMS, AND THEIR MAINTENANCE, IS TO BE INCIDENTAL TO THE CONTRACT.

AIRFIELD OPERATIONAL SAFETY DURING CONSTRUCTION

ALL CONSTRUCTION TRAFFIC AND PERSONNEL SHALL REMAIN WITHIN THE CONSTRUCTION LIMIT LINE SHOWN ON THE STAGING PLAN FOR THE STAGE CURRENTLY UNDER CONSTRUCTION. CONTRACTOR'S PERSONNEL AND EQUIPMENT MUST REMAIN AT LEAST 125 FEET FROM THE CENTERLINE OF ACTIVE RUNWAYS, 700 FEET FROM THE END OF ACTIVE RUNWAYS (500 FEET IF STAGED CONSTRUCTION DISPLACEMENT IS IMPLEMENTED), 65 FEET FROM THE CENTERLINE OF ACTIVE TAXIWAYS, AND 10 FEET FROM THE EDGE OF ACTIVE APRONS.

WHEN IT IS NECESSARY FOR CONSTRUCTION VEHICLES TO OPERATE ON OR WITHIN THESE LIMITS, THE RUNWAY, TAXIWAYS OR APRON MUST BE CLOSED. THE CONTRACTOR WILL PROVIDE POSITIVE CONTROL OF CONSTRUCTION VEHICLES USING RADIO-EQUIPPED FLAGGERS. ALL CONTRACTOR'S EQUIPMENT USED IN ACTIVE AIRPORT OPERATIONS AREAS SHALL BE EQUIPPED WITH A FAA-STANDARD FLAG, AS REFERENCED IN FAA AC 150/5370-2, CURRENT ISSUE. AIRCRAFT SHALL HAVE THE RIGHT-OF-WAY. CONSTRUCTION VEHICLES SHALL NOT CROSS AN ACTIVE RUNWAY. THE COST OF ALL TRAFFIC CONTROL, BOTH WITHIN AND OUTSIDE OF AIRPORT OPERATIONS AREAS, IS TO BE INCIDENTAL TO THE CONTRACT.

WHEN NOT IN USE AND DURING NONWORKING HOURS, CONTRACTOR'S EQUIPMENT SHALL BE PARKED WITHIN THE CONTRACTOR'S EQUIPMENT STORAGE AND PARKING AREAS. THE EQUIPMENT STORAGE AND PARKING AREAS ARE TO BE LOCATED AS SHOWN ON THE STAGING PLAN. THE CONTRACTOR WILL BE RESPONSIBLE FOR MAINTAINING THE CONSTRUCTION ENTRANCE IN GOOD CONDITION. THE COST OF MAINTAINING THE CONSTRUCTION ENTRANCE IS TO BE INCIDENTAL TO THE CONTRACT.

AT NO TIME SHALL THE CONTRACTOR OPERATE OR PARK EQUIPMENT SO AS TO OBSTRUCT AN ACTIVE RUNWAY APPROACH SURFACE.

BEFORE REOPENING TEMPORARILY CLOSED RUNWAYS, TAXIWAYS OR ROADWAYS, THE CONTRACTOR SHALL INSPECT AND CLEAN, AS NECESSARY, THE PAVEMENT TO ASSURE THAT NO MATERIALS OR OBJECTS THAT MAY DAMAGE AIRCRAFT OR VEHICLES REMAIN. ANY REQUIRED CLEANING SHALL BE TO THE SATISFACTION OF THE RESIDENT ENGINEER AND AIRPORT OWNER AND IS INCIDENTAL TO THE CONTRACT.

NOTIFICATIONS BY CONTRACTOR

THE CONTRACTOR SHALL NOTIFY THE RESIDENT ENGINEER AND AIRPORT OWNER 7 DAYS IN ADVANCE OF THE CONTRACTOR'S CLOSING OF ACTIVE RUNWAYS, TAXIWAYS AND APRONS. THE DATE, TIME AND SCHEDULED DURATION OF THE CLOSING MUST BE APPROVED BY THE RESIDENT ENGINEER AND THE AIRPORT OWNER. THE CONTRACTOR SHALL NOTIFY THE RESIDENT ENGINEER AND AIRPORT OWNER 72 HOURS IN ADVANCE OF THE CONTRACTOR'S CLOSING OF OTHER ACTIVE ROADWAYS, AIRFIELD OR ROADWAY LIGHTING CIRCUITS, OR OTHER AIRPORT FACILITIES.

CONTRACTOR'S USE OF SITE

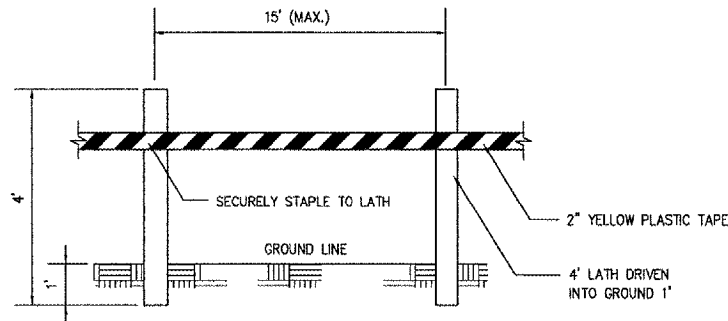
THE CONTRACTOR SHALL NOT OPERATE WITHIN, ENCRUCH UPON OR OBSTRUCT AIRPORT OPERATIONAL AREAS, INCLUDING ACTIVE RUNWAY, TAXIWAYS AND APRON SAFETY AREAS, OBJECT AND OBSTACLE FREE ZONES, RUNWAY PROTECTION ZONES AND AIRPORT IMAGINARY SURFACES AS DEFINED IN FEDERAL AVIATION REGULATIONS (FAR) PART 77, "OBJECTS AFFECTING NAVIGABLE AIRSPACE".

UTILITY OUTAGES AND SHUTDOWNS

THE CONTRACTOR SHALL PROVIDE 72 HOURS PRIOR NOTICE OF ANY OUTAGES OR SHUTDOWNS TO THE OWNER AND THE AGENCY OWNING THE AFFECTED UTILITY. THE CONTRACTOR SHALL PROVIDE ANY TEMPORARY CONNECTIONS OR OTHER MEASURES AS MAY BE REQUIRED TO MAINTAIN SERVICE AS MAY BE REQUIRED BY THE OWNING AGENCY AT NO COST TO THE OWNER.

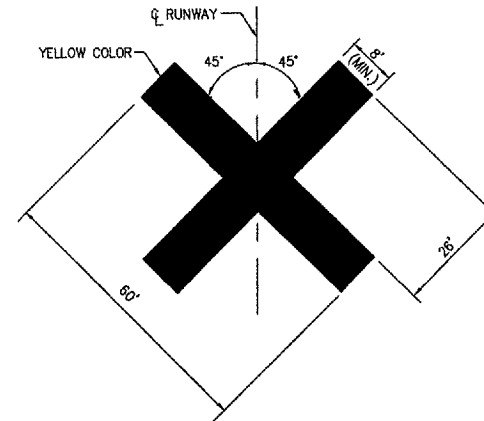
AVAILABLE SOIL DATA

DETAILED SOIL TEST MATERIAL FOR THE APRON AREA IS AVAILABLE UPON REQUEST. PAVEMENT CORE INFORMATION IS AVAILABLE FOR THE RUNWAY PAVEMENTS UPON REQUEST. BORING AND CORING INFORMATION AND INFORMATION ON SOIL TESTS IS MADE AVAILABLE SOLELY FOR THE CONVENIENCE OF THE BIDDER AND/OR CONTRACTOR. NEITHER THE OWNER NOR THE PROJECT ENGINEER ASSUMES ANY RESPONSIBILITY WHATSOEVER IN RESPECT TO THE ACCURACY OR SUFFICIENCY OF THE AVAILABLE INFORMATION AND THERE IS NO EXPRESSED OR IMPLIED GUARANTEE THAT THE CONDITIONS DESCRIBED IN THE SOIL TEST DATA ARE REPRESENTATIVE OF ALL CONDITIONS THAT MAY BE ENCOUNTERED.



MATERIALS ARE TO BE APPROVED BY ENGINEER PRIOR TO INSTALLATION. COST OF MATERIALS, INSTALLATION, RELOCATION AND MAINTENANCE OF LATHING AND WARNING TAPE IS TO BE INCIDENTAL TO THE CONTRACT.

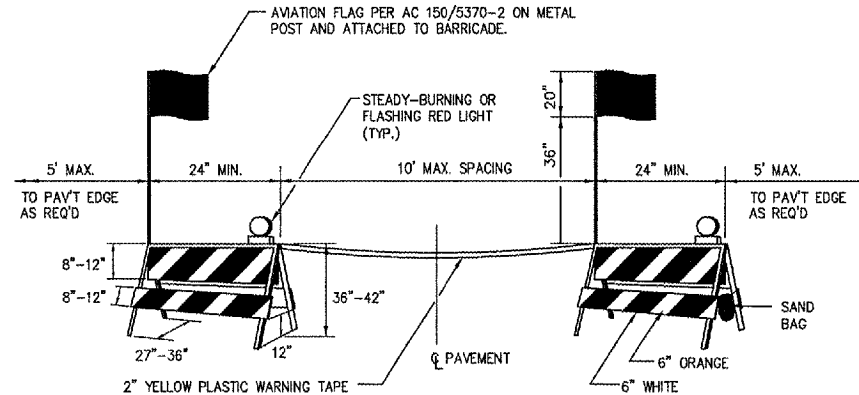
DETAIL A
LATHING AND WARNING TAPE



NOTES

- THE MARKERS ARE TO BE OF A PERMANENT TYPE, CONSTRUCTED OF VINYL OR OTHER LIGHTWEIGHT DURABLE MATERIAL AS MANUFACTURED BY NEUBERT AERO CORP ITEM TS-100 OR EQUAL. ONE SET OF TWO MARKERS WITH MATCHING STORAGE BAG SHALL BE FURNISHED.
NEUBERT AERO CORP
4105 W. DELLEON ST.
TAMPA, FL 33609-3851
PHONE: 727-789-8922
FAX: 727-789-2015
SERROT PAVING PRODUCTS
4439 TOWN CENTER PLACE
KINGWOOD, TX 77339
PHONE: 281-360-6281
FAX: 281-360-9180
- THE MARKERS ARE TO BECOME THE PROPERTY OF THE AIRPORT UPON COMPLETION OF THE PROJECT.
- CONTRACTOR SHALL LOCATE THE MARKERS ON TOP OF THE RUNWAY NUMERALS DURING CLOSURE OF THE RUNWAY.
- MARKERS TO BE SECURED BY CONTRACTOR AS RECOMMENDED BY MANUFACTURER.
- COST OF FURNISHING, INSTALLING, RELOCATING AND MAINTAINING MARKERS SHALL BE PAID UNDER ITEM AR800932 (SEE SPECIAL PROVISIONS).

DETAIL C
TEMPORRILY CLOSED RUNWAY MARKER



BARRICADES ARE TO BE OF IDOT TYPE I. A STEADY-BURNING OR FLASHING RED LIGHT FACING PASSING TRAFFIC IS TO BE MOUNTED ABOVE THE TOP OF EACH BARRICADE FRAME. THE BARRICADE IS TO BE STABILIZED FROM WIND BY SANDBAGS PLACED ON THE FRAME OR OTHER METHODS APPROVED BY THE RESIDENT ENGINEER. NO PART OF THE REFLECTORIZED PORTION OF THE BARRICADE IS TO BE OBSTRUCTED IN ANY MANNER. COST OF FURNISHING, INSTALLING, RELOCATING AND MAINTAINING BARRICADES IS TO BE INCIDENTAL TO THE CONTRACT.

DETAIL B
PAVEMENT BARRICADES



HANSON PROFESSIONAL SERVICES INC.

815 Commerce Drive Suite 200
Oak Brook, Illinois 60523
Telephone: 630.990.3800
Fax: 630.990.3801



CITY OF DIXON, ILLINOIS

Post Office Box 386
Dixon, Illinois 61021
Telephone: 815.288.1485

DIXON MUNICIPAL AIRPORT
CHARLES R. WALGREEN FIELD
OVERLAY RUNWAY 8-26,
REHABILITATE HANGAR PAVEMENTS

AIP PROJECT NO. 3-17-0036-B5
IDA PROJECT NO. C73-3313

No.	Drawing	Issue	Description	Date	By

Date
12 MARCH 2004

Sheet Title

CONSTRUCTION AND SAFETY NOTES AND DETAILS

84303B8004/C8005
Project Number
TMM 01/30/04
Layout By Date
TMM 01/30/04
Designed By Date
RMH 03/05/04
Reviewed By Date
RJT --- ---
Drawn By Sheet No.

DETAILS SHOWN ARE NOT TO SCALE

A:\03\005\0004\10\BROOM DRAWINGS\04-SAFETY NOTES.DWG MAR 12 2004 8:39AM RJT