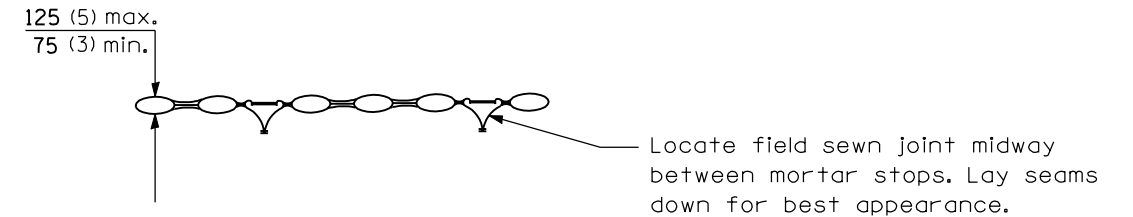
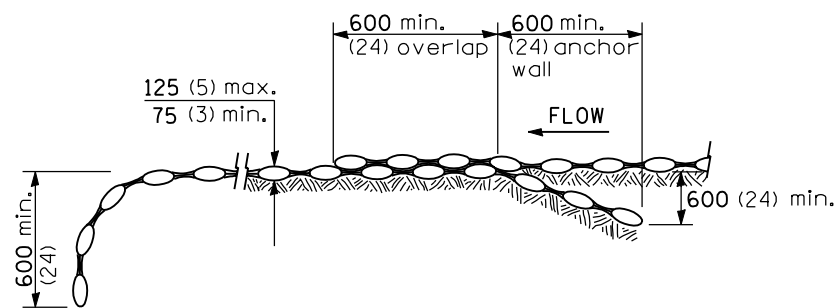


TYPICAL FABRIC FORMED CONCRETE REVETMENT MAT LINED DITCH

* 1.5 min.
6.0 max.

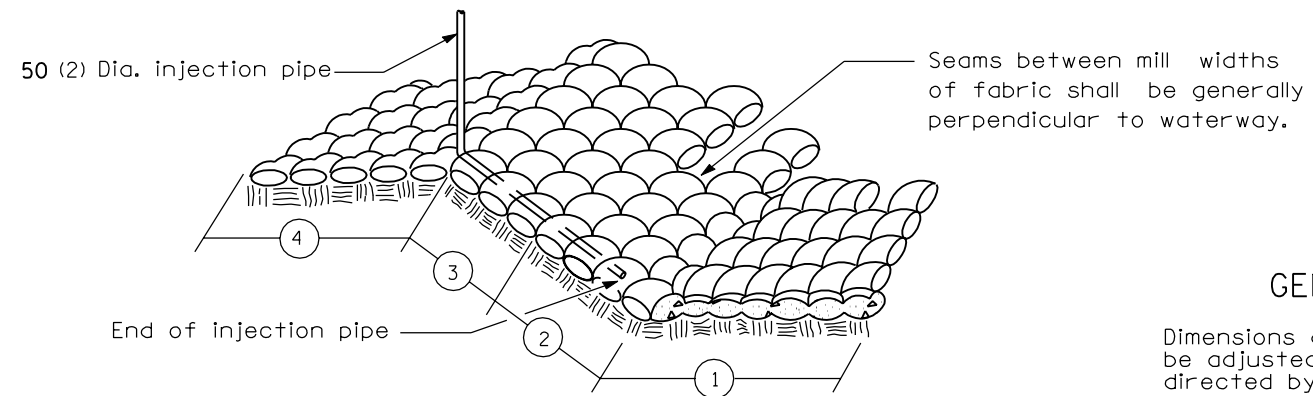


TYPICAL SECTION THRU FILTER POINT MAT



CUT OFF WALL DETAILS

TYPICAL LAP JOINTS W/ANCHOR WALL



INSTALLATION DETAILS

1. In placing inserts through fabric use care to avoid breaking drop stitches.
2. — ① — Indicates sequence of pour.

GENERAL NOTES

Dimensions given with minimum limits shall be adjusted for field conditions as directed by the Engineer.

All anchor walls on side slopes and at lap joints, as well as cut off walls, shall be installed in trenches.

Cut off walls shall be installed at the upstream and downstream ends.

All dimensions are in millimeters (inches) unless otherwise shown.

Illinois Department of Transportation

PASSED January 1, 2002
Ryan Driskell
ENGINEER OF POLICY AND PROCEDURES

APPROVED January 1, 2002
Michael L. Hine
ENGINEER OF DESIGN AND ENVIRONMENT

ISSUED 1-1-97

DATE	REVISIONS
1-1-02	Revised second note.
1-1-01	New Standard

**FABRIC FORMED
CONCRETE
REVTMENT MATS**

STANDARD 285001-01