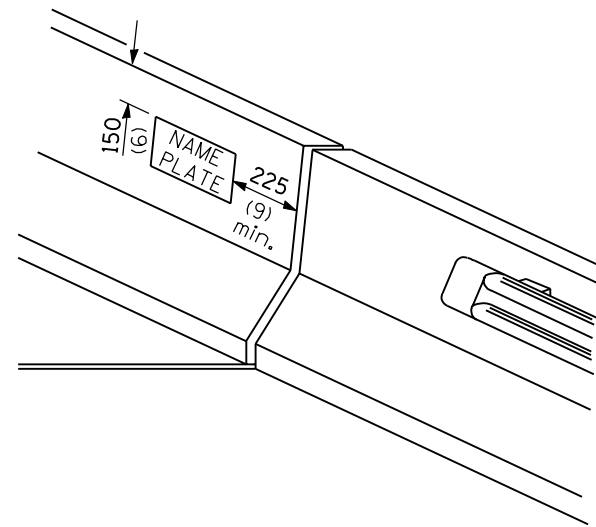
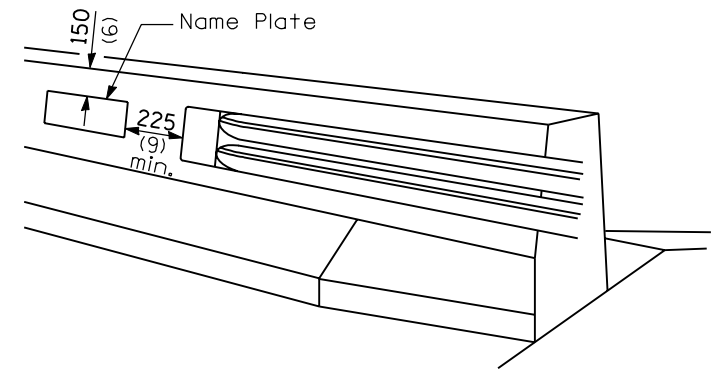


FOR MULTI-SPAN CULVERTS

(Unless otherwise noted on the plans, name plates are not required for structures less than 6.1 m (20') in length)

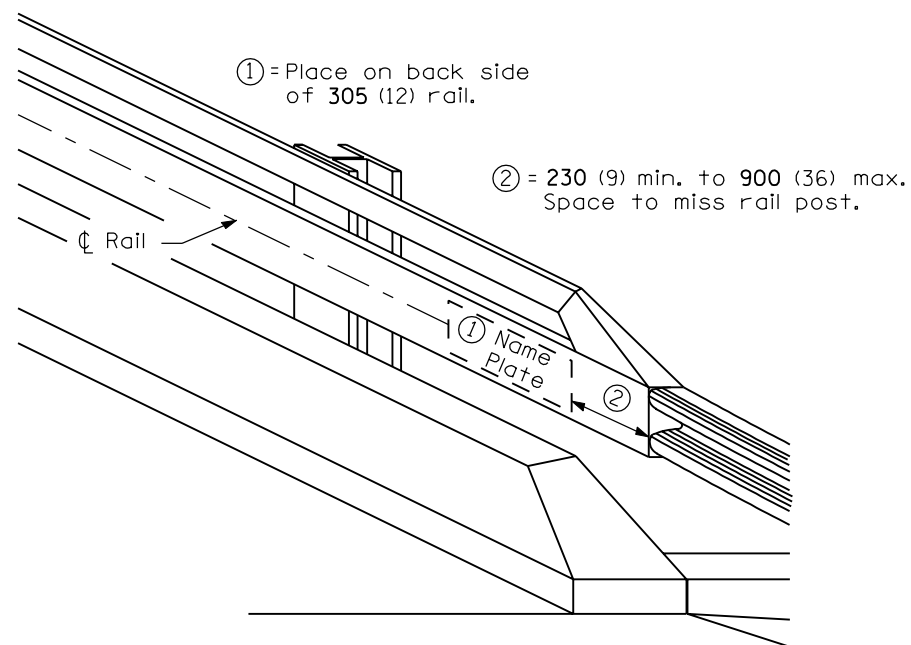


FOR PARAPET AND END POST MOUNTED

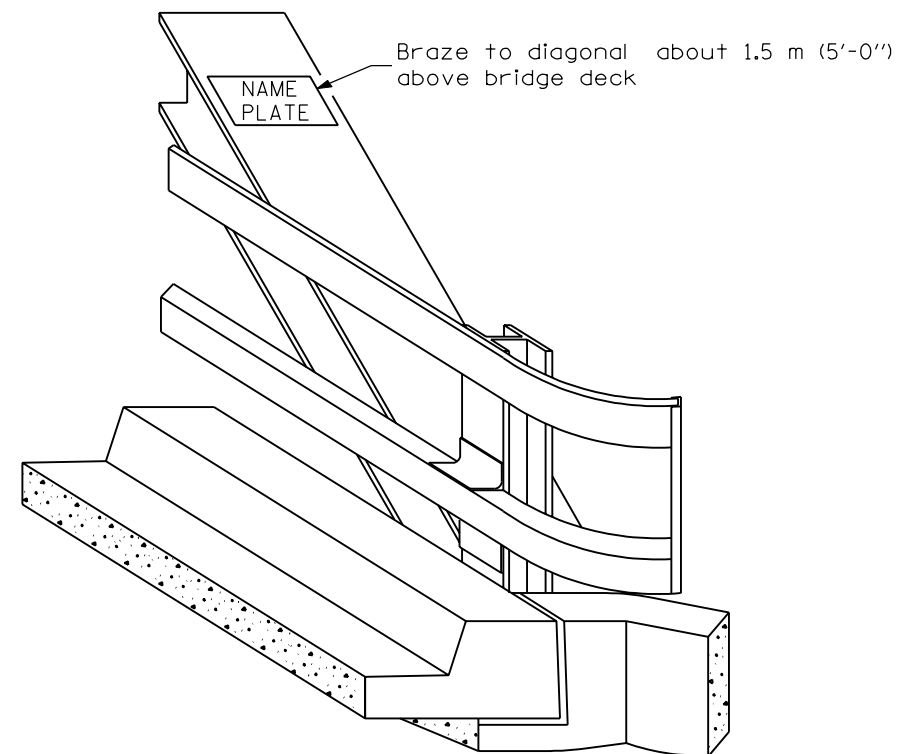


FOR PARAPET

(When Dog Ear Wing is used)



FOR STEEL RAILS



FOR TRUSSES

GENERAL NOTE

On one-way traffic structures, place name plate on right side of approach end. On two-way traffic structures, place name plate on right side of approach end while looking in the direction of increasing stationing.

All dimensions are in millimeters (inches) unless otherwise shown.

Illinois Department of Transportation

APPROVED January 1, 2002
Ralph E. Anderson
 ENGINEER OF BRIDGES AND STRUCTURES

APPROVED January 1, 2002
Michael L. Hine
 ENGINEER OF DESIGN AND ENVIRONMENT

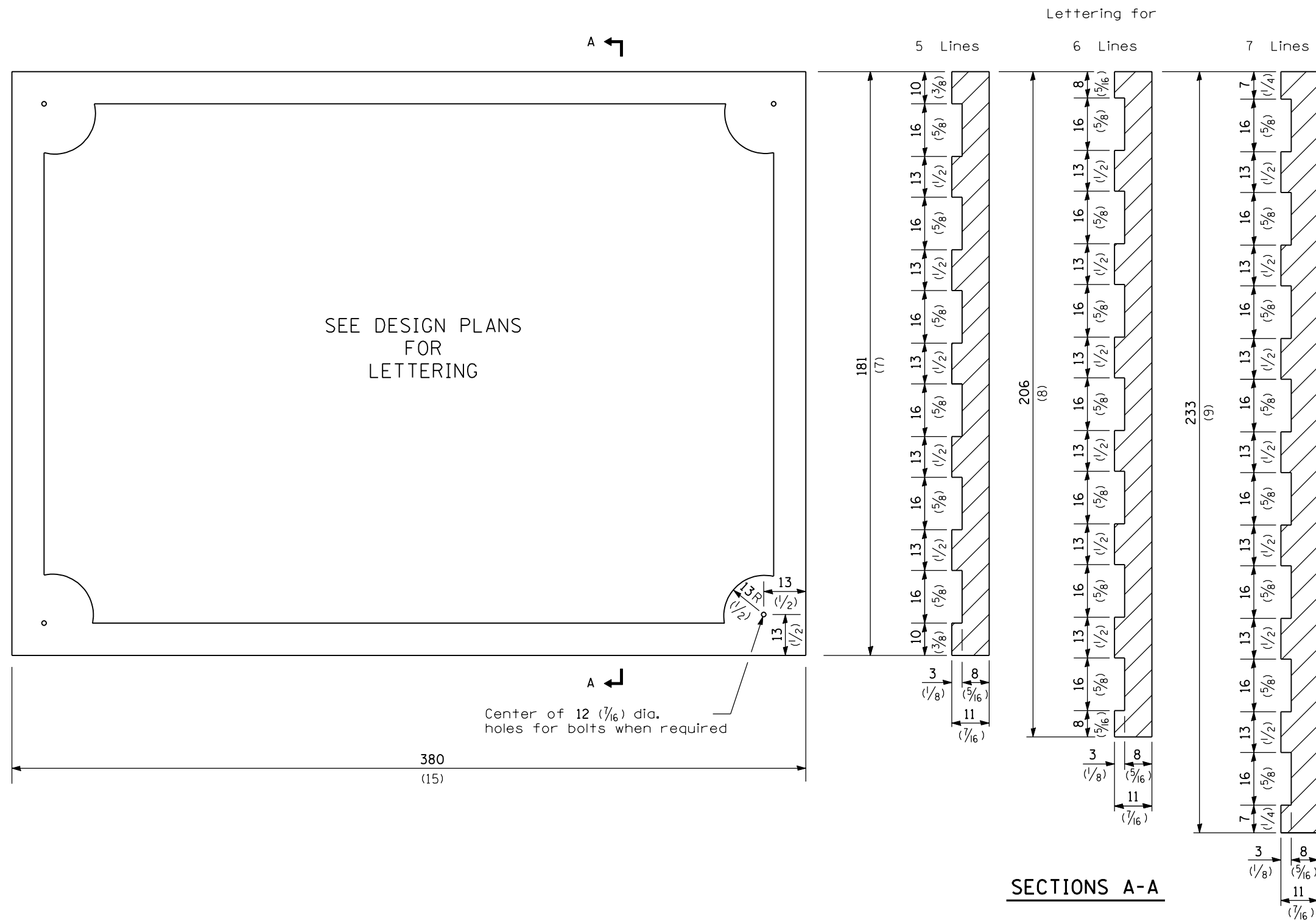
ISSUED 1-1-97

DATE	REVISIONS
1-1-02	Remove Placing: note on sht. 2. Added Braze to diag. note on sht. 1.
1-1-01	Removed TYP. EXAMPLES. Added GENERAL NOTE. Rev. PARAPET view.

NAME PLATE FOR BRIDGES

(Sheet 1 of 2)

STANDARD 515001-02



NOTE

Border and lettering:
 Raised $3 \frac{1}{8}$, square cut and not tapered.

All dimensions are in millimeters (inches)
 unless otherwise shown.

**NAME PLATE
 FOR BRIDGES**

(Sheet 2 of 2)

STANDARD 515001-02

Illinois Department of Transportation

APPROVED January 1, 2002
Ralph E. Anderson
 ENGINEER OF BRIDGES AND STRUCTURES

APPROVED January 1, 2002
Michael L. Hine
 ENGINEER OF DESIGN AND ENVIRONMENT

ISSUED 1-1-97