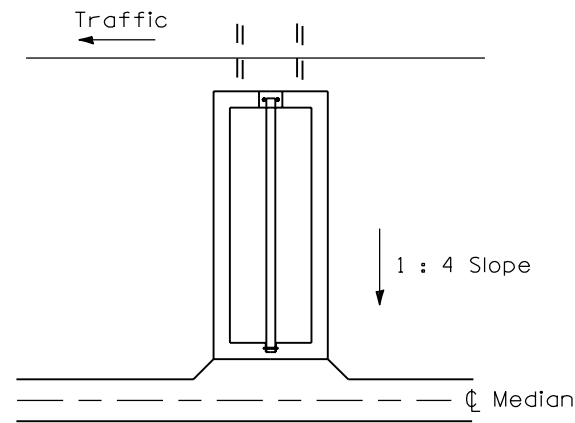
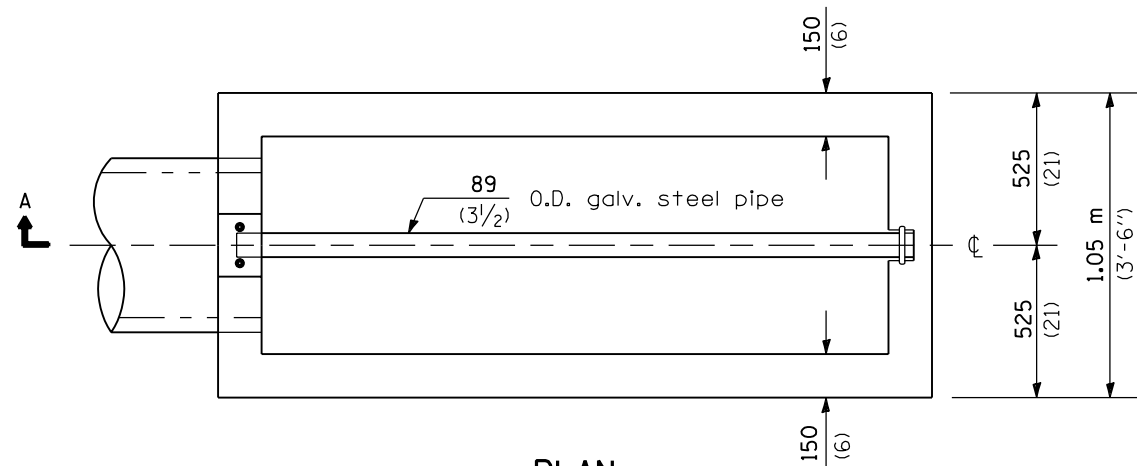


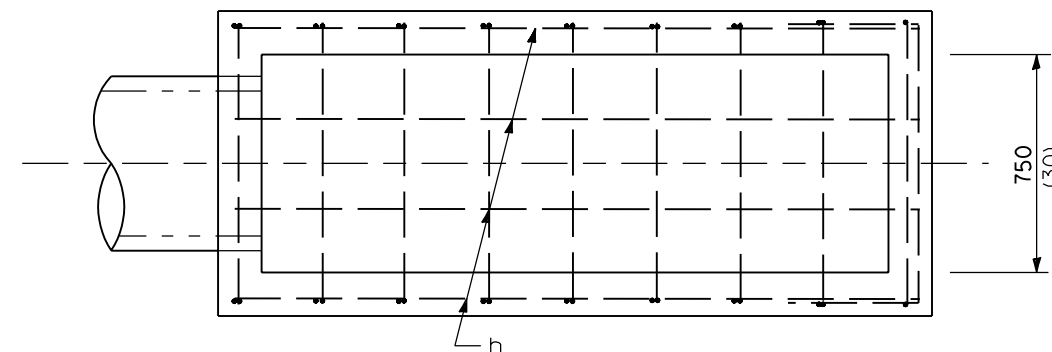
SECTION A-A



Sketch showing location and direction of box in relation to ϕ median.



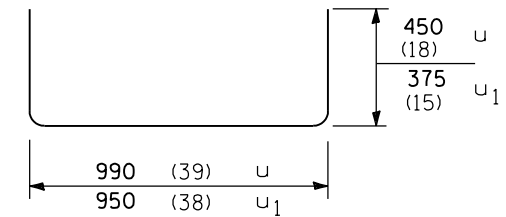
PLAN



PLAN OF REINFORCEMENT

Material required for one inlet box

Bar	Qty.	Size	Length
h	10	No. 15 (No. 4)	2.35 m (7'-9")
u	10	No. 15 (No. 4)	1.90 m (6'-3")
u ₁	1	No. 15 (No. 4)	1.70 m (5'-8")
v	6	No. 15 (No. 4)	760 (30)
v ₁	4	No. 15 (No. 4)	610 (24)
v ₂	2	No. 15 (No. 4)	460 (18)
Galv. Steel Pipe		89 O.D. (3 1/2)	2.38 m (8'-0")
Concrete Cast-in-place or Precast		m ³ (cu. yds.)	0.9 (1.2)
Reinf. Bars		kg (lbs.)	82 (115)



Bars u & u₁

GENERAL NOTES

All slope ratios are expressed as units of vertical displacement to units of horizontal displacement (V:H).

All dimensions are in millimeters (inches) unless otherwise shown.

DATE	REVISIONS
1-1-97	Renum. Standard 2242-9.
6-15-94	Moved G.N. to Specs. Revised title. Added Metric and slope note.

**INLET BOX
TYPE 600 (24) A**

(Sheet 1 of 2)

STANDARD 542501

Illinois Department of Transportation

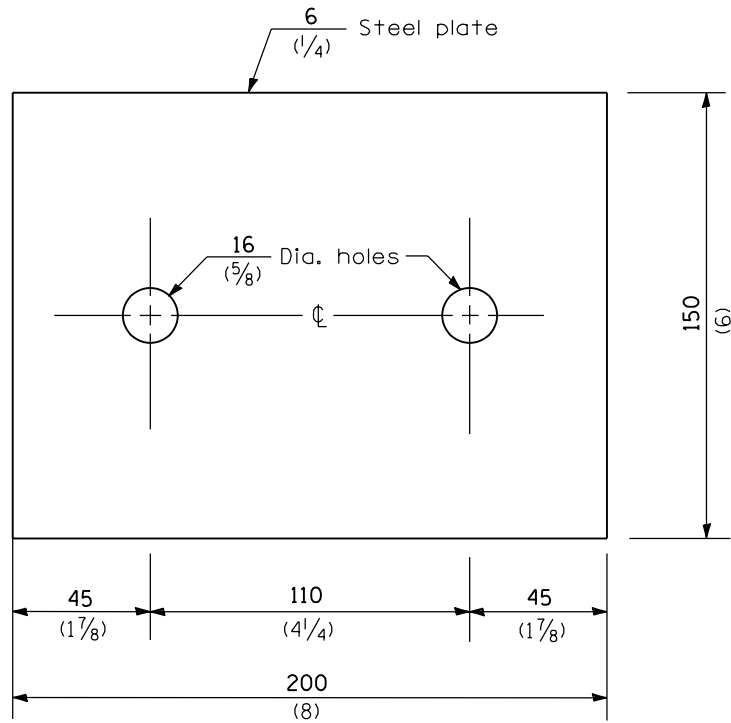
PASSED January 1, 1997

ISSUED 1-1-97

ENGINEER OF POLICY AND PROCEDURES

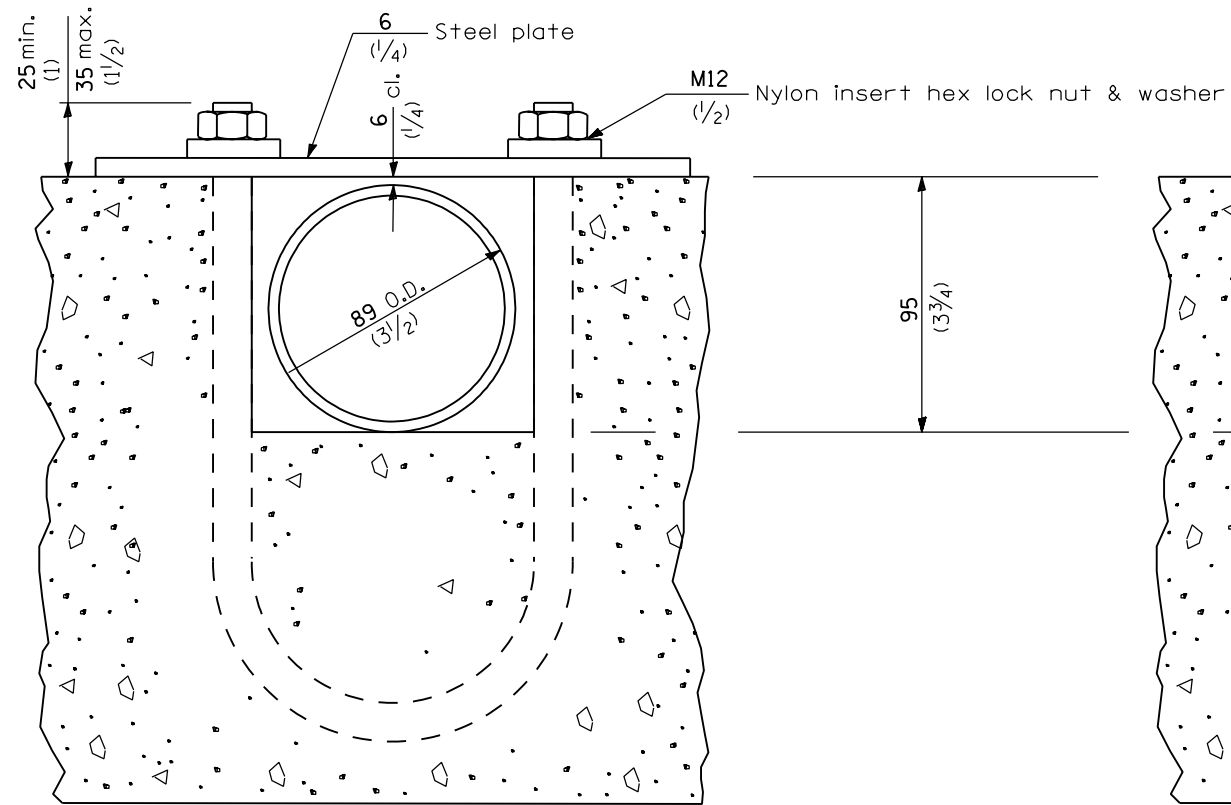
APPROVED January 1, 1997

ENGINEER OF DESIGN AND ENVIRONMENT

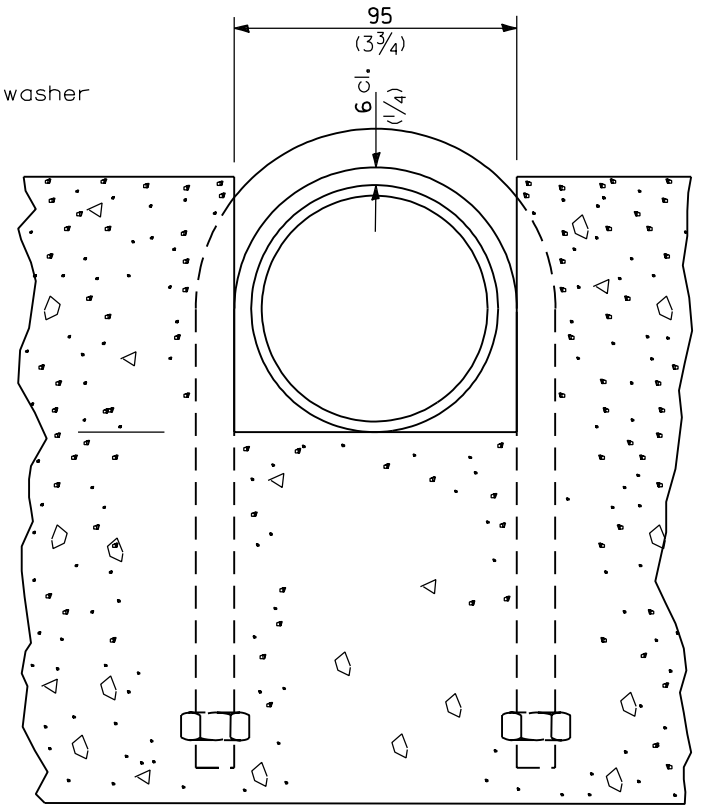


TOP ANCHOR PLATE

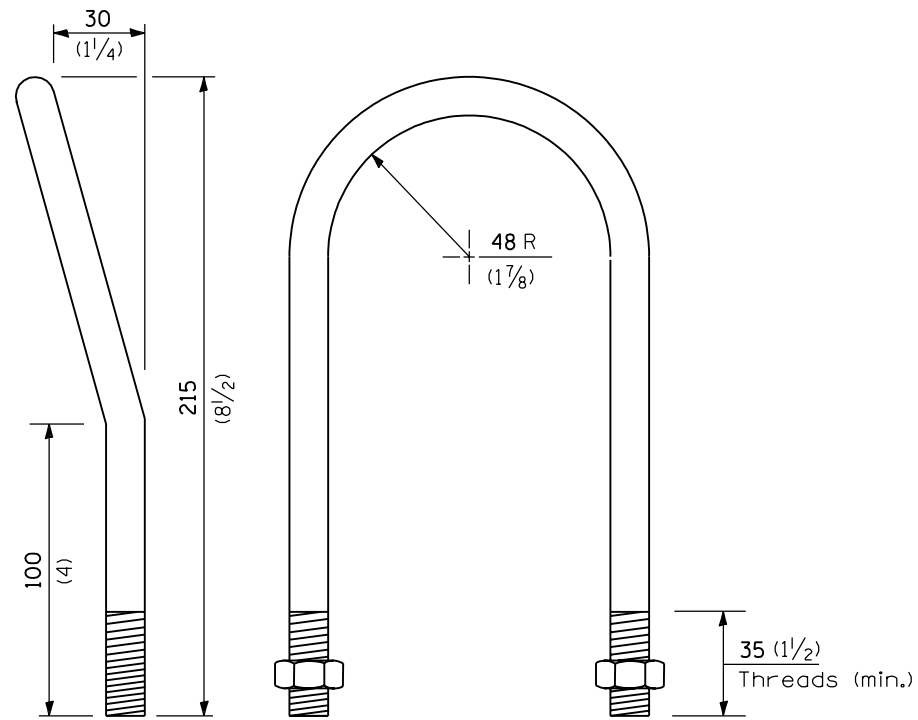
(1 - required)



SECTION B-B

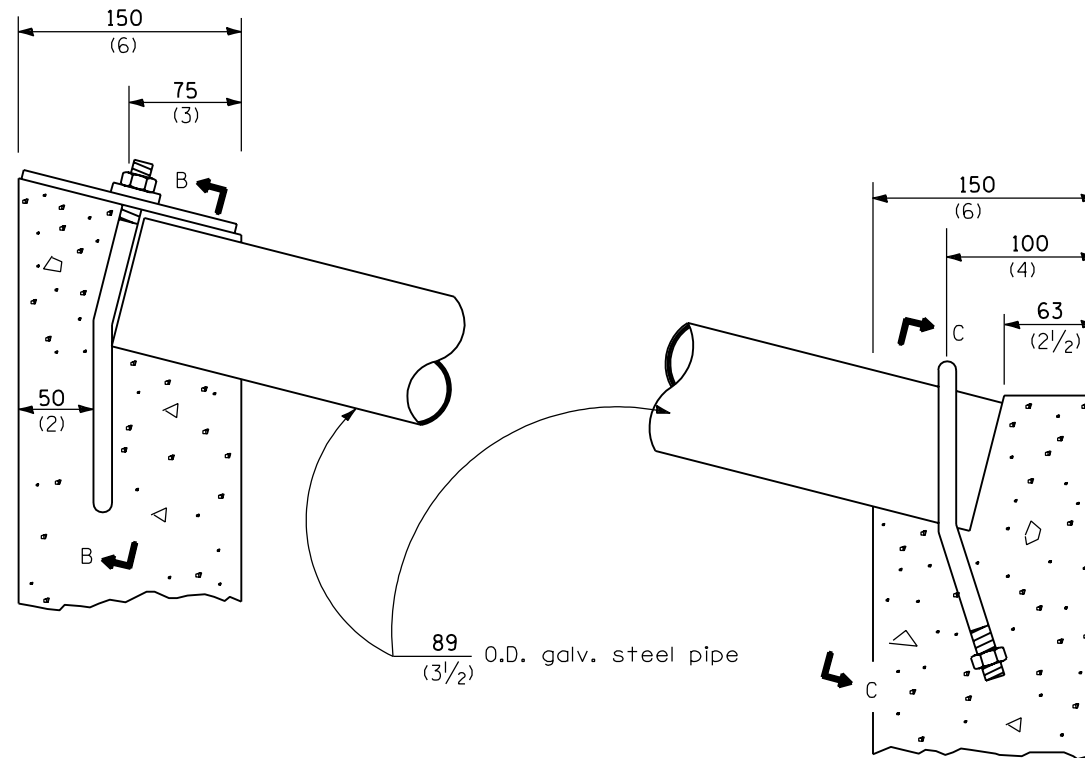


SECTION C-C



M12 (1/2) U BOLT

(2 - required)



DETAIL AT BLOCKOUTS

All dimensions are in millimeters (inches) unless otherwise shown.

**INLET BOX
TYPE 600 (24) A**

(Sheet 2 of 2)

STANDARD 542501

Illinois Department of Transportation	
PASSED	January 1, 1997
ENGINEER OF POLICY AND PROCEDURES	
APPROVED	January 1, 1997
ENGINEER OF DESIGN AND ENVIRONMENT	
ISSUED	16-1-1