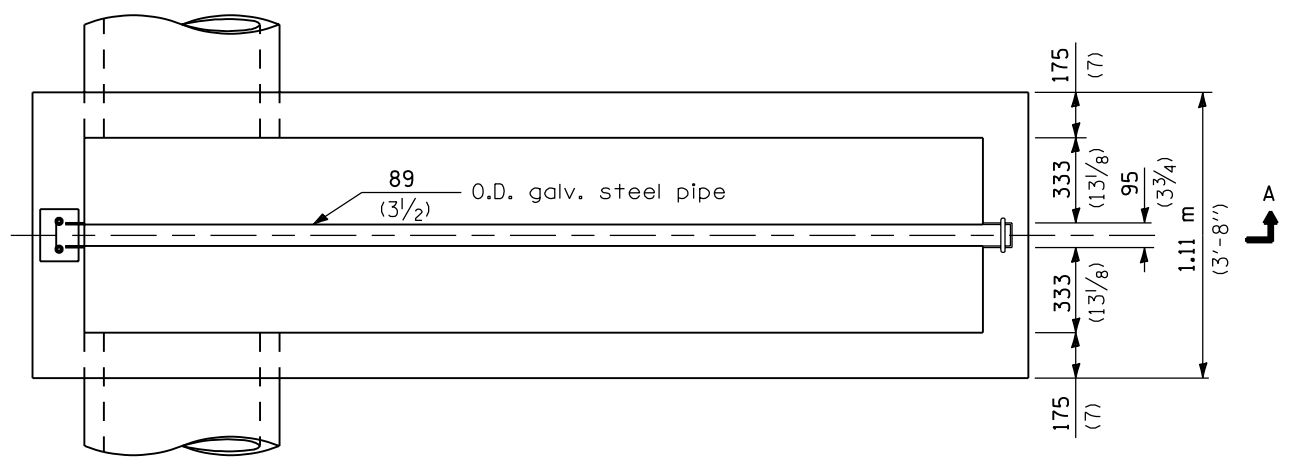
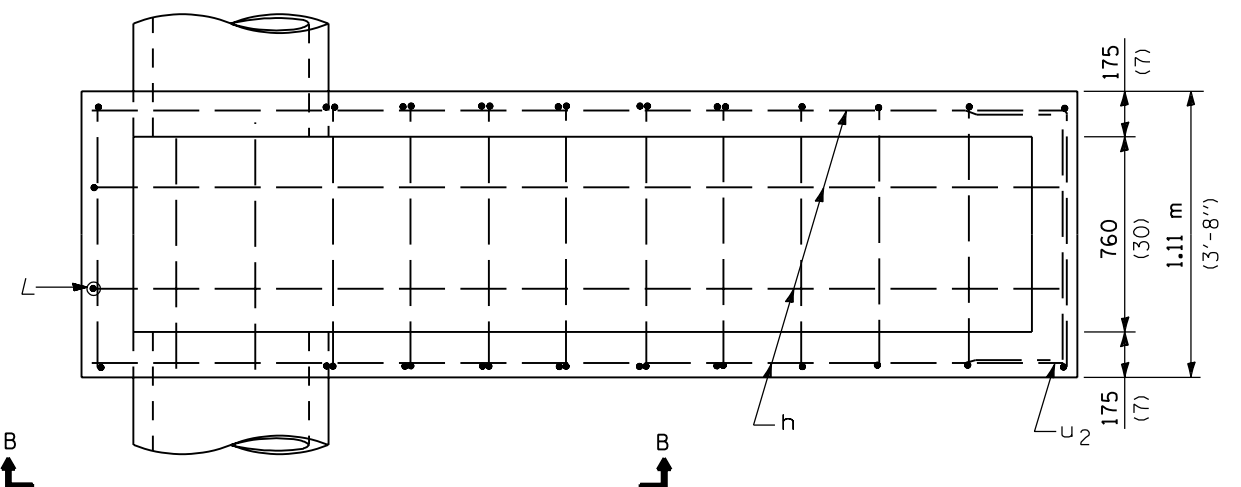


SECTION A-A



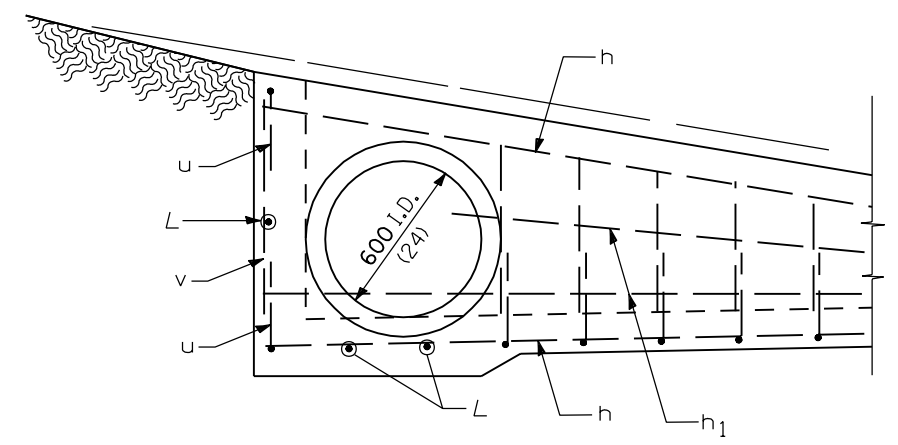
PLAN



PLAN OF REINFORCEMENT

Material required for one inlet box

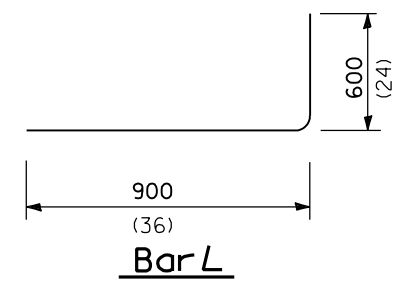
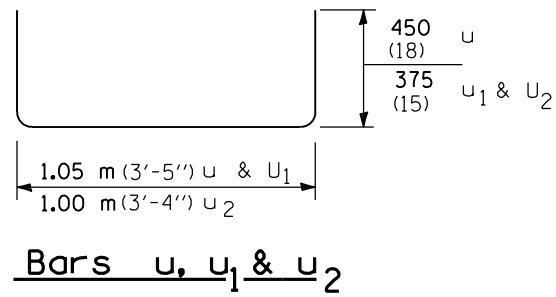
Bar	Qty.	Size	Length
h	8	No. 15 (No. 4)	3.66 m (12'-0")
h ₁	2	No. 15 (No. 4)	2.75 m (9'-0")
L	5	No. 15 (No. 4)	1.50 m (5'-0")
u	9	No. 15 (No. 4)	1.95 m (6'-5")
u ₁	3	No. 15 (No. 4)	1.80 m (5'-11")
u ₂	2	No. 15 (No. 4)	1.75 m (5'-10")
v	6	No. 15 (No. 4)	760 (30)
v ₁	6	No. 15 (No. 4)	610 (24)
v ₂	6	No. 15 (No. 4)	460 (18)
Concrete Cast-in-place or Precast		m ³ (cu. yds.)	1.5 (2.0)
Reinforcement Bars		kg (lbs.)	125 (175)
Galv. Steel Pipe		89 O.D. (3 1/2)	3.71 m (12'-2 1/4")



SECTION B-B

GENERAL NOTES

All slope ratios are expressed as units of vertical displacement to units of horizontal displacement (V:H).
All dimensions are in millimeters (inches) unless otherwise shown.



DATE	REVISIONS
1-1-97	Renum. Standard 2243-10.
6-15-94	Moved G.N. to Specs. Revised title. Added Metric and slope note.

**INLET BOX
TYPE 600 (24) E**
(Sheet 1 of 2)

STANDARD 542521

Illinois Department of Transportation

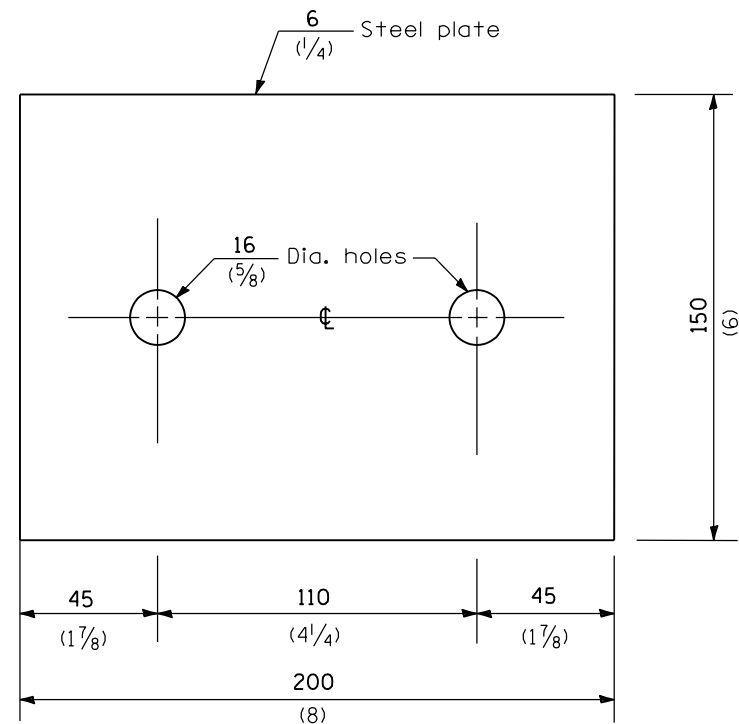
PASSED January 1, 1997

ENGINEER OF POLICE AND PROCEDURES

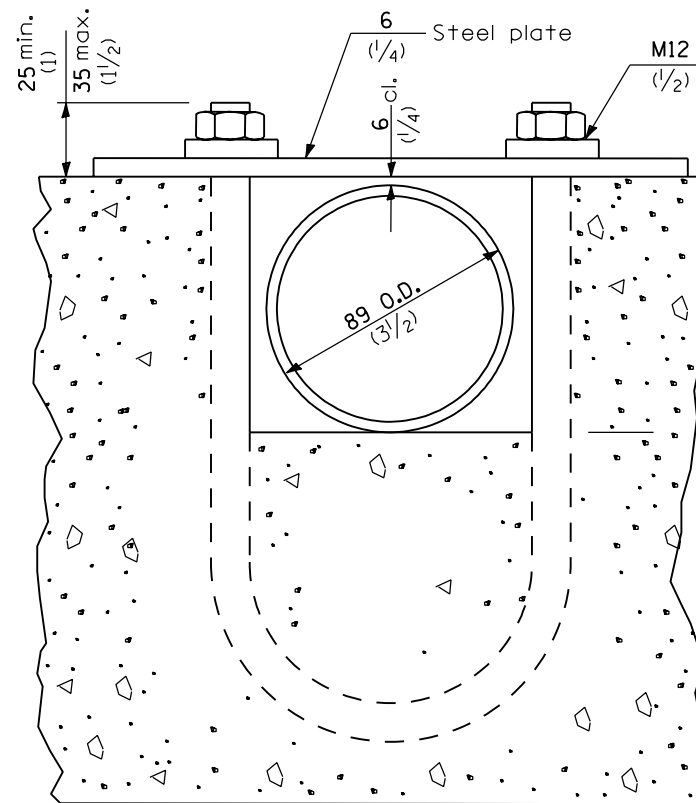
APPROVED January 1, 1997

ENGINEER OF DESIGN AND ENVIRONMENT

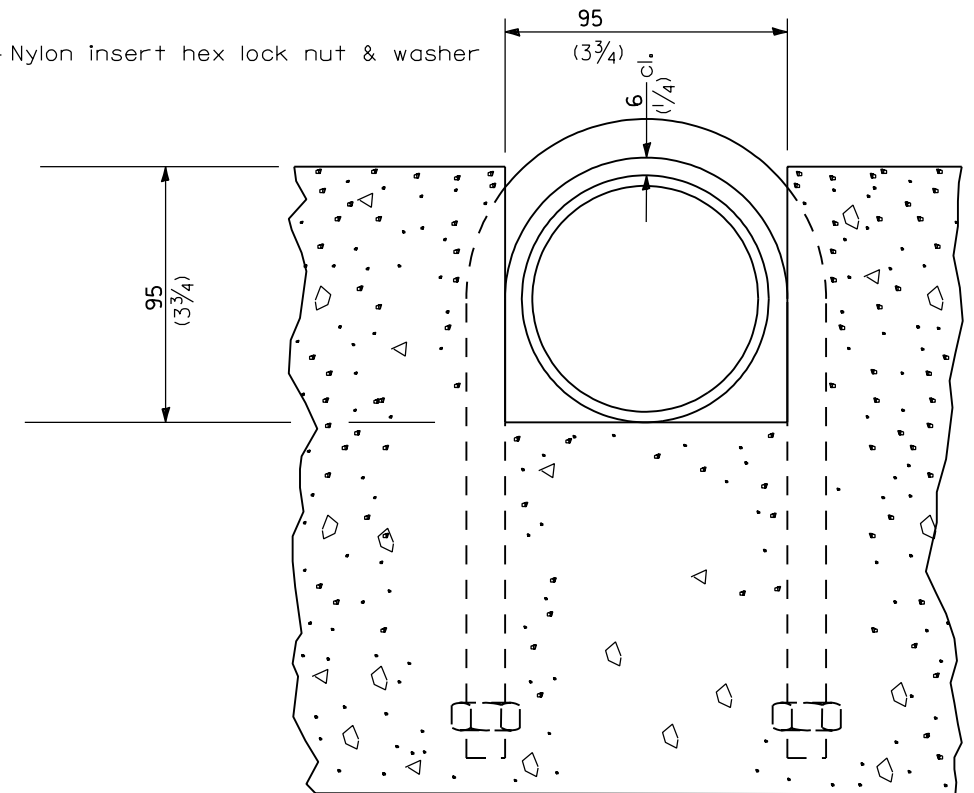
ISSUED 1-1-97



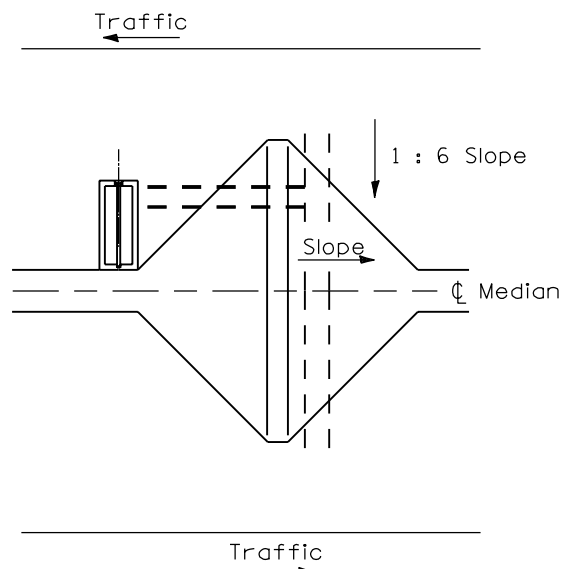
TOP ANCHOR PLATE
(1 - required)



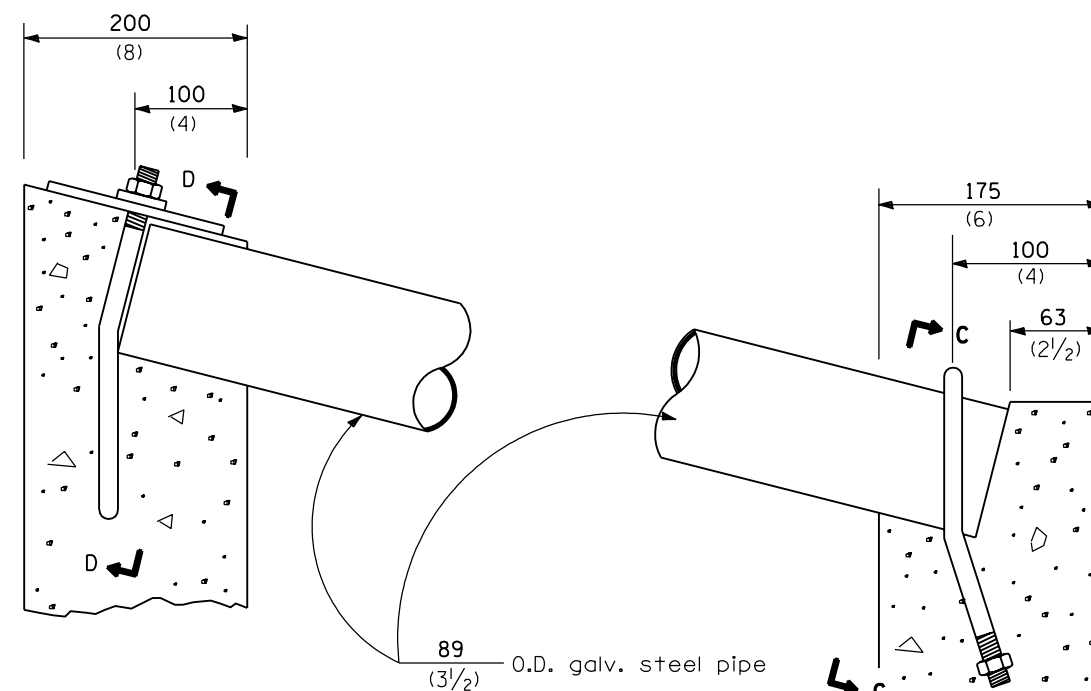
SECTION D-D



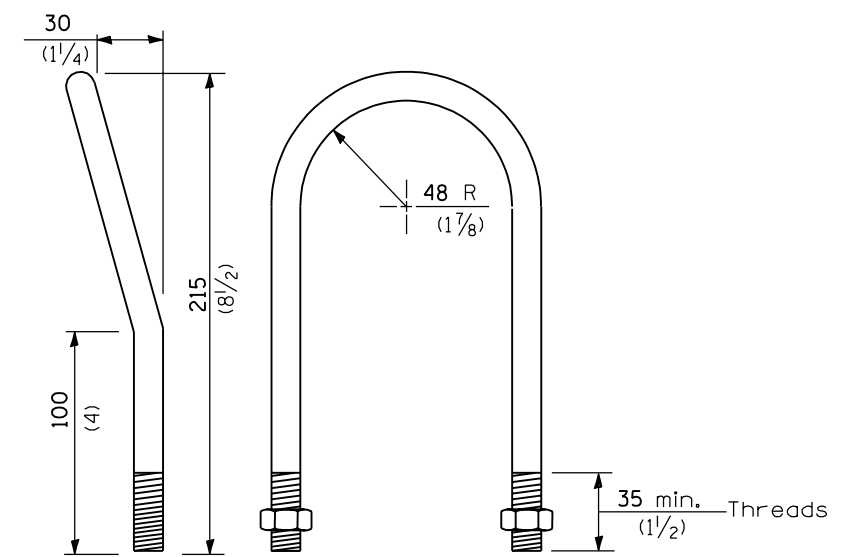
SECTION C-C



Sketch showing location and direction of box in relation to ζ median.



DETAIL AT BLOCKOUTS



M12 (1/2) U BOLT
(2- required)

All dimensions are in millimeters (inches) unless otherwise shown.

**INLET BOX
TYPE 600 (24) E**

(Sheet 2 of 2)

STANDARD 542521

Illinois Department of Transportation	
PASSED	January 1, 1997
ENGINEER OF POLICY AND PROCEDURES	
APPROVED	January 1, 1997
ENGINEER OF DESIGN AND ENVIRONMENT	
ISSUED	1-1-97