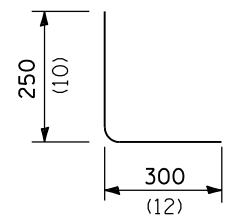


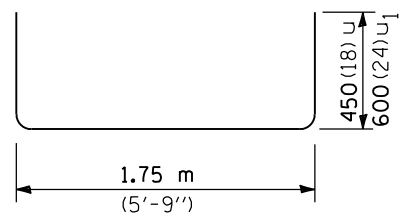
Material required for one inlet box

| Bar | Qty. | Size | Length |
|---|------------------------------|-------------------|-----------------------------------|
| h | 11 | No. 15 (No. 4) | 4.40 m (14'-5'') |
| h ₂ | 8 | No. 15 (No. 4) | 1.40 m (4'-8'') |
| h ₃ | 2 | No. 15 (No. 4) | 1.70 m (5'-6'') |
| L | 6 | No. 15 (No. 4) | 550 (22) |
| u | 16 | No. 15 (No. 4) | 2.67 m (8'-9'') |
| u ₁ | 2 | No. 15 (No. 4) | 2.97 m (9'-9'') |
| v | 8 | No. 15 (No. 4) | 1.30 m (4'-3'') |
| v ₁ | 6 | No. 15 (No. 4) | 1.07 m (3'-6'') |
| v ₂ | 13 | No. 15 (No. 4) | 840 (33) |
| v ₃ | 10 | No. 15 (No. 4) | 530 (21) |
| Concrete Cast-in-place or Precast | m ³ (cu. yds.) | | 3.80 (5.0) |
| Reinf. Bars | kg (lbs.) | | 233 (324) |
| Galv. Steel Pipe | 89 O.D. (3 1/2) | | 2 at 4.35 m 2 at (14'-3 1/4'') |

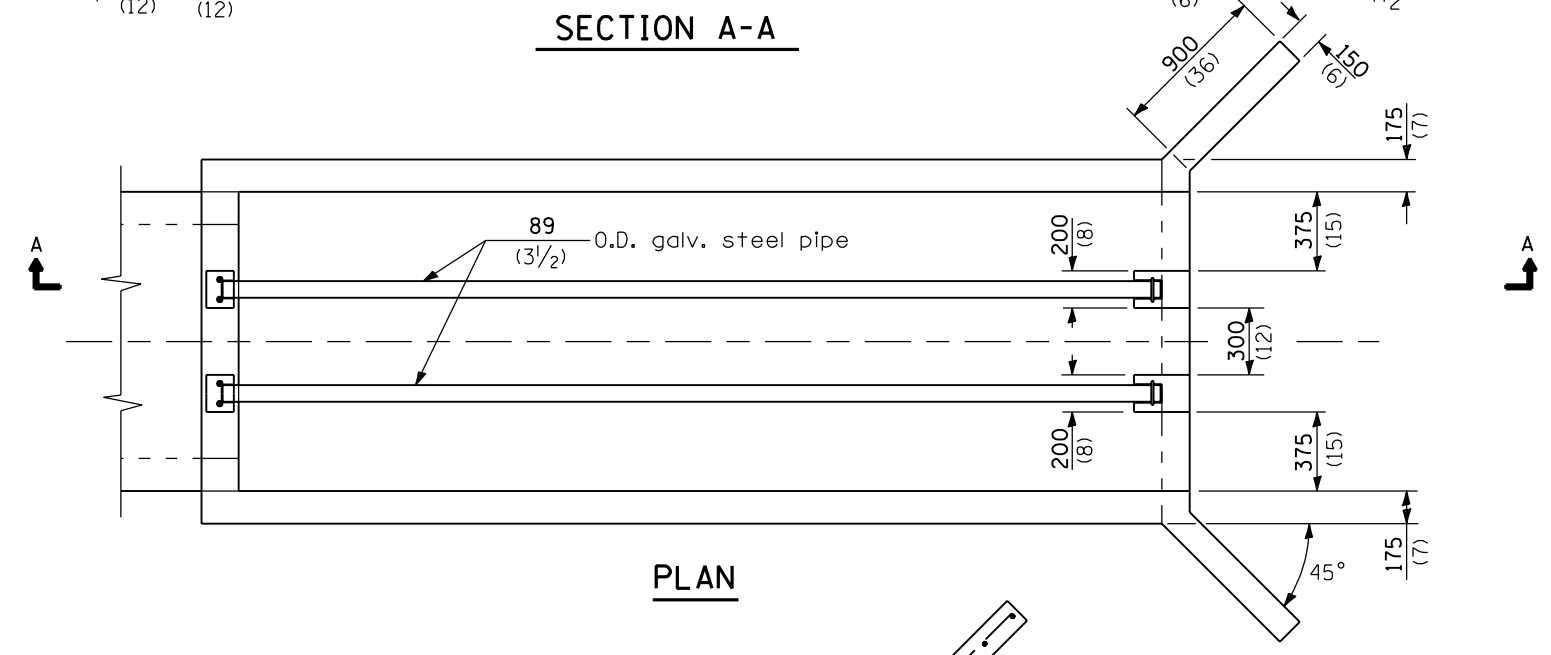
Bar h₂



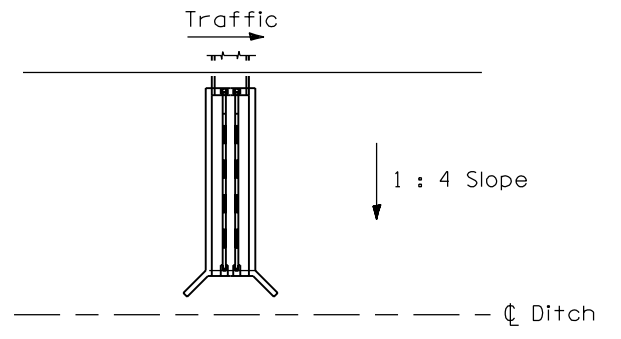
Bar L



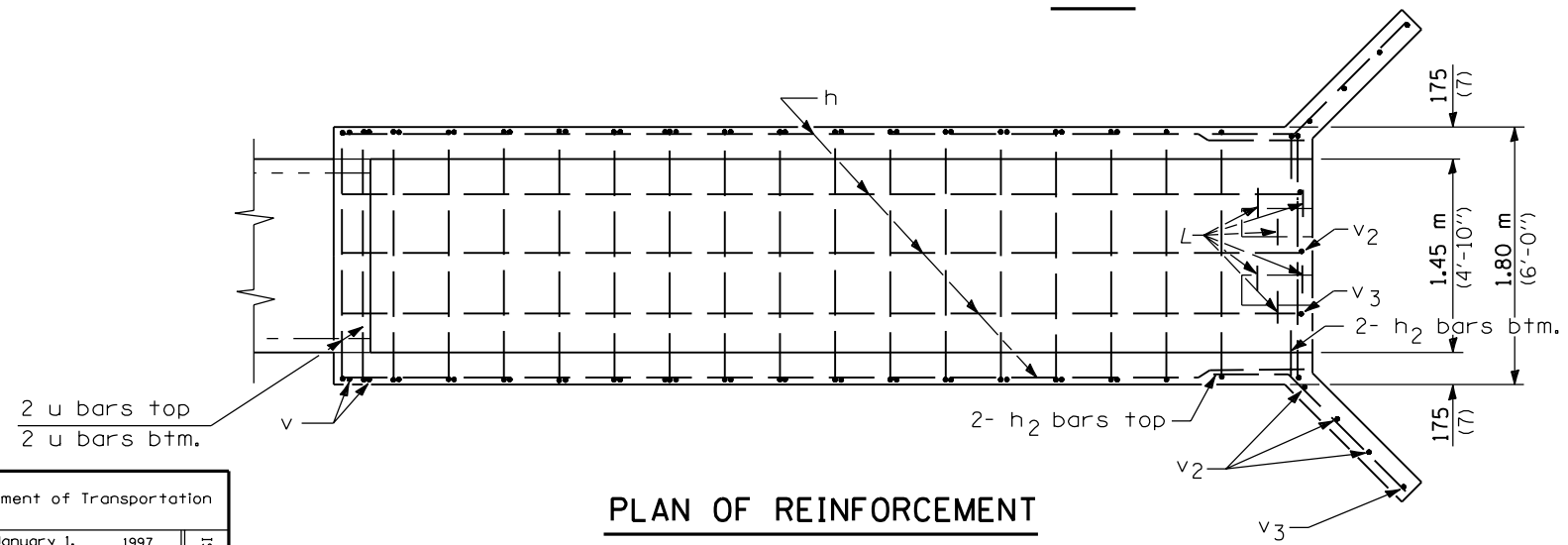
Bar u & u₁



PLAN



Sketch showing location and direction of box in relation to CL of ditch.



PLAN OF REINFORCEMENT

Illinois Department of Transportation
 PASSED January 1, 1997
 ENGINEER OF POLICE AND PROCEDURES
 APPROVED January 1, 1997
 ENGINEER OF DESIGN AND ENVIRONMENT

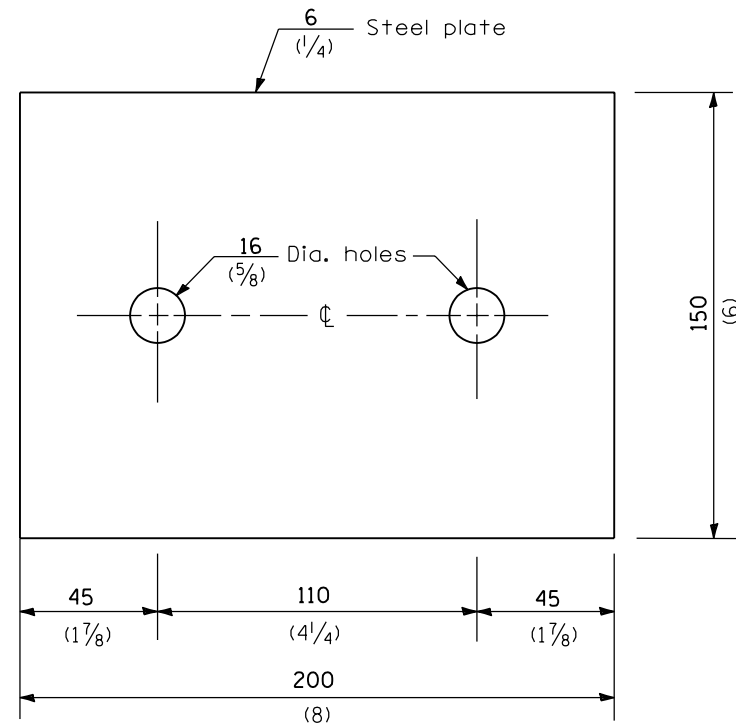
| DATE | REVISIONS |
|---------|--|
| 1-1-97 | Renum. Standard 2332-6. |
| 6-15-94 | Moved G.N. to Specs. Revised title. Added Metric and slope note. |

GENERAL NOTES

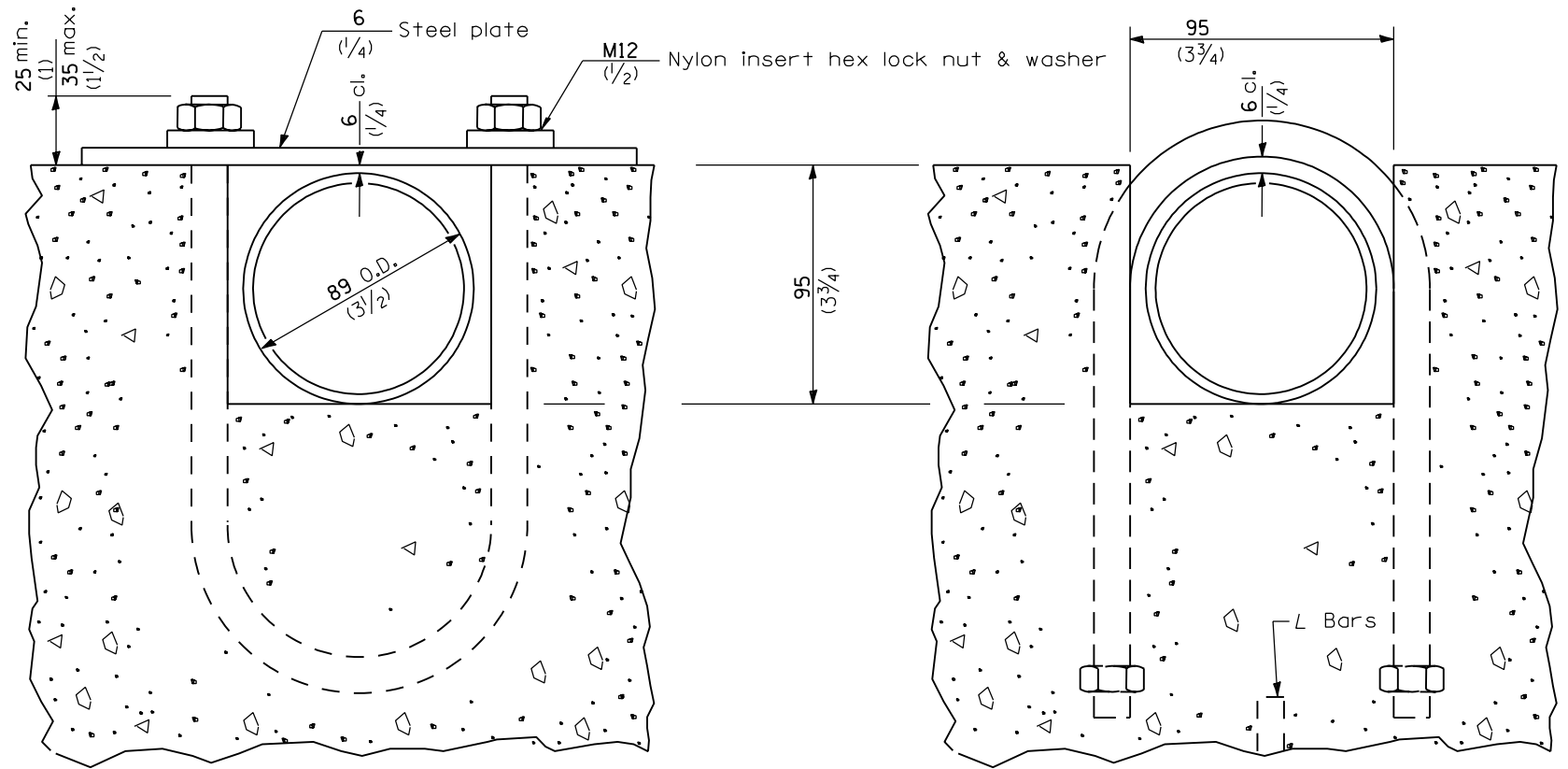
All slope ratios are expressed as units of vertical displacement to units of horizontal displacement (V:H).

All dimensions are in millimeters (inches) unless otherwise shown.

**INLET BOX
 TYPE 1200 (48) A**
 (Sheet 1 of 2)
STANDARD 542541

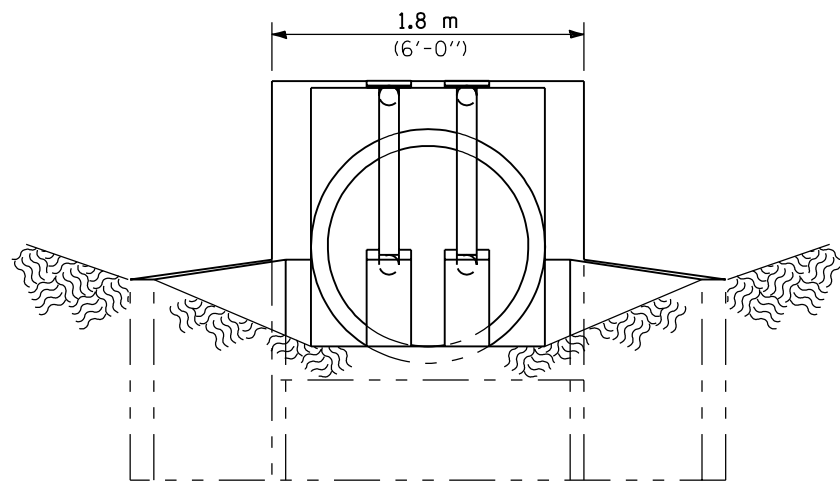


TOP ANCHOR PLATE
(2 - required)

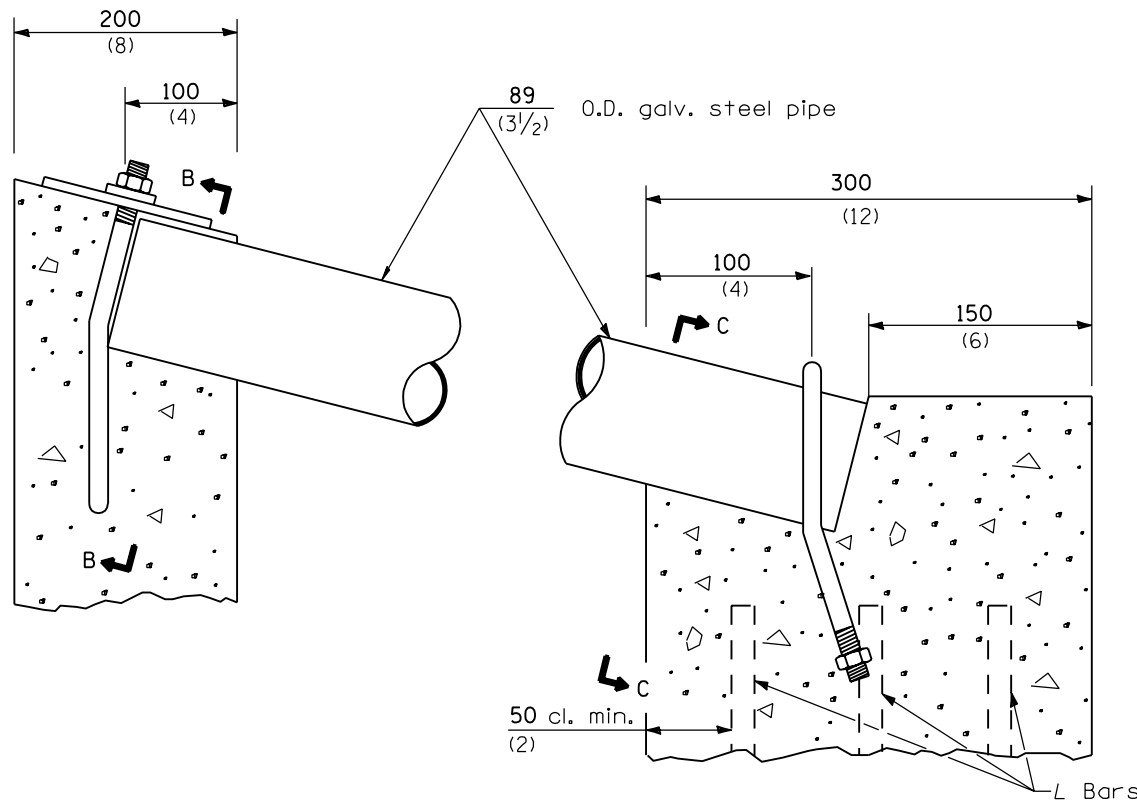


SECTION B-B

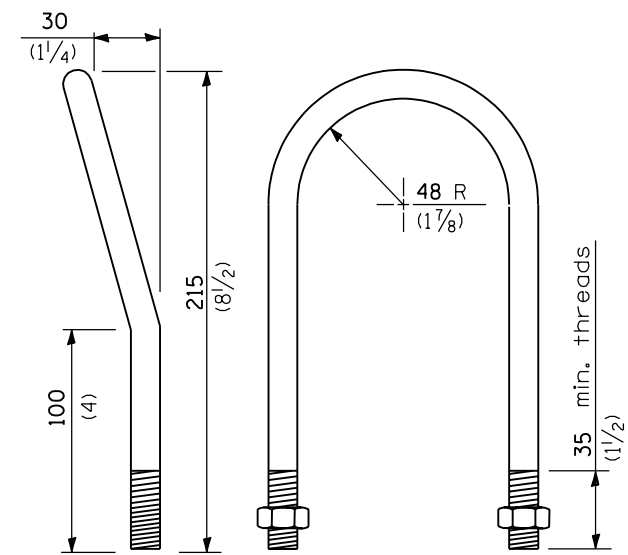
SECTION C-C



END VIEW



DETAIL AT BLOCKOUTS



M12 (1/2) U BOLT
(4 - required)

All dimensions are in millimeters (inches) unless otherwise shown.

INLET BOX
TYPE 1200 (48) A

(Sheet 2 of 2)

STANDARD 542541

| | |
|---------------------------------------|-----------------|
| Illinois Department of Transportation | |
| PASSED | January 1, 1997 |
| | |
| ENGINEER OF POLICY AND PROCEDURES | |
| APPROVED | January 1, 1997 |
| | |
| ENGINEER OF DESIGN AND ENVIRONMENT | |
| ISSUED | 1-1-97 |