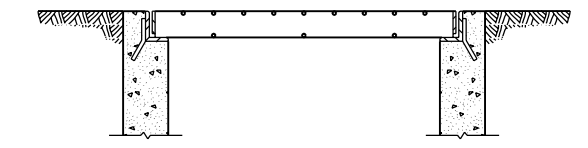
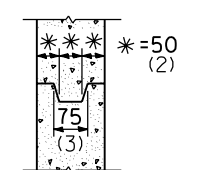


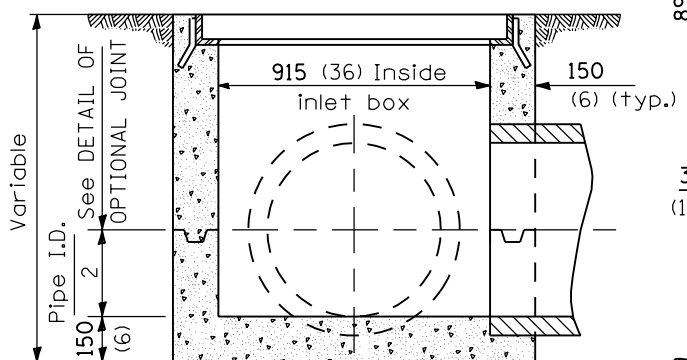
PLAN
(Grating omitted for clarity)



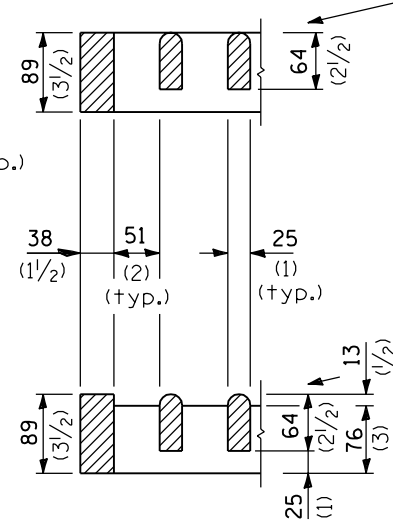
SECTION A-A



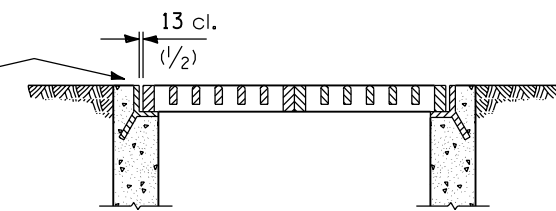
DETAIL of OPTIONAL JOINT



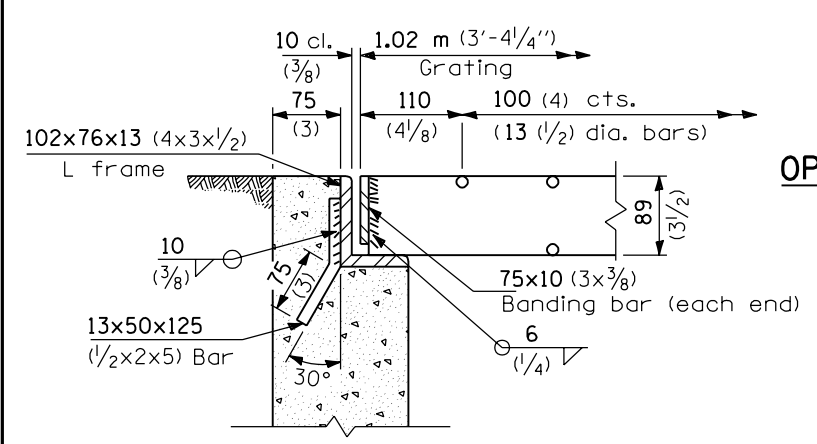
SECTION B-B



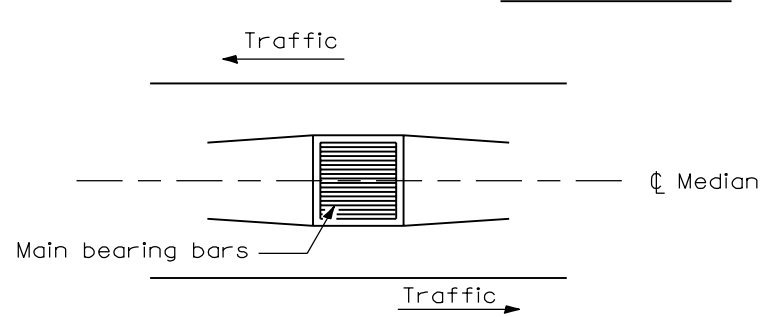
SECTION C-C



SECTION D-D
CAST FRAME & GRATE



STEEL FRAME & GRATE



Sketch showing location and direction of main bearing bars in relation to ϕ median

All dimensions are in millimeters (inches) unless otherwise shown.

Illinois Department of Transportation	
PASSED	January 1, 1997
ENGINEER OF POLICE AND PROCEDURES	
APPROVED	January 1, 1997
ENGINEER OF DESIGN AND ENVIRONMENT	

DATE	REVISIONS
1-1-97	Renum. Standard 2240-6.
6-15-94	Moved G.N. to Specs. Added Metric.

**FLUSH INLET BOX
FOR MEDIAN**

STANDARD 542546