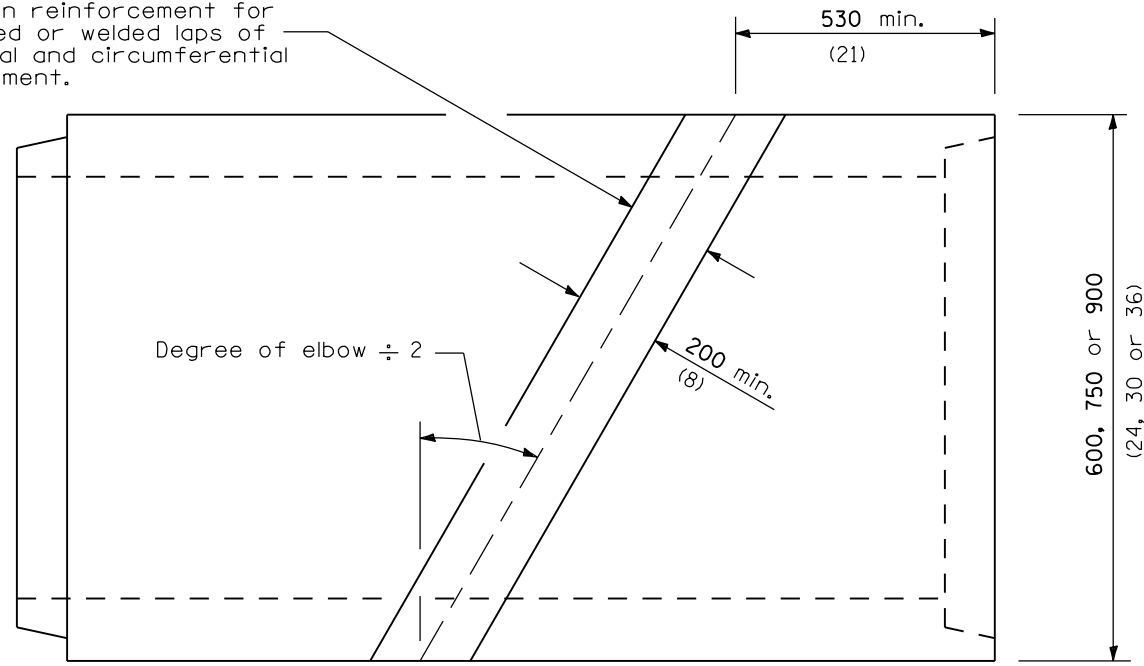
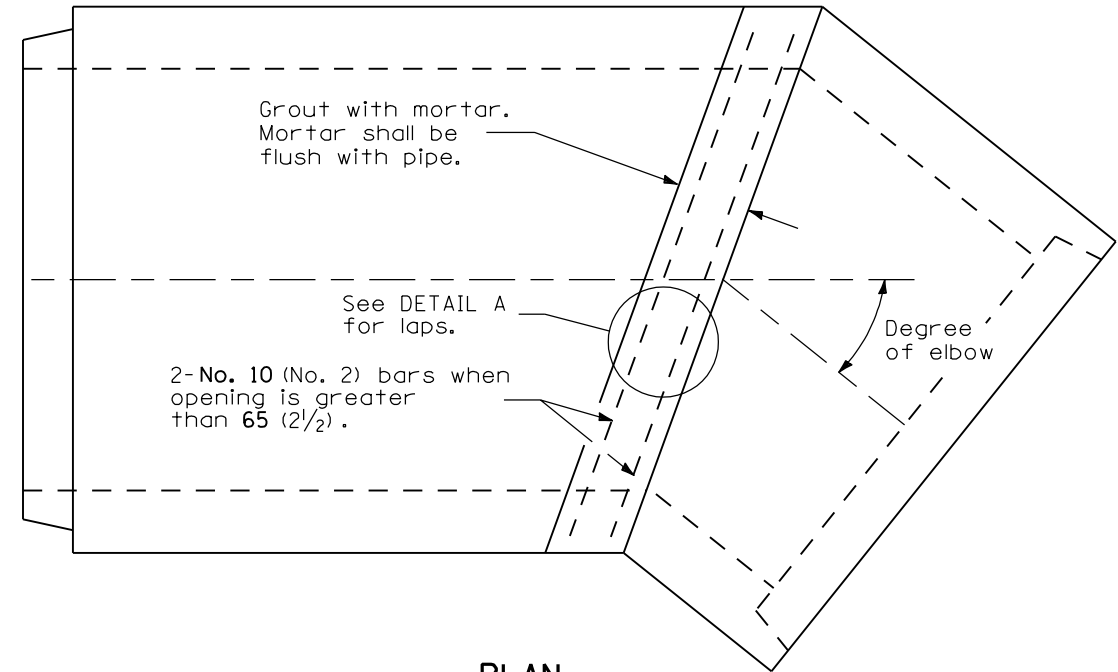


Remove concrete along these lines. Clean reinforcement for either tied or welded laps of longitudinal and circumferential reinforcement.

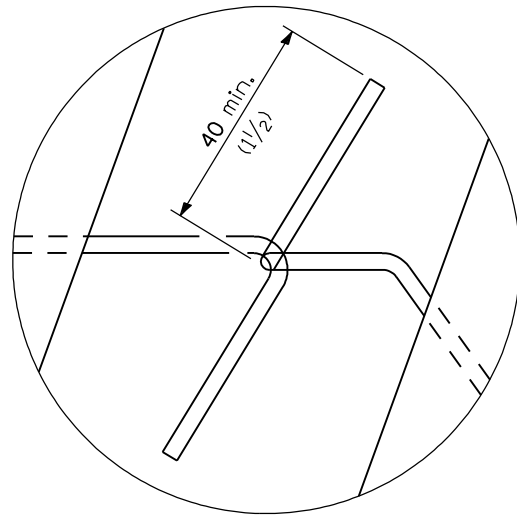


PLAN
(Reinforced concrete pipe)

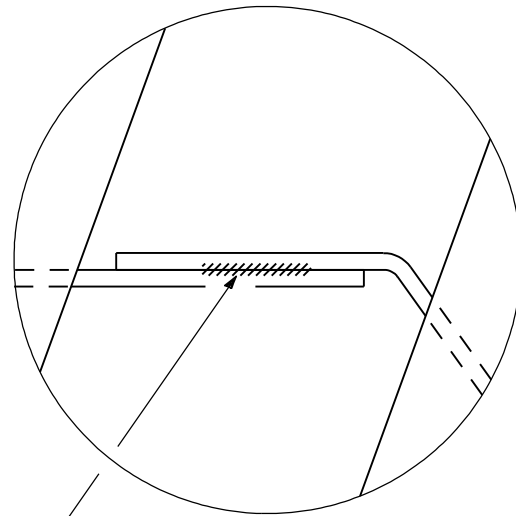
40 (1 1/2) min., 65 (2 1/2) max. (Tied lap)
40 (1 1/2) min., 150 (6) max. (Welded lap)



PLAN
(Reinforced concrete pipe elbow)



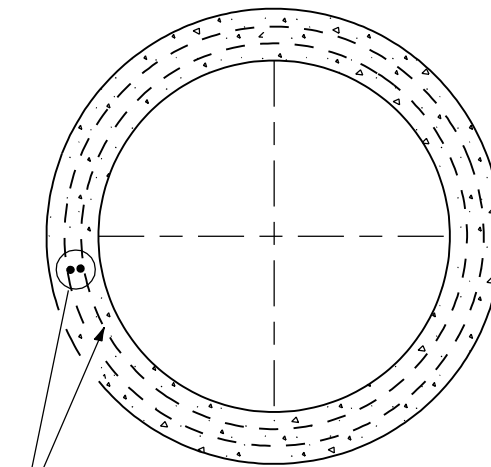
TIED LAP



WELDED LAP

Weld 20 (3/4) min. for wire 10.72 mm dia. (W14) thru 7.01 mm dia. (W6)
Weld 10 (3/8) min. for wire 6.73 mm dia. (W5.5) thru 4.88 mm dia. (W2.9)
(Other wire shall be tied per detail)

DETAIL A



TRANSVERSE SECTION

All dimensions are in millimeters (inches) unless otherwise shown.

Illinois Department of Transportation

APPROVED January 1, 1997
Ralph E. Anderson
ENGINEER OF BRIDGES AND STRUCTURES

APPROVED January 1, 1997
Ray Stouffer
ENGINEER OF DESIGN AND ENVIRONMENT

ISSUED 1-1-97

DATE	REVISIONS
1-1-97	Renum. Standard 2262-6. Deleted DN Symbol.
11-1-94	Revised metric values.

**REINFORCED CONCRETE
PIPE ELBOW**

STANDARD 542601