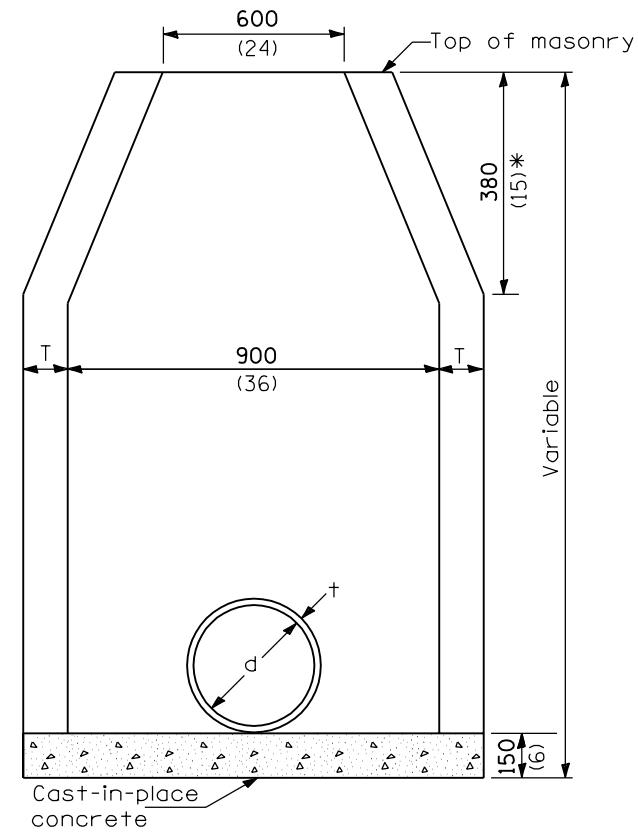
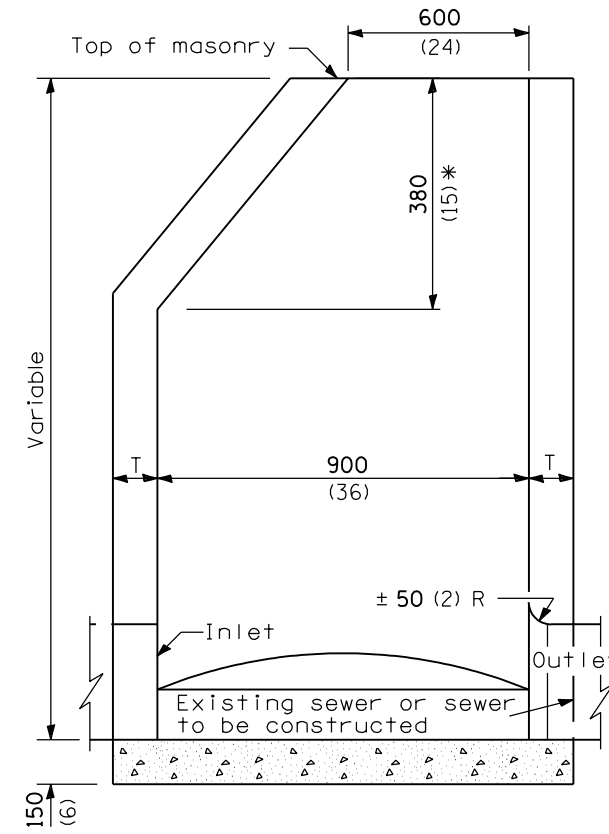


**ELEVATION - ECCENTRIC**

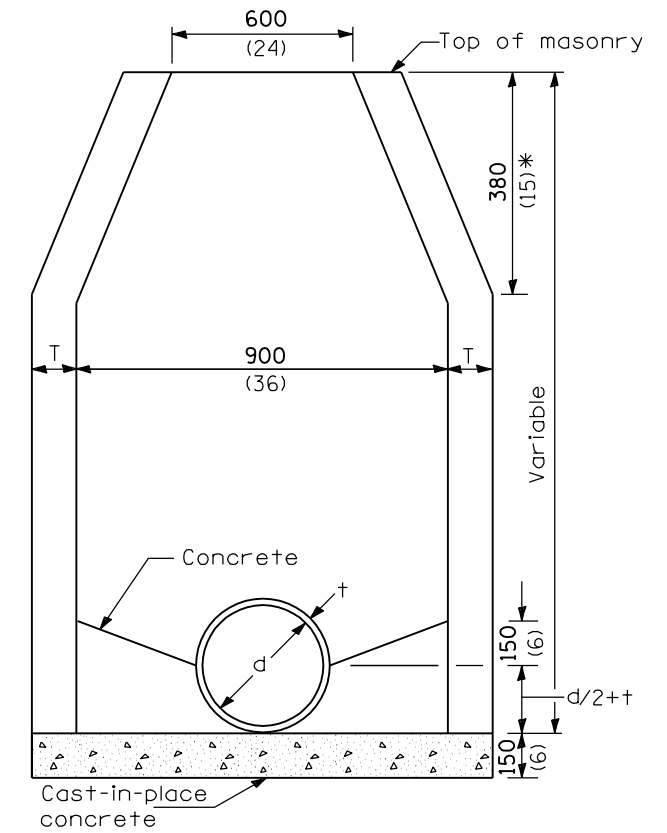


**ELEVATION - CONCENTRIC**

**INLET WITH OUTLET PIPE ONLY**

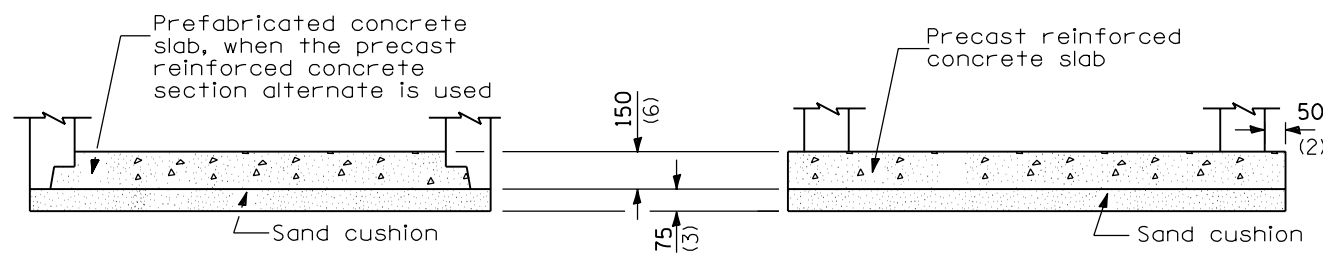


**ELEVATION - ECCENTRIC**



**ELEVATION - CONCENTRIC**

**INLET WITH INLET AND OUTLET PIPES**



**ALTERNATE BOTTOM SLAB**

ALTERNATE MATERIALS FOR WALLS	T (min.)
Concrete Masonry Unit	125 (5)
Brick Masonry	200 (8)
Precast Reinforced Concrete Section	75 (3)
Cast-in-Place Concrete	150 (6)

**GENERAL NOTES**

\* This dimension for Precast Reinforced Concrete Sections may vary from the dimension given to plus 150 mm (6").

See Standard 602601 for Optional Precast Reinforced Concrete Flat Slab Top.

All dimensions are in millimeters (inches) unless otherwise shown.

DATE	REVISIONS
1-1-97	Renum. Standard 2349-1.
	Added set of details with paved bottoms.
6-15-94	Moved G.N. to Specs.
	Added Metric.

**INLET - TYPE B**

**STANDARD 602306**

Illinois Department of Transportation

PASSED January 1, 1997

ISSUED 76-1-1-97

ENGINEER OF POLICY AND PROCEDURES

APPROVED January 1, 1997

ENGINEER OF DESIGN AND ENVIRONMENT