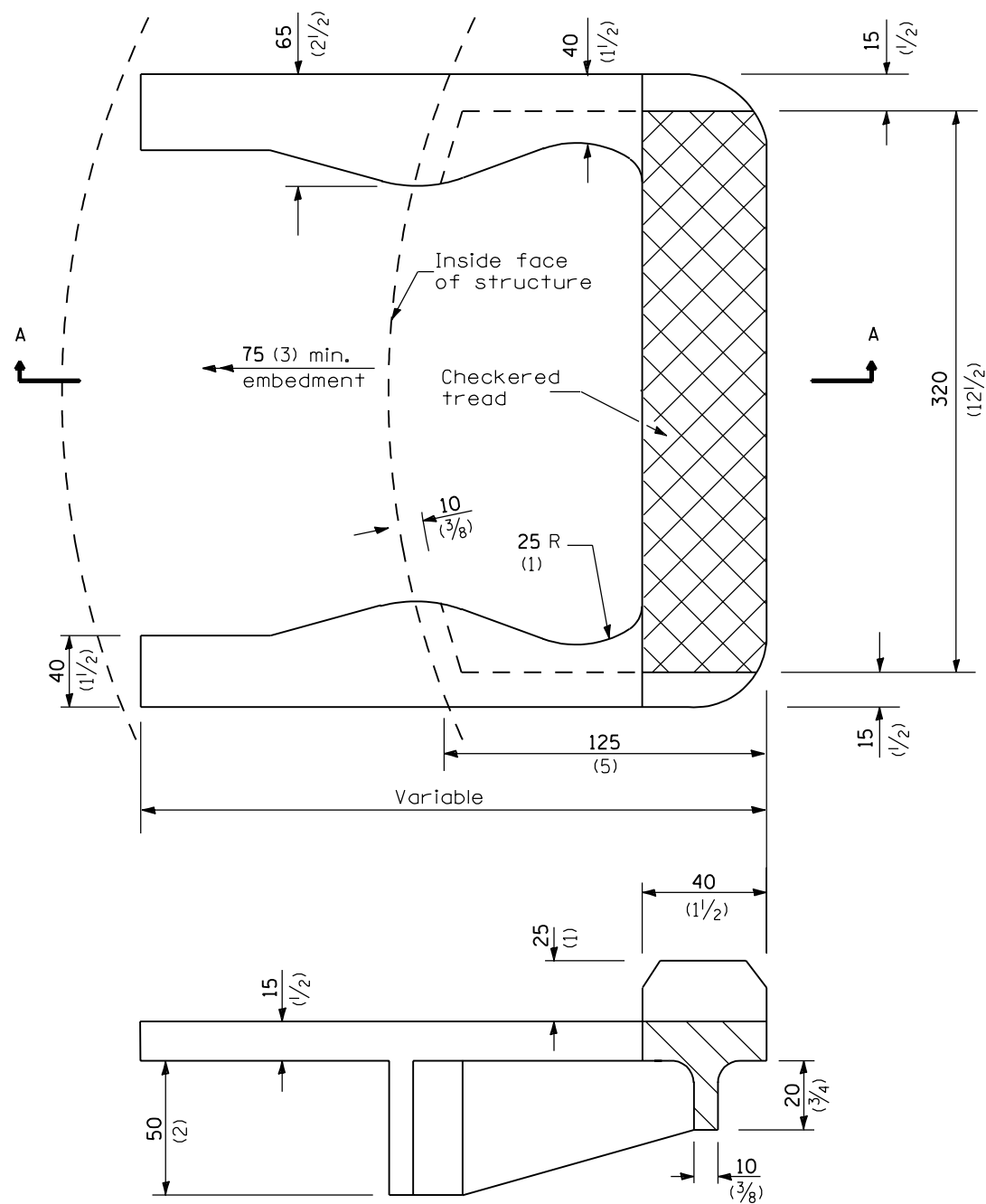


**SECTION A-A**  
**STRAIGHT WALL STRUCTURE**



**SECTION A-A**  
**CIRCULAR WALL STRUCTURE**

All dimensions are in millimeters (inches) unless otherwise shown.

Illinois Department of Transportation

PASSED January 1, 1997

ENGINEER OF POLICY AND PROCEDURES

APPROVED January 1, 1997

ENGINEER OF DESIGN AND ENVIRONMENT

ISSUED 26-1-1

DATE	REVISIONS
1-1-97	Renum. Standard 2447.
6-15-94	New standard. Deleted step details from other standards.

**CAST IRON STEPS**

**STANDARD 602701**