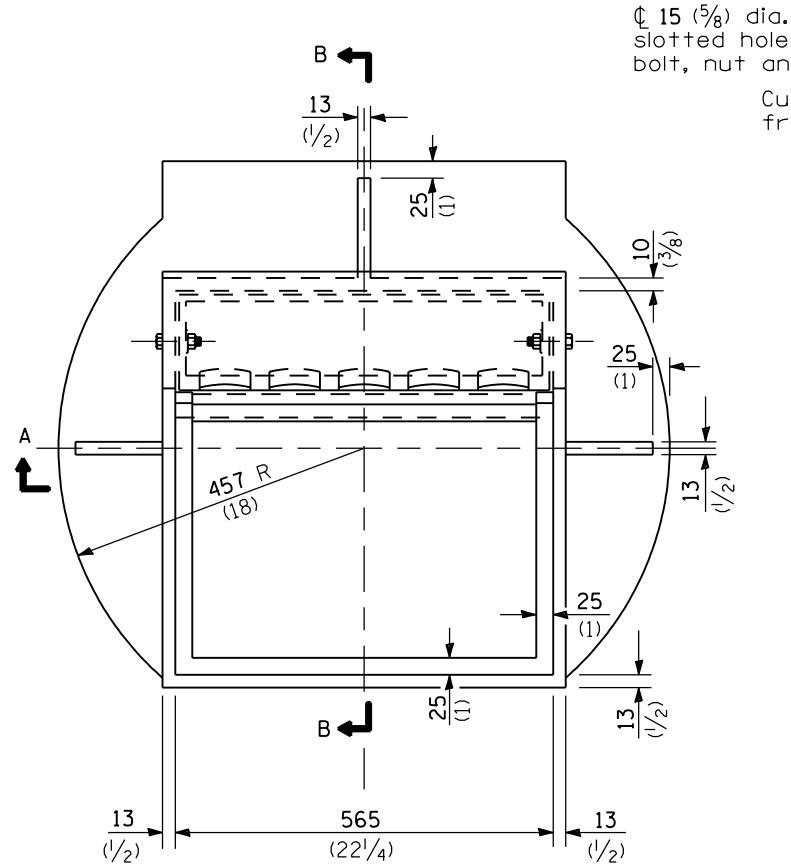
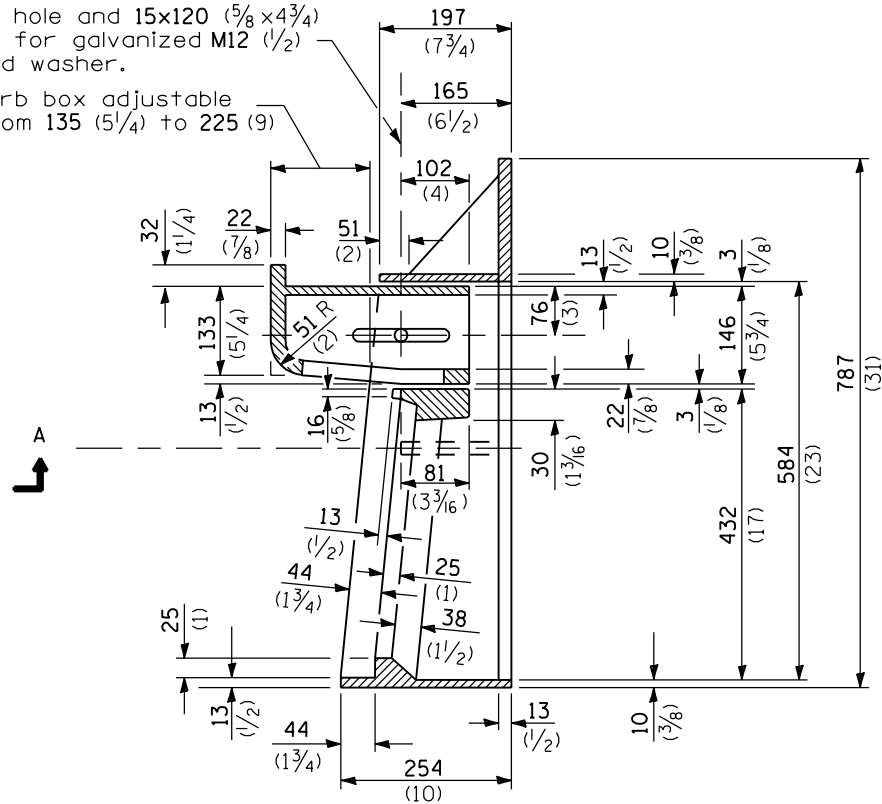


Ø 15 (5/8) dia. hole and 15x120 (5/8 x 4 3/4) slotted hole for galvanized M12 (1/2) bolt, nut and washer.

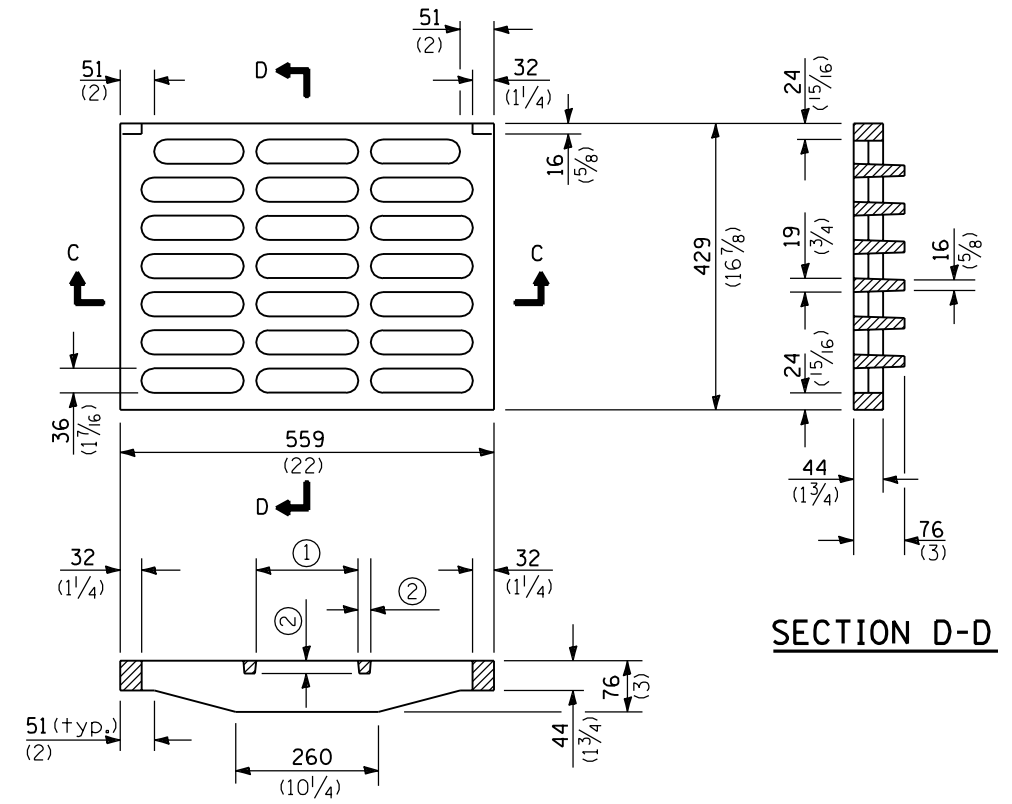
Curb box adjustable from 135 (5 1/4) to 225 (9)



**SECTION A-A**



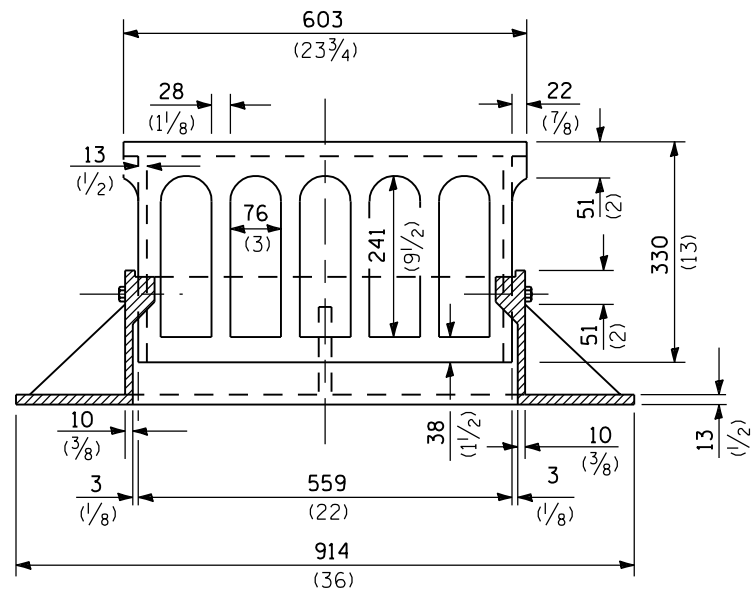
**SECTION B-B**



**SECTION C-C**

- ① = 152 (6) typ.
- ② = 19 (3/4) typ.

**SECTION D-D**



**CAST FRAME**

**CAST GRATE**

All dimensions are in millimeters (inches) unless otherwise shown.

Illinois Department of Transportation

PASSED January 1, 2004  
*Michael Brand*  
 ENGINEER OF POLICY AND PROCEDURES

APPROVED January 1, 2004  
*Michael L. Hine*  
 ENGINEER OF DESIGN AND ENVIRONMENT

ISSUED 26-1-1

| DATE   | REVISIONS   |
|--------|---|
| 1-1-04 | Revised frame and removed weights.                  |
| 1-1-02 | Added support bar to frame & revised frame & grate. |

**FRAME AND GRATE  
TYPE 3**

---

**STANDARD 604006-02**