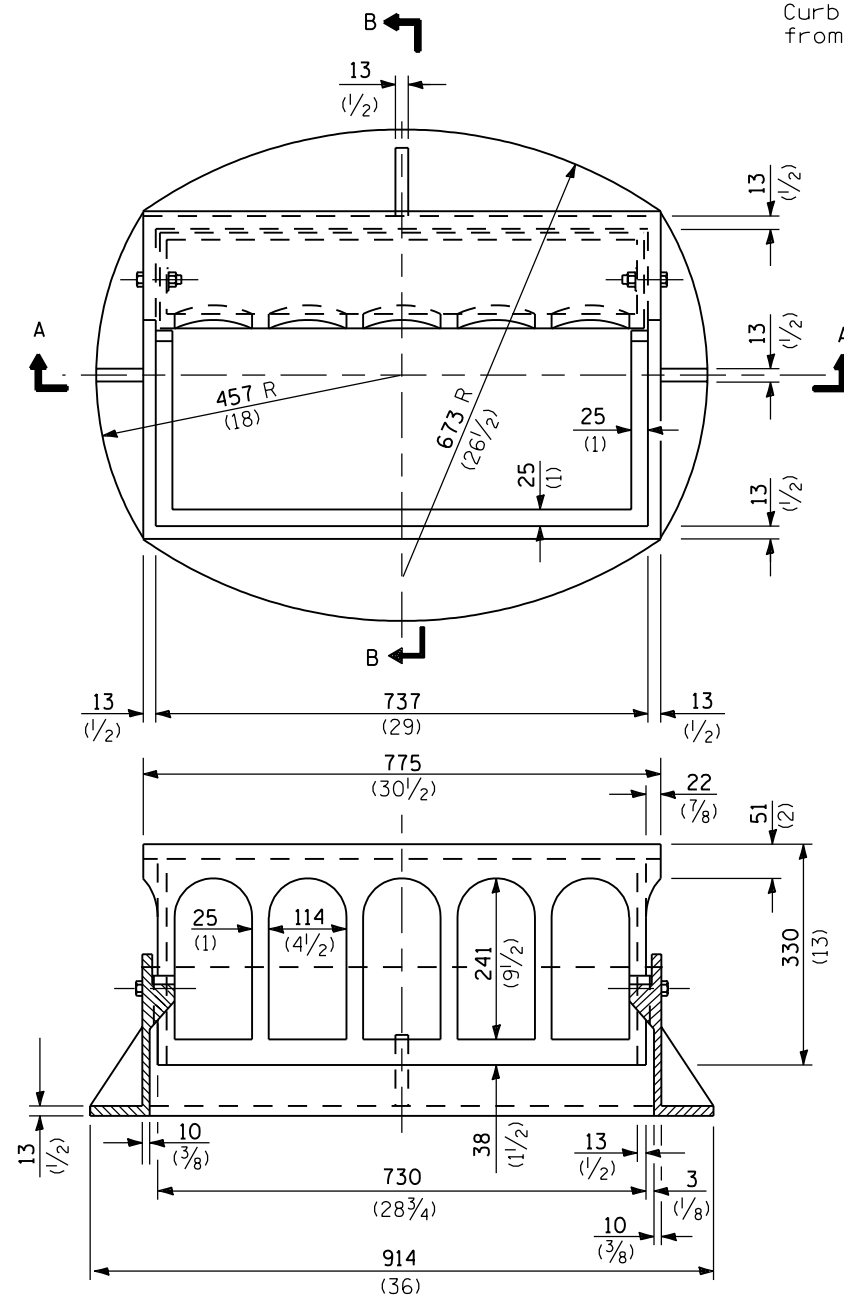


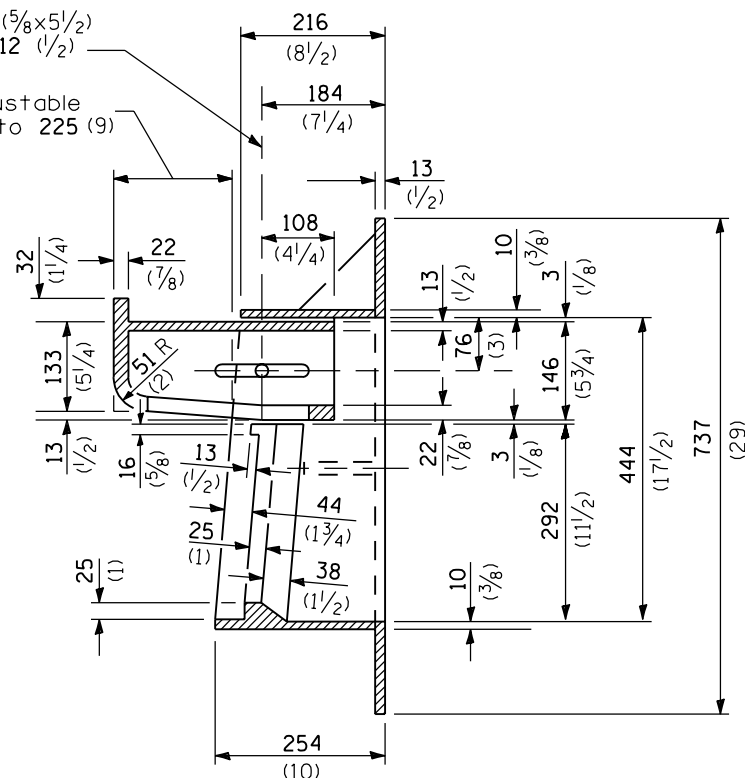
Ø 16 (5/8) Dia. hole and 16x140 (5/8x5 1/2) slotted hole for galvanized M12 (1/2) bolt, nut, and washer.

Curb box adjustable from 115 (4 1/2) to 225 (9)

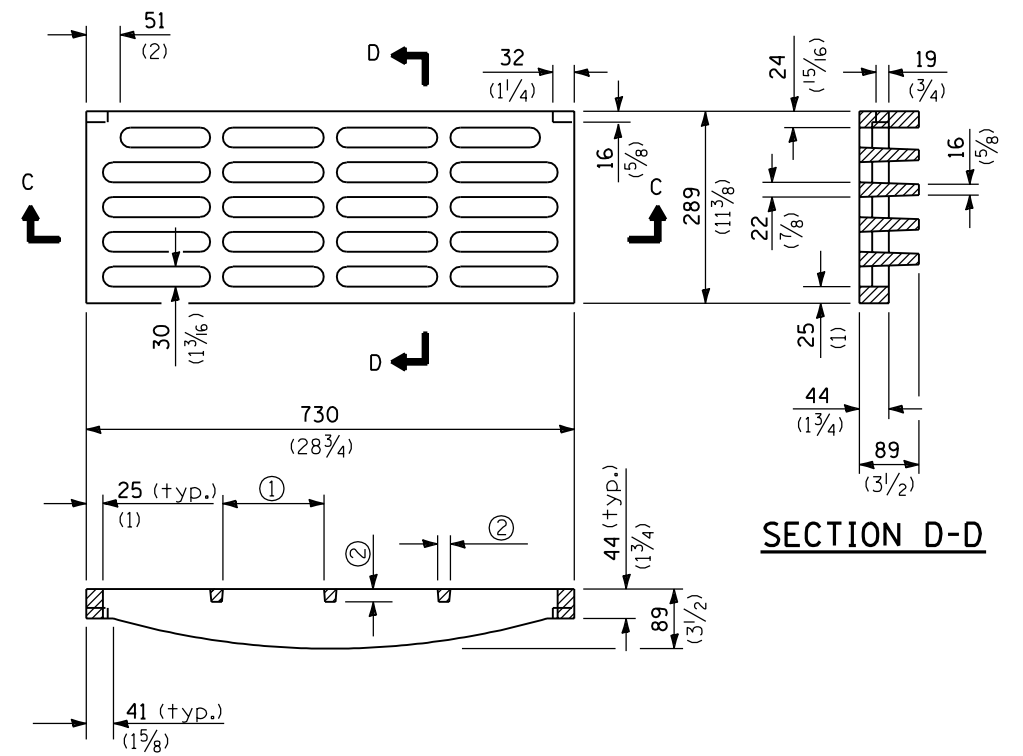


SECTION A-A

CAST FRAME



SECTION B-B



SECTION C-C

- ① = 159 (6 1/4) max. (typ.)
- ② = 19 (3/4) min. (typ.)

CAST GRATE

SECTION D-D

All dimensions are in millimeters (inches) unless otherwise shown.

Illinois Department of Transportation

PASSED January 1, 2004
Michael Brand
 ENGINEER OF POLICY AND PROCEDURES

APPROVED January 1, 2004
Michael L. Hine
 ENGINEER OF DESIGN AND ENVIRONMENT

ISSUED 1-1-9-1

DATE	REVISIONS
1-1-04	Revised frame and removed weights.
1-1-97	Renum. Standard 2220-5.

**FRAME AND GRATE
TYPE 11**

STANDARD 604051-01