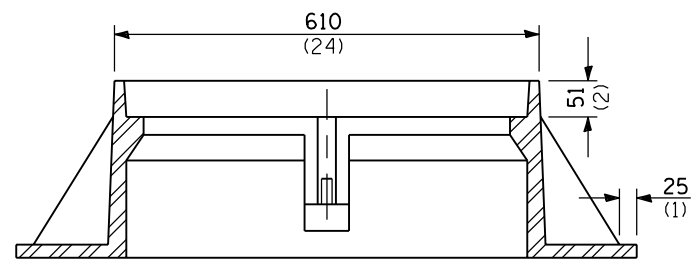
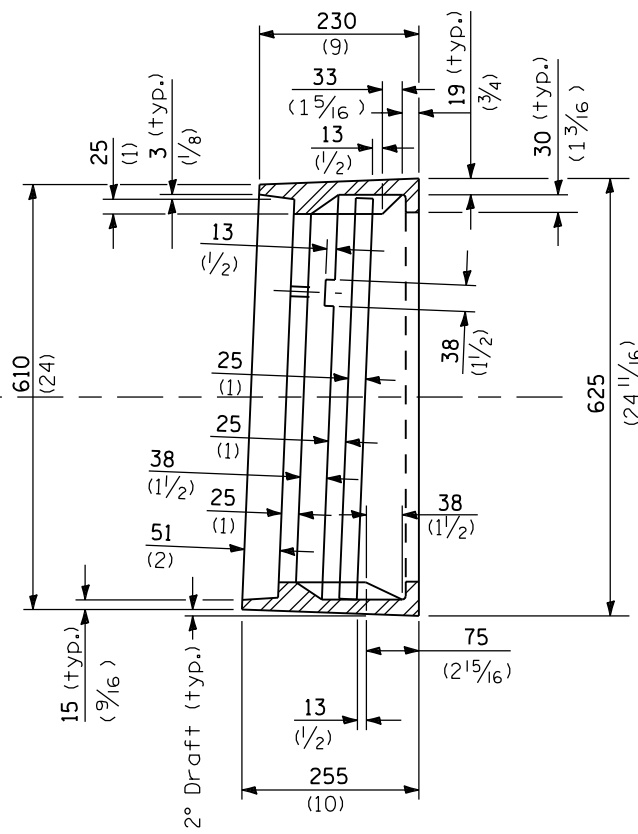


TOP VIEW

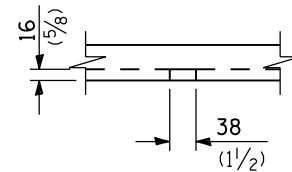


SECTION A-A

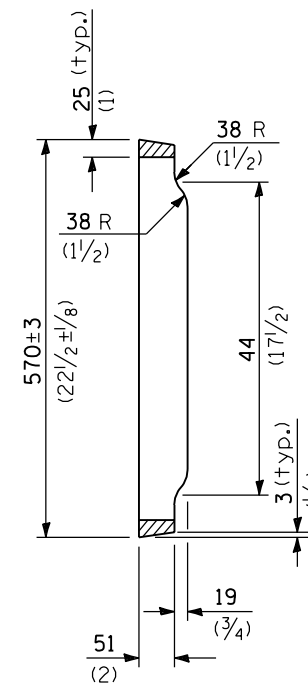
CAST FRAME



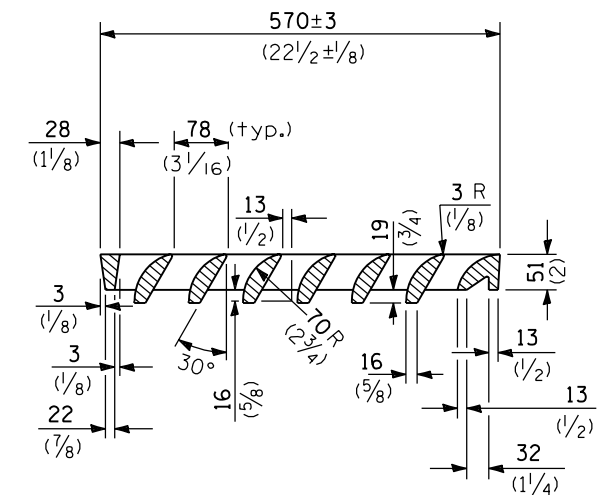
SECTION B-B



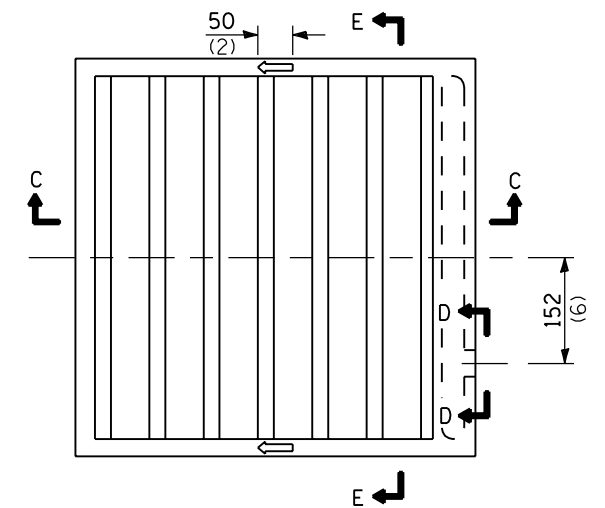
SECTION D-D



SECTION E-E



SECTION C-C



CAST GRATE

All dimensions are in millimeters (inches) unless otherwise shown.

DATE	REVISIONS
1-1-04	Removed weights.
1-1-98	Revised grate weight.

FRAME AND GRATE
TYPE 20

STANDARD 604071-02

Illinois Department of Transportation

PASSED January 1, 2004
Michael Brand
ENGINEER OF POLICY AND PROCEDURES

APPROVED January 1, 2004
Michael L. Hine
ENGINEER OF DESIGN AND ENVIRONMENT

ISSUED 1-1-98
27