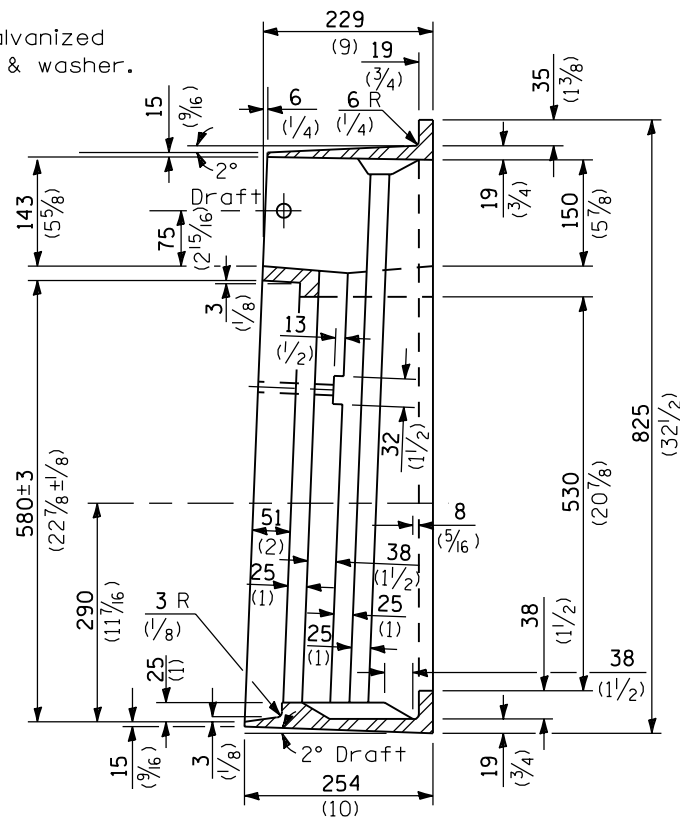


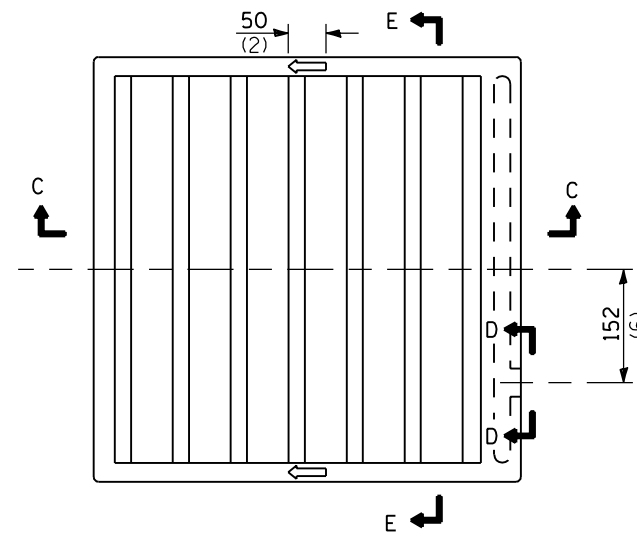
TOP VIEW

M16 (5/8) Galvanized bolt, nut, & washer.

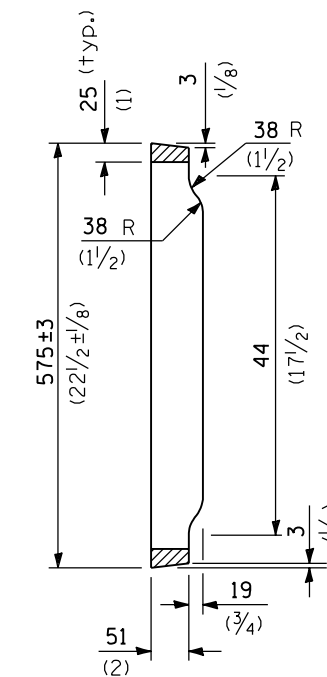
FRAME



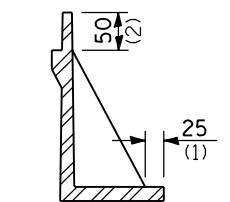
SECTION B-B



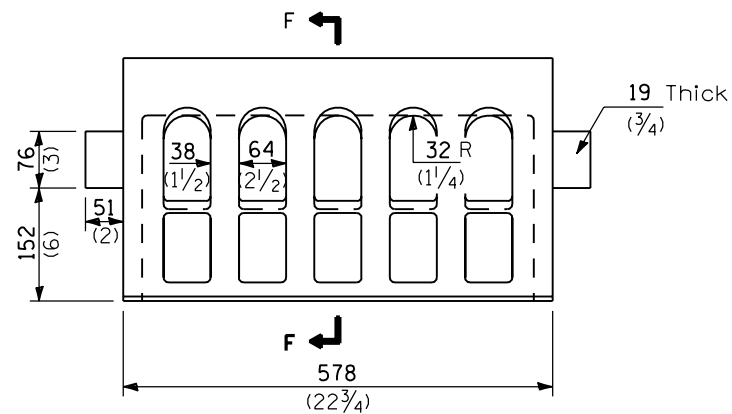
SECTION C-C



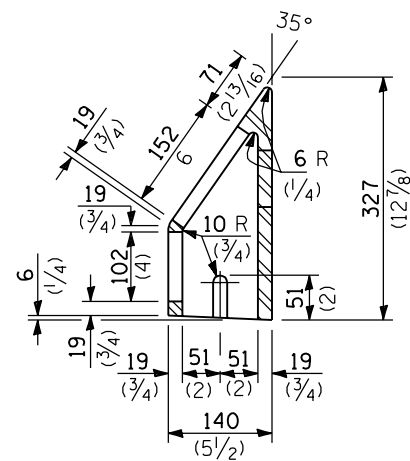
SECTION D-D



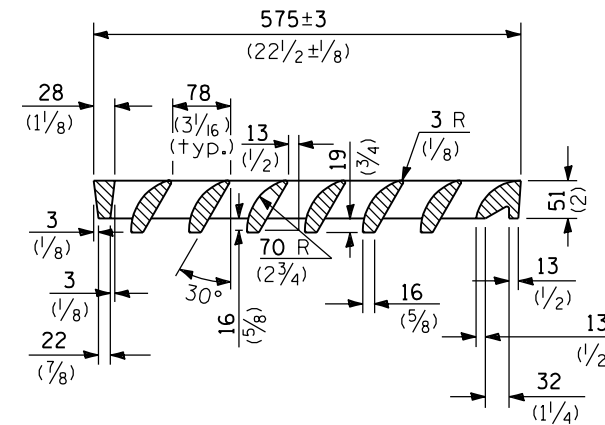
SECTION A-A



BARRIER BOX

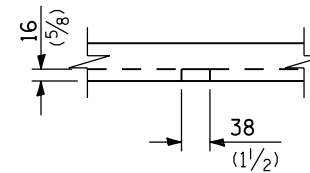


SECTION F-F



SECTION C-C

CAST GRATE



SECTION D-D

All dimensions are in millimeters (inches) unless otherwise shown.

DATE	REVISIONS
1-1-04	Removed weights.
1-1-98	Revised grate weight.

FRAME AND GRATE
TYPE 21

STANDARD 604076-02

Illinois Department of Transportation

PASSED January 1, 2004
Michael Brand
 ENGINEER OF POLICY AND PROCEDURES

APPROVED January 1, 2004
Michael L. Hine
 ENGINEER OF DESIGN AND ENVIRONMENT

ISSUED 26-1-1