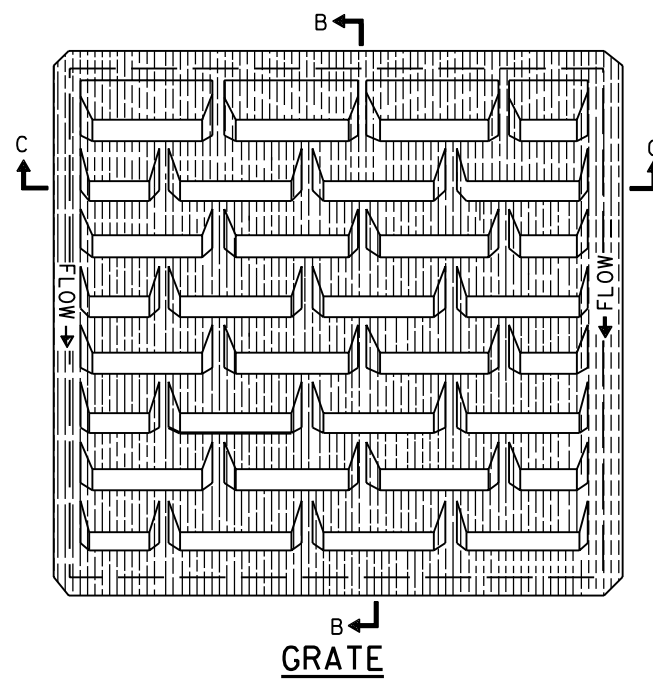
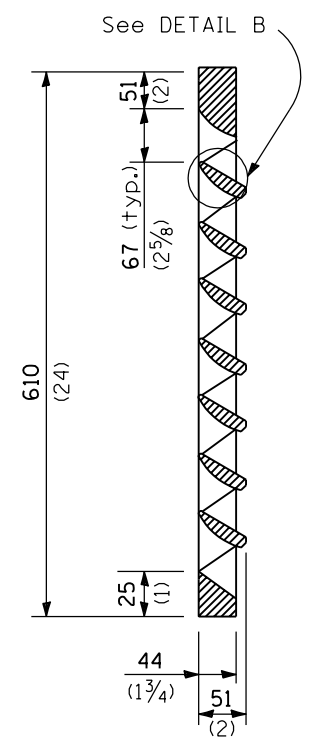


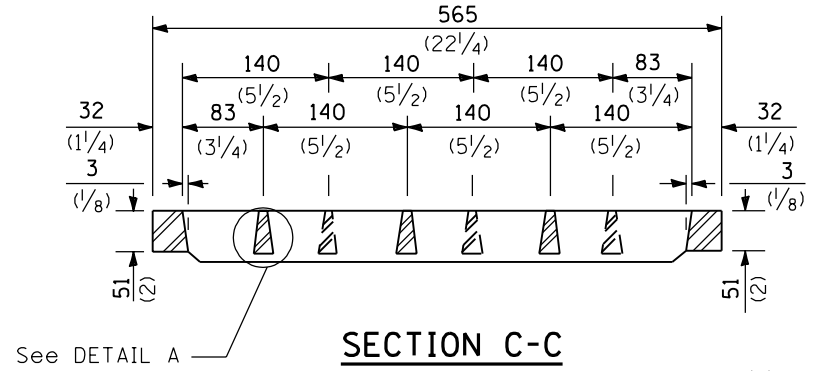
PLAN - FRAME



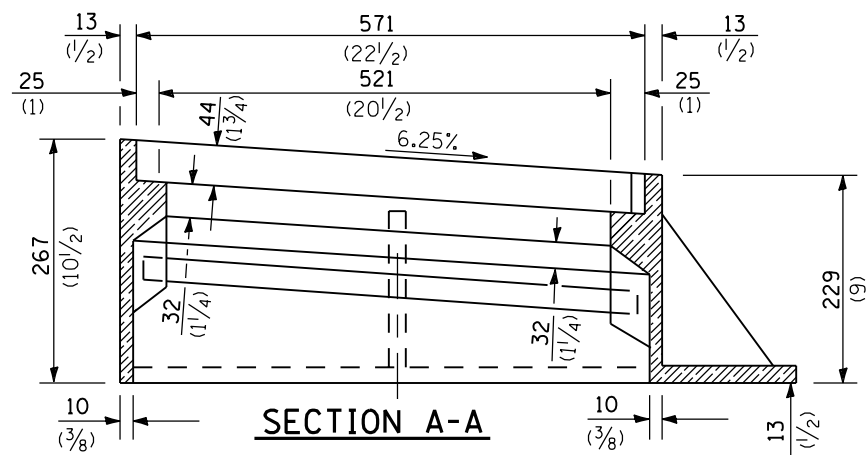
GRATE



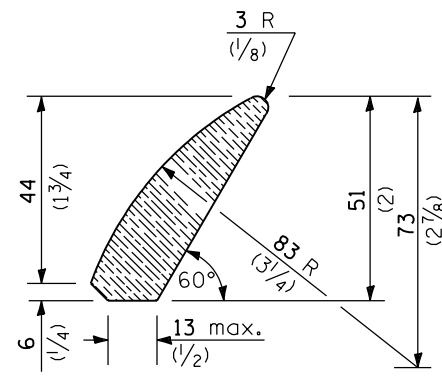
SECTION B-B



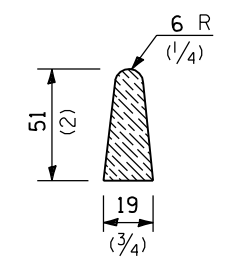
SECTION C-C



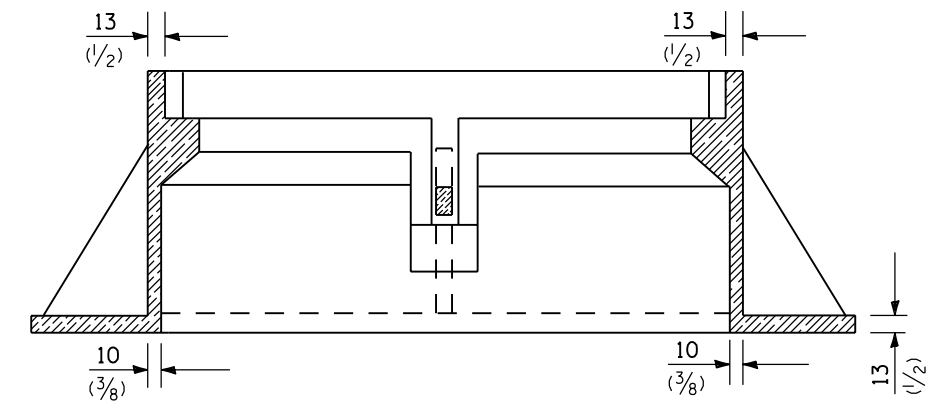
SECTION A-A



DETAIL B



DETAIL A



SECTION D-D

All dimensions are in millimeters (inches) unless otherwise shown.

Illinois Department of Transportation  
 PASSED January 1, 2004  
 Michael Brand  
 ENGINEER OF POLICY AND PROCEDURES  
 APPROVED January 1, 2004  
 Michael L. Hine  
 ENGINEER OF DESIGN AND ENVIRONMENT

DATE	REVISIONS
1-1-04	Revised frame and removed weights.
1-1-97	Renum. Standard 2424-1.

FRAME AND GRATE  
 TYPE 24  
 STANDARD 604091-01