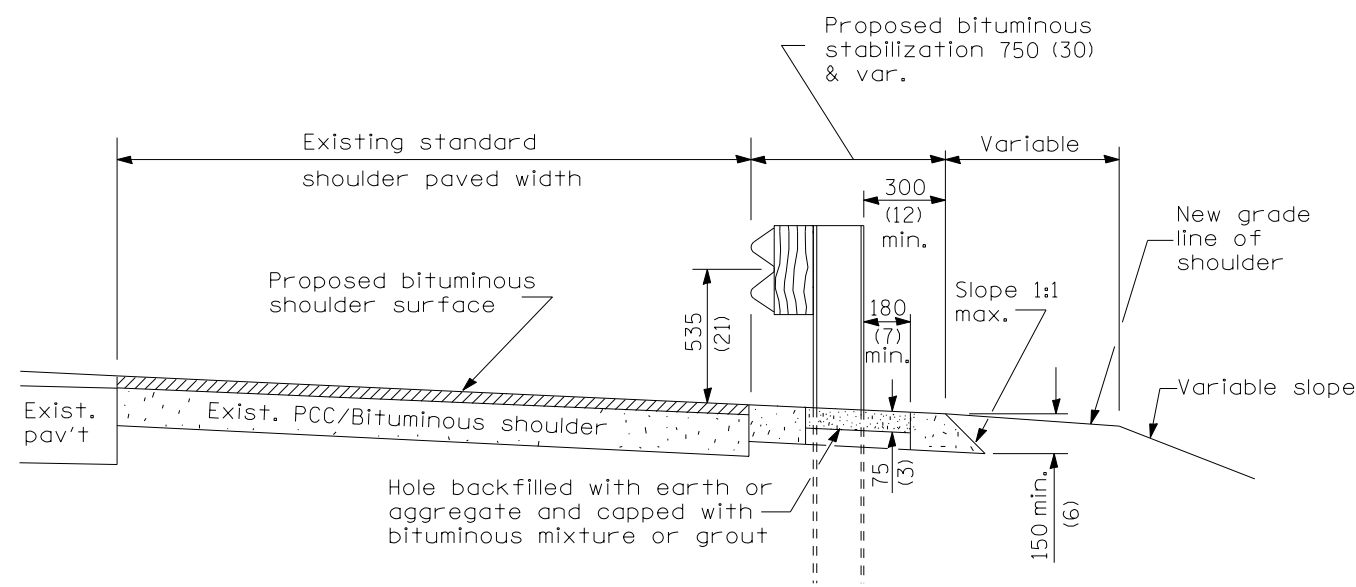
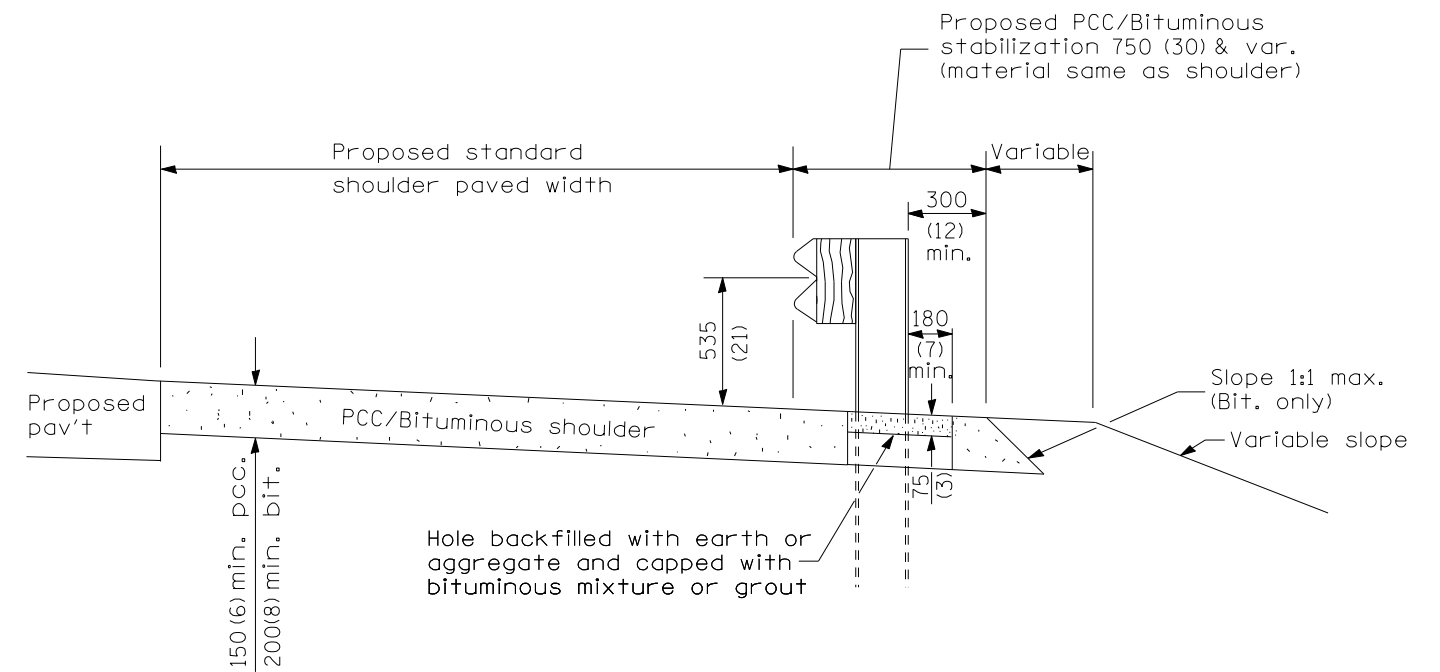


PLAN



RESURFACING



NEW CONSTRUCTION

GENERAL NOTES

See Standard 482001, 482006 or 483001 for details not shown.

All dimensions are in millimeters (inches) unless otherwise shown.

Illinois Department of Transportation

PASSED January 1, 2005  
*Michael Beard*  
 ENGINEER OF POLICY AND PROCEDURES

APPROVED January 1, 2005  
*Michael S. Hine*  
 ENGINEER OF DESIGN AND ENVIRONMENT

ISSUED 1-1-97

DATE	REVISIONS
1-1-05	Added holes in the stabilization for guardrail post.
1-1-00	Change Prop PCC/Bit. to shoulder.

PCC/BITUMINOUS STABILIZATION AT STEEL PLATE BEAM GUARDRAIL

**STANDARD 630201-03**