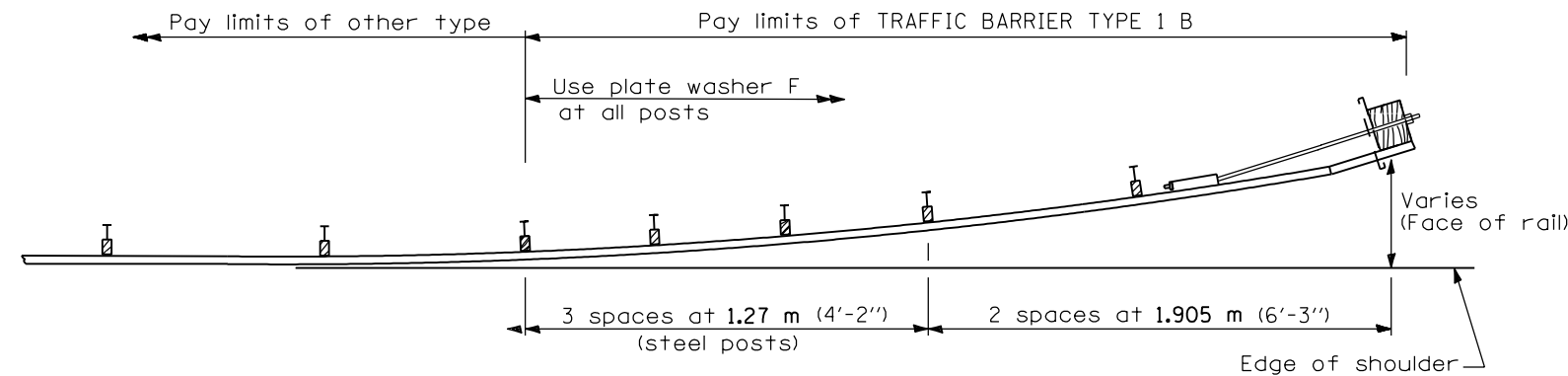
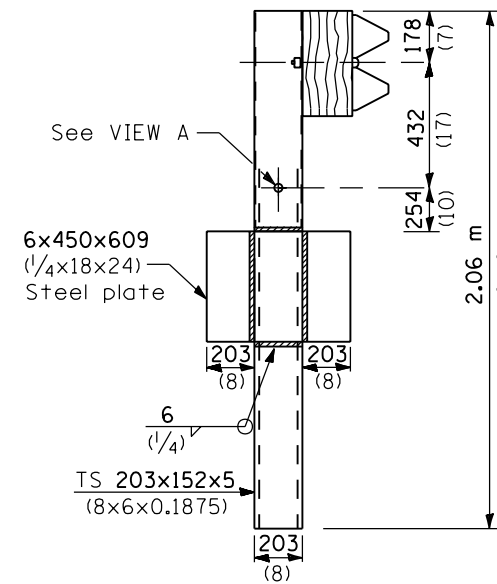


ELEVATION

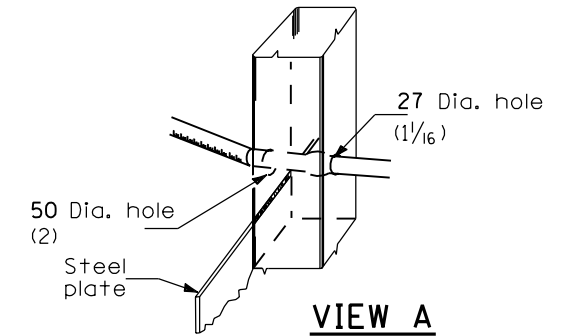


PLAN

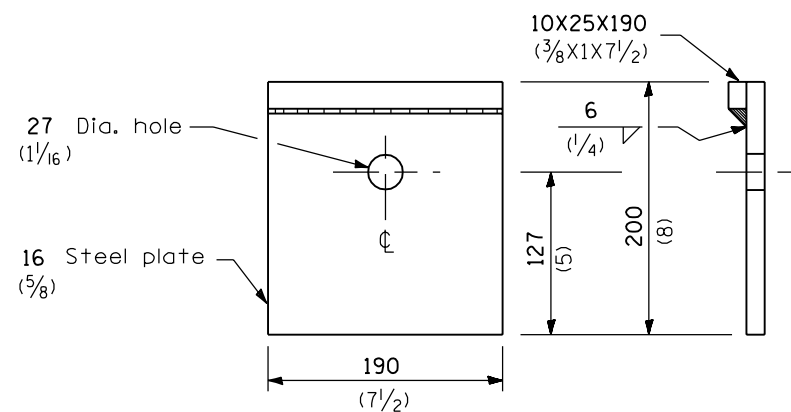


STEEL TUBE & SOIL PLATE

(1 ea.)

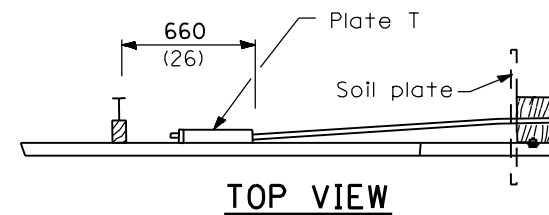


VIEW A

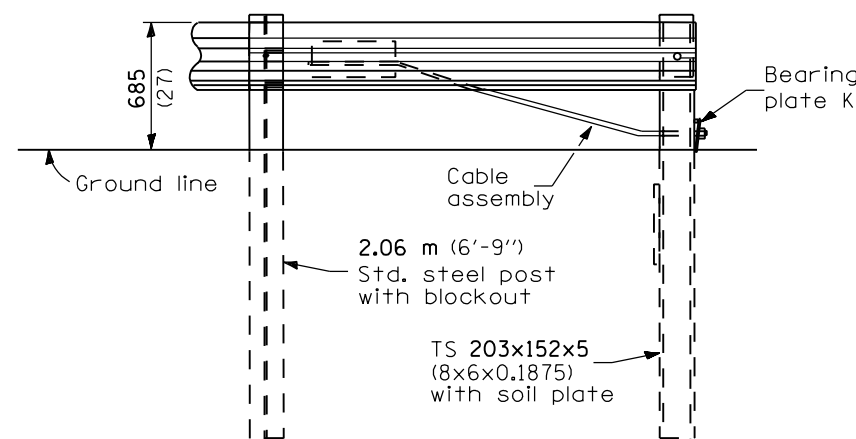


BEARING PLATE K

(1 ea.)



TOP VIEW



TRAFFIC BARRIER TERMINAL

GENERAL NOTES

See Standard 630001 for details of guardrail not shown.

All dimensions are in millimeters (inches) unless otherwise shown.

DATE	REVISIONS
1-1-01	Insert blackout into cross-section view.
1-1-00	Del. Plate A

TRAFFIC BARRIER TERMINAL TYPE 1B

STANDARD 631006-03

Illinois Department of Transportation

PASSED January 1, 2001
Ryan Driskell
 ENGINEER OF POLICY AND PROCEDURES

APPROVED January 1, 2001
Michael L. Hine
 ENGINEER OF DESIGN AND ENVIRONMENT

ISSUED 1-1-97