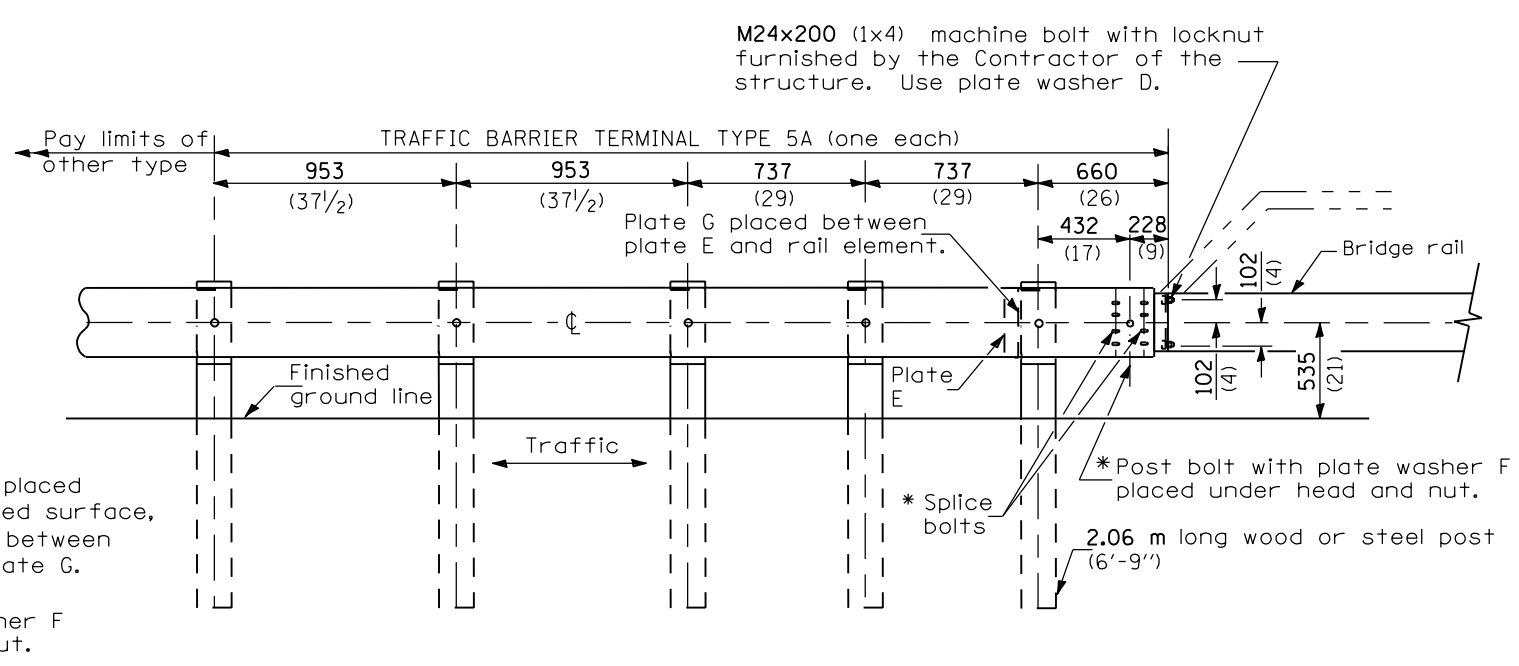
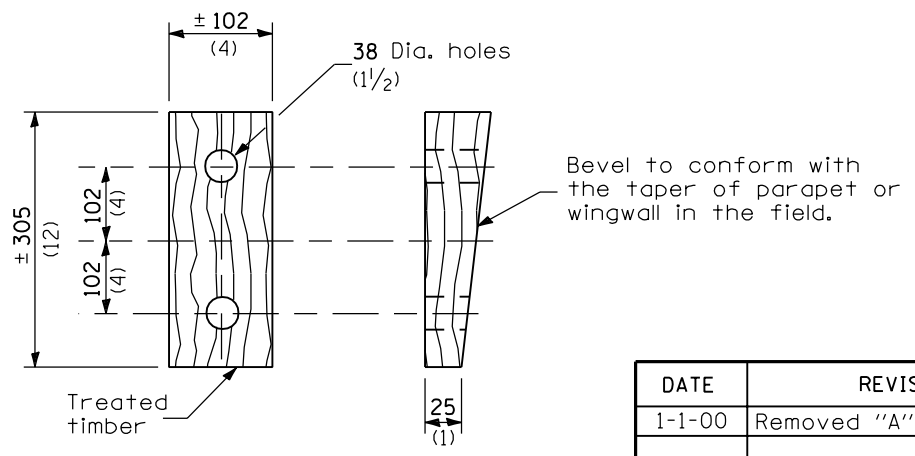
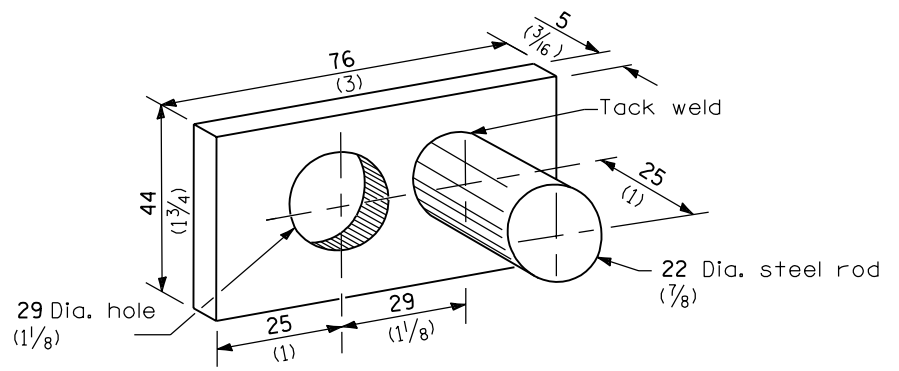
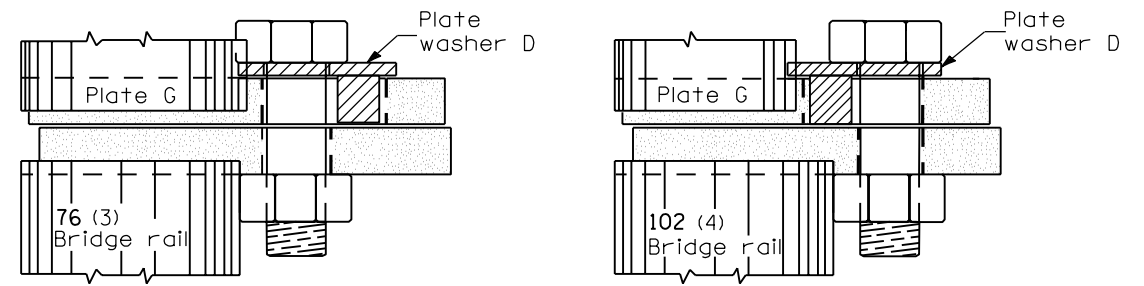
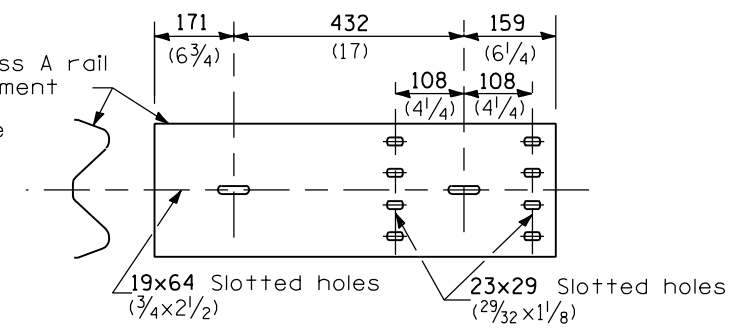
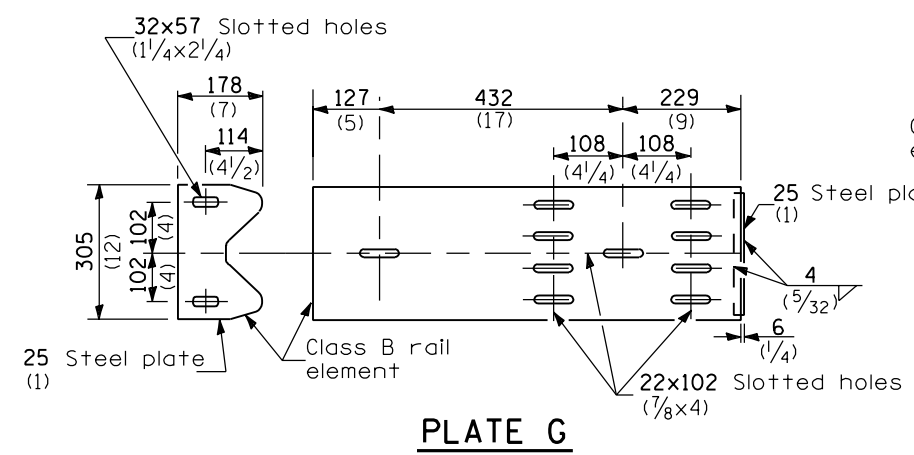


TYPE 5 - CONCRETE BRIDGE PARAPET



TYPE 5A - STEEL BRIDGE RAIL



GENERAL NOTES

Install plate washer D so that the 25 mm (1") projection fills the remainder of the slotted holes in the 25 mm (1") end plate on plate G after the M24 (1") dia. bolts are in place.

* Bolts shall be provided with locknut or double nut and shall be tightened only to a point that will allow plate G to be free to move when an expansion joint exists below the connector.

See Standard 630001 for details of guardrail not shown.

All dimensions are in millimeters (inches) unless otherwise shown.

DATE	REVISIONS
1-1-00	Removed "A" Plates.
10-1-98	Revised to wooden block-out.

TRAFFIC BARRIER TERMINAL TYPE 5 & 5A

STANDARD 631026-02

Illinois Department of Transportation

PASSED January 1, 2000

ISSUED 1-1-99

ENGINEER OF POLICY AND PROCEDURES

APPROVED January 1, 2000

ENGINEER OF DESIGN AND ENVIRONMENT