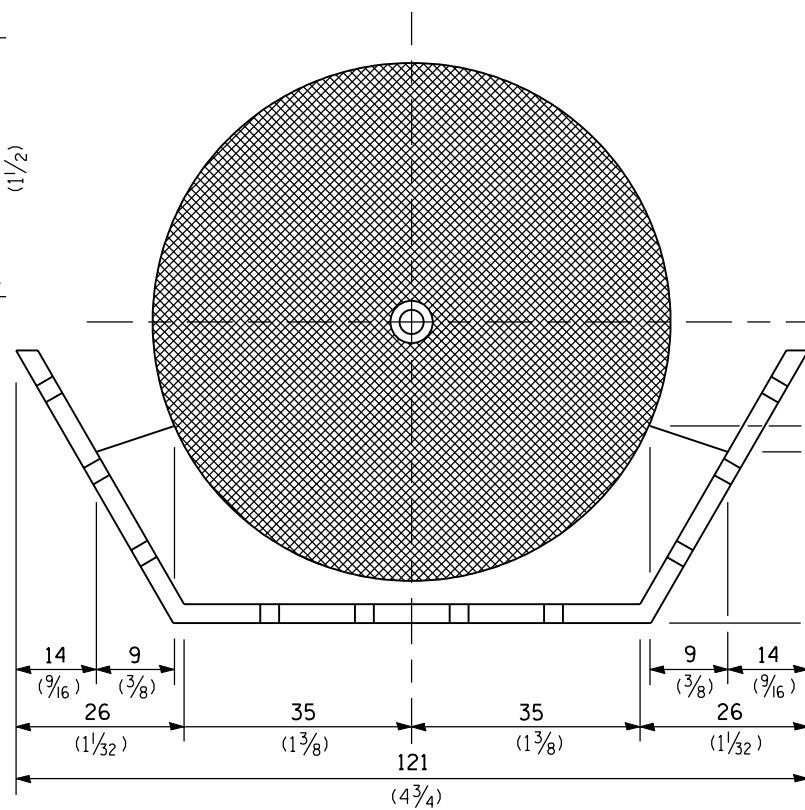
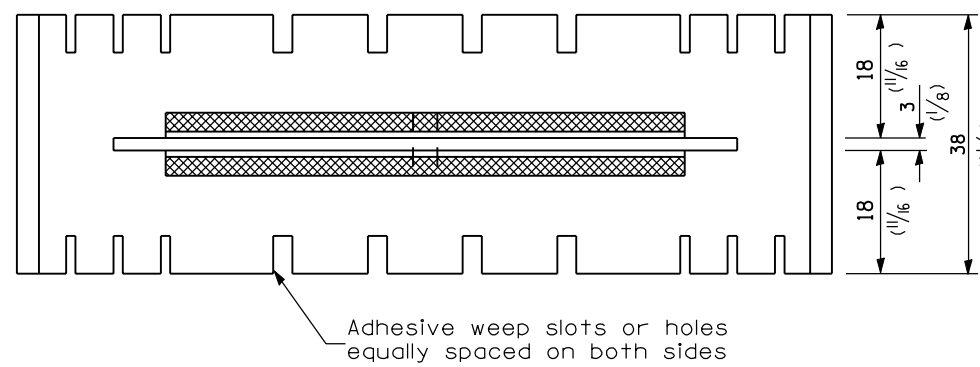
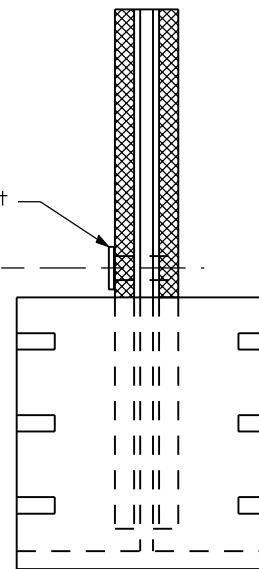


REFLECTOR MARKER TYPE A



Brass or plastic rivet



All dimensions are in millimeters (inches)  
unless otherwise shown.

REFLECTOR MARKER TYPE B

DATE	REVISIONS
1-1-01	Revised signature block.
1-1-00	New Standard

REFLECTOR MARKER AND  
MOUNTING DETAILS

(Sheet 1 of 3)

**STANDARD 635011-01**

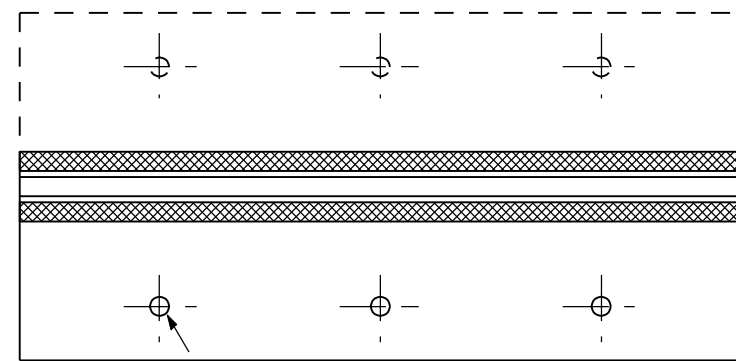
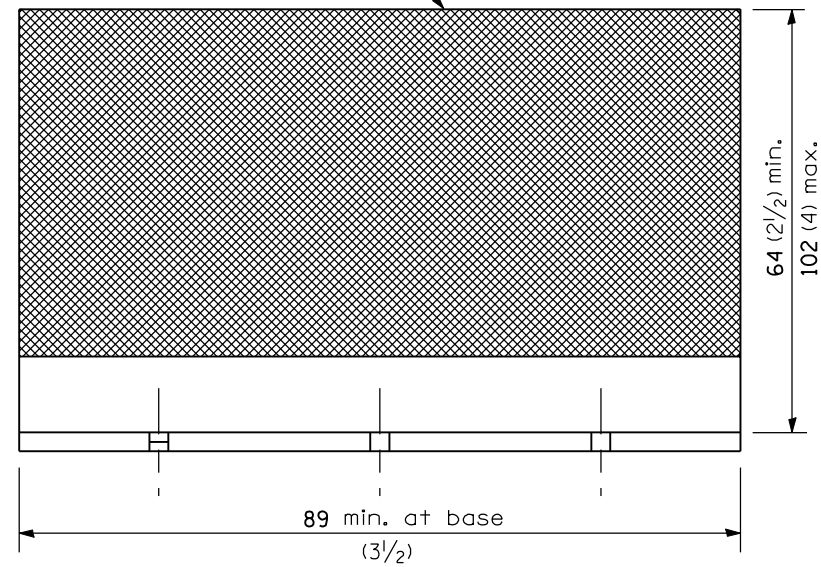
Illinois Department of Transportation

APPROVED January 1, 2001  
ENGINEER OF OPERATIONS

APPROVED January 1, 2001  
ENGINEER OF DESIGN AND ENVIRONMENT

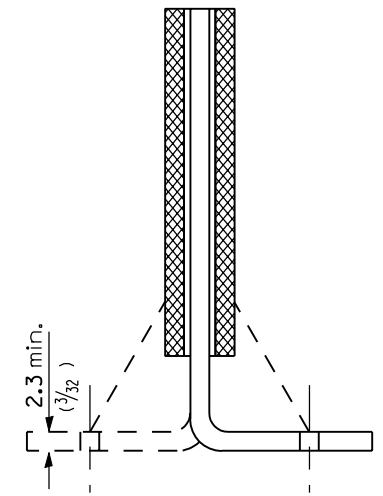
ISSUED 1-1-2001

Min. reflective area  
4,194 mm<sup>2</sup> (6 1/2 Sq. in.)  
each side. May be  
rectangular or slight  
trapezoid.



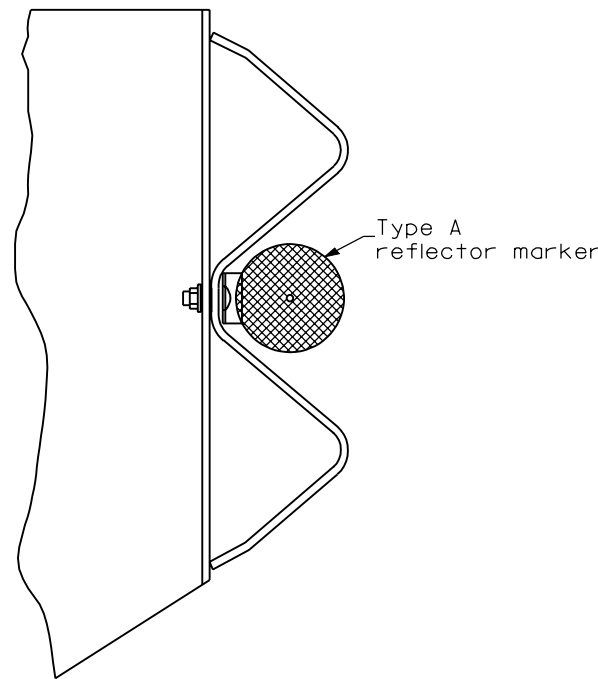
3 min. adhesive weep  
holes or slots each side,  
variable spacing.

Minimum total area of  
base 4,516 mm<sup>2</sup> (7.0 Sq. in.)

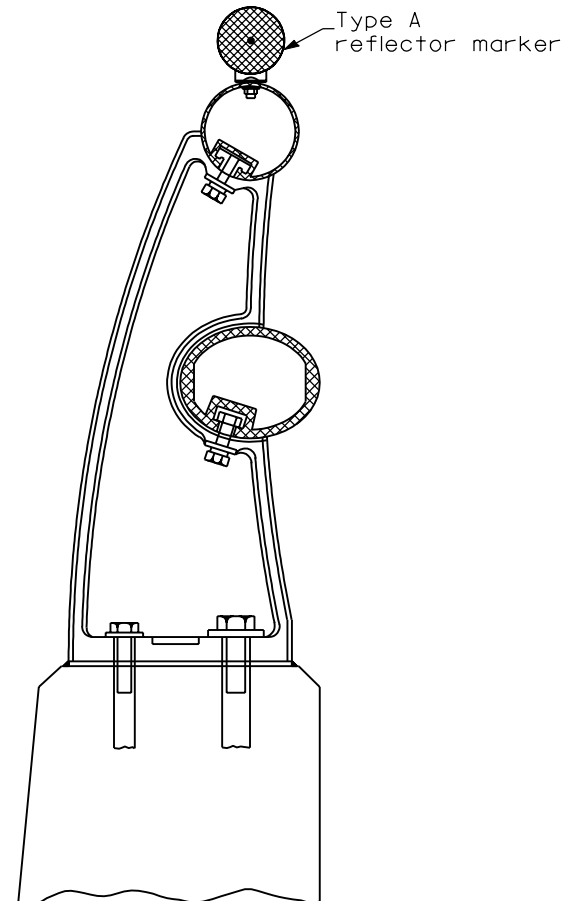


Cross section may be "T"  
or "L" shaped and may have  
side supports at ends.

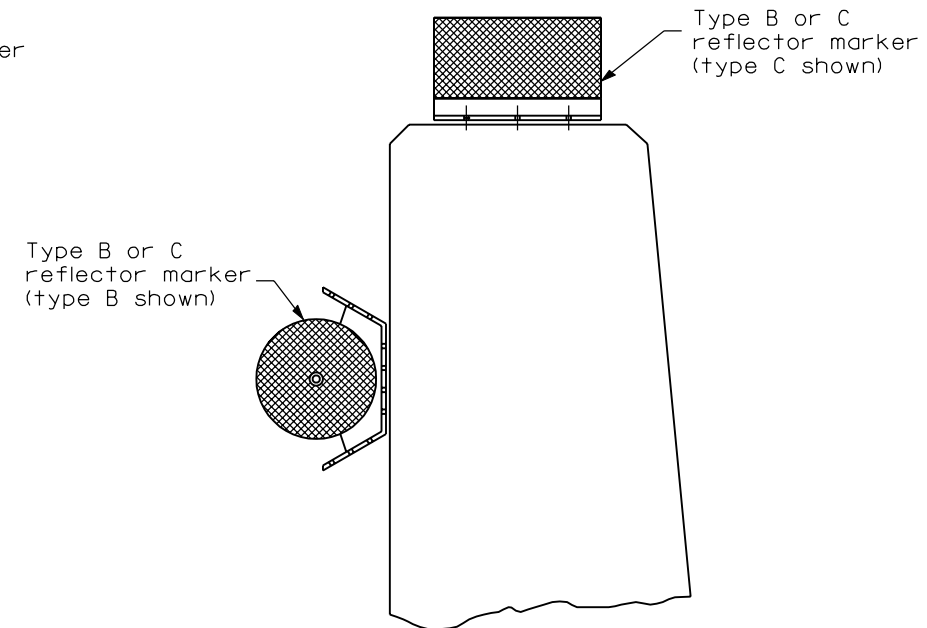
REFLECTOR MARKER TYPE C



TYPICAL MOUNTING WITH REFLECTOR



TYPICAL MOUNTING DETAIL  
FOR BRIDGE RAIL REFLECTOR



TYPICAL MOUNTING DETAIL  
FOR BARRIER WALL REFLECTOR

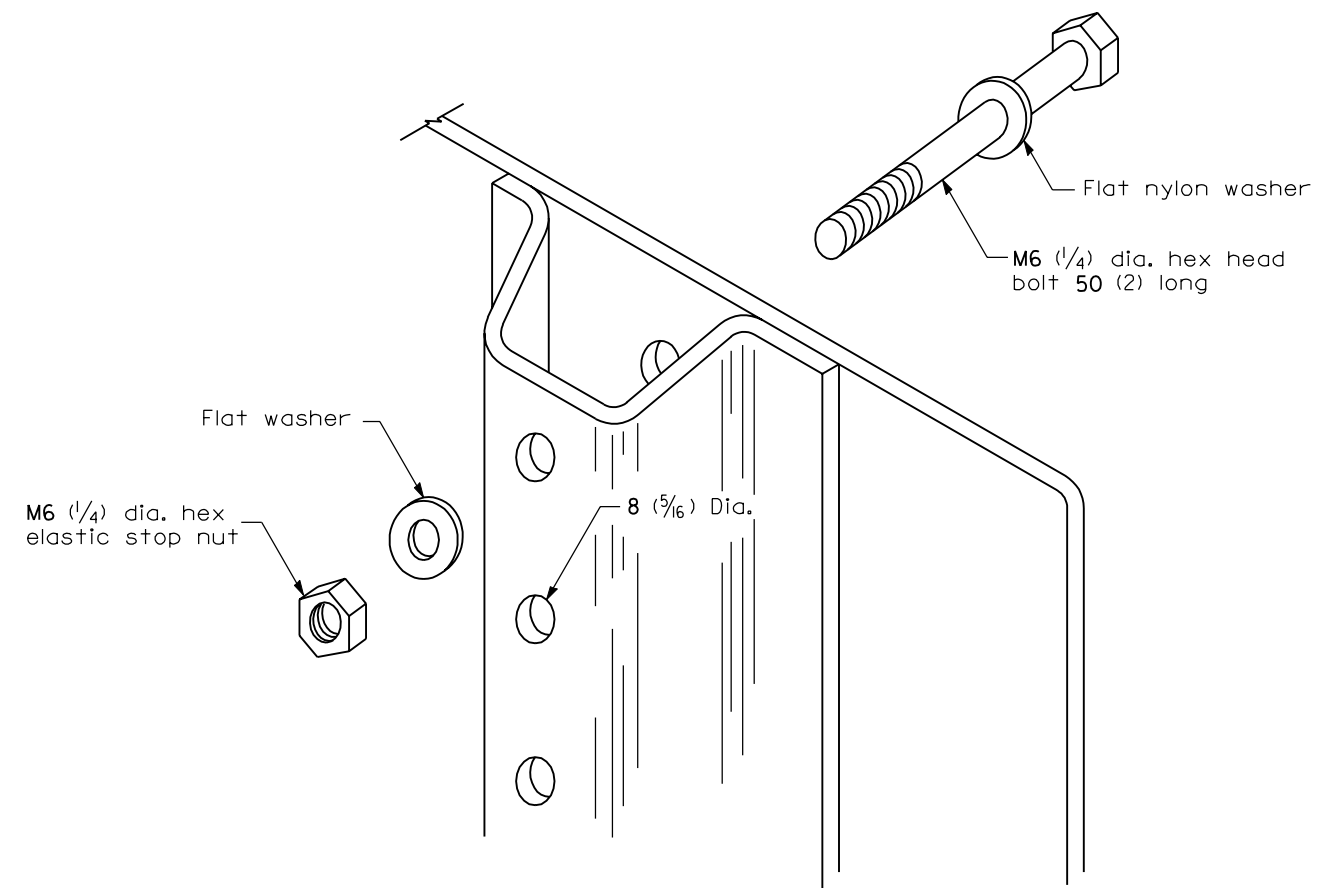
All dimensions are in millimeters (inches)  
unless otherwise shown.

Illinois Department of Transportation	
APPROVED _____ January 1, 2001 ENGINEER OF OPERATIONS	ISSUED 1-1-2000
APPROVED _____ January 1, 2001 ENGINEER OF DESIGN AND ENVIRONMENT	

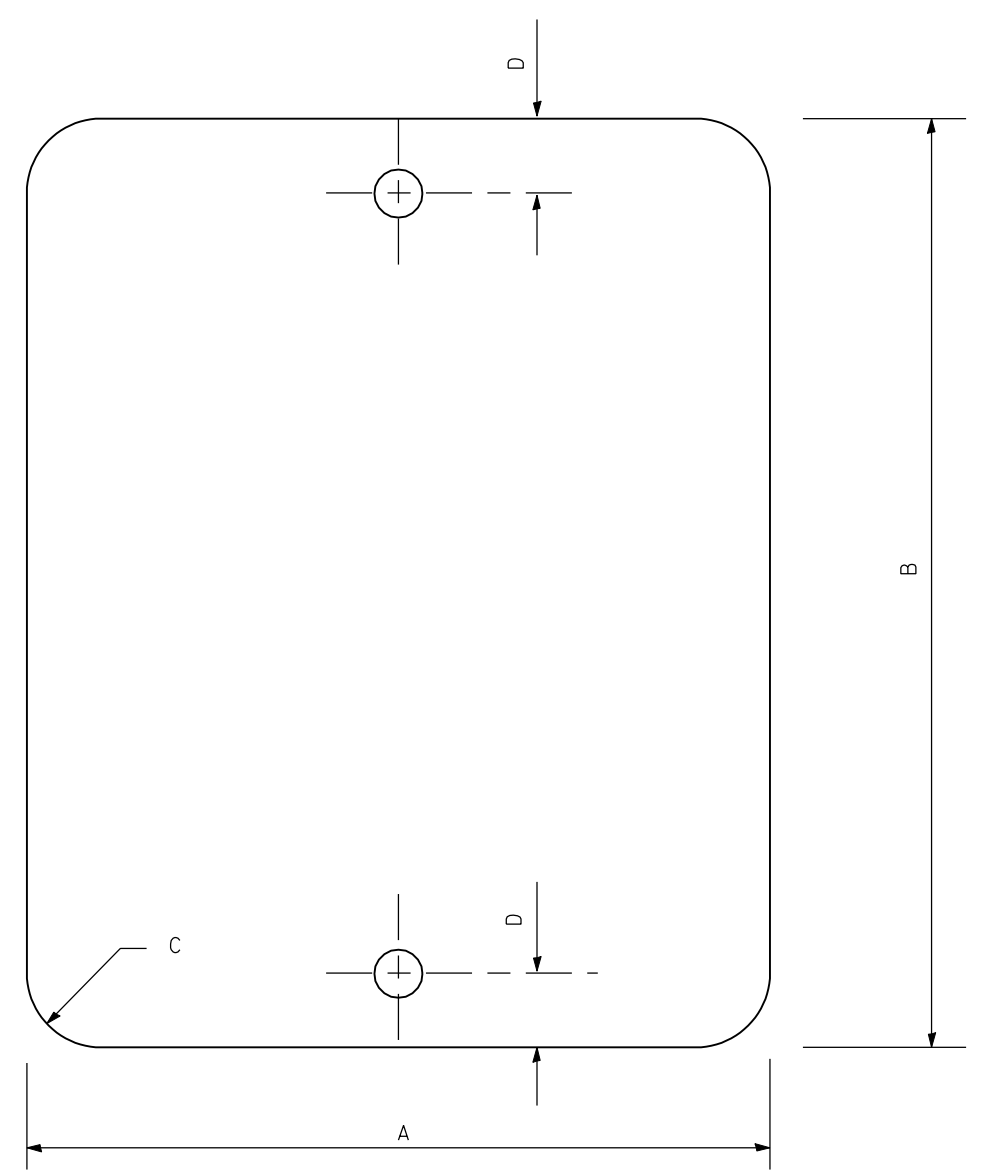
REFLECTOR MARKER AND  
MOUNTING DETAILS

(Sheet 2 of 3)

**STANDARD 635011-01**



DETAIL OF MOUNTING TERMINAL MARKER TO POST



STANDARD TERMINAL MARKER

SIGN SIZE	DIMENSIONS			
	A	B	C	D
305x406 (12x16)	305 (12.0)	406 (16.0)	38 (1.5)	50 (2.0)

All dimensions are in millimeters (inches) unless otherwise shown.

Illinois Department of Transportation

APPROVED                      January 1, 2001  
ENGINEER OF OPERATIONS

APPROVED                      January 1, 2001  
ENGINEER OF DESIGN AND ENVIRONMENT

ISSUED 1-1-2000

REFLECTOR MARKER AND MOUNTING DETAILS

(Sheet 3 of 3)

**STANDARD 635011-01**