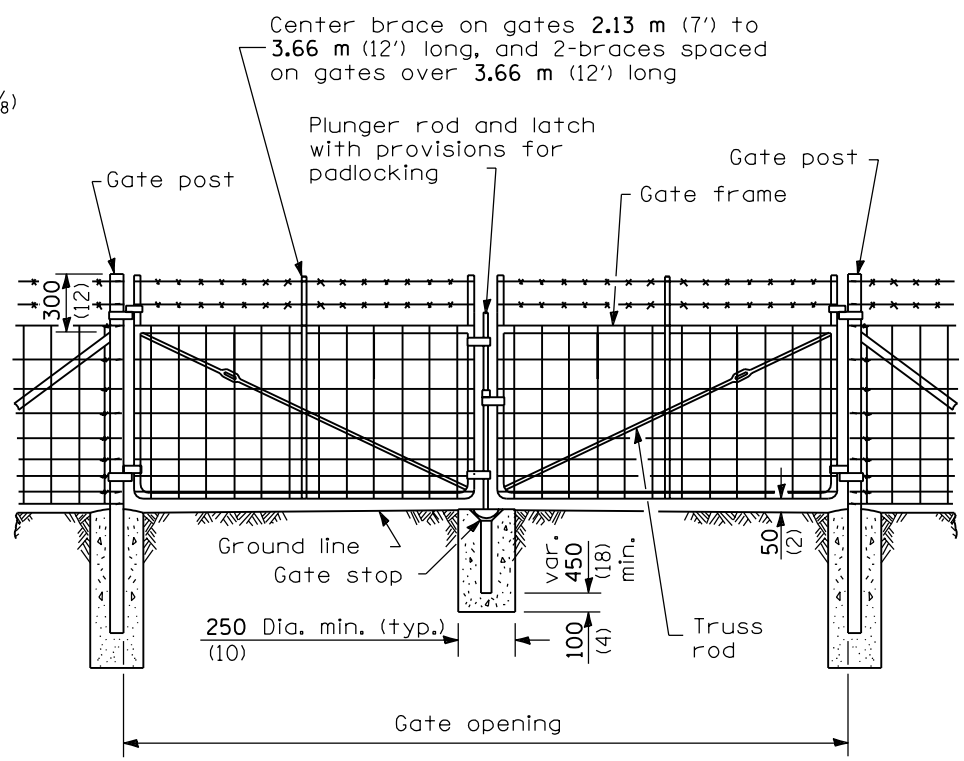
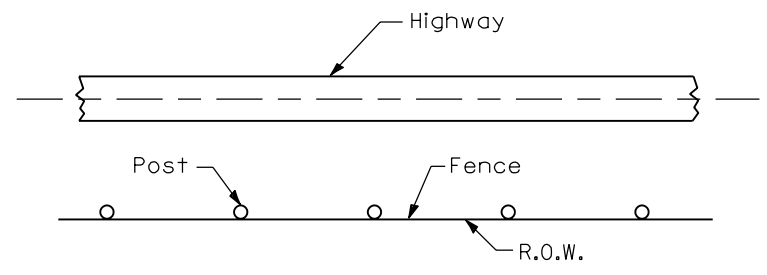


SINGLE GATE



DOUBLE GATE



PLAN

NOTES

Barbed wires shall be tied to each post. Top and bottom wire of woven fence shall be tied to each post. Tie every other wire between, alternating on successive posts.

Barbed wires and line wires of woven fence shall be fastened to the corner, end, pull, and gate posts by wrapping the wires around the post and tying back on itself with not less than 3 twists tightly wrapped.

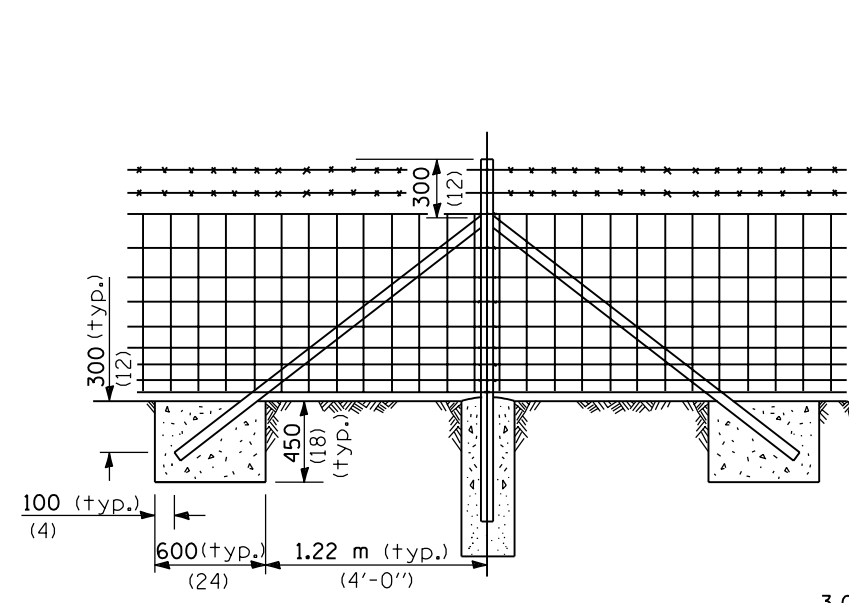
GENERAL NOTES

Pull posts shall be placed at the locations determined by the Engineer. They shall be placed at 200 m (660') intervals between posts to which the ends of the fabric and barbed wires are fastened or midway between such posts when the distance is less than 400 m (1320') and greater than 200 m (660').

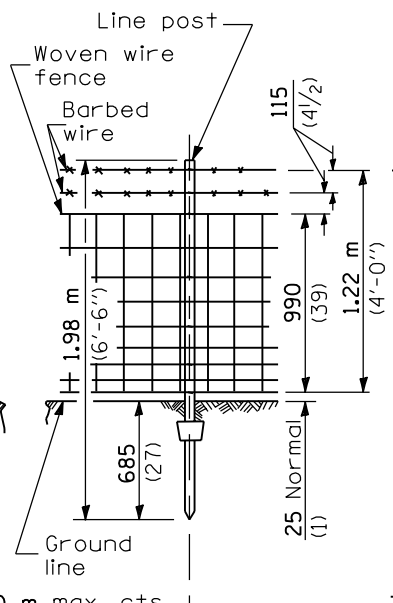
Bracing for gate posts shall be the same type used for end posts.

The clearance between the bottom fence wire and the ground may be up to 75 mm (3") for a maximum distance of 2.4 m (8') when uneven ground is encountered.

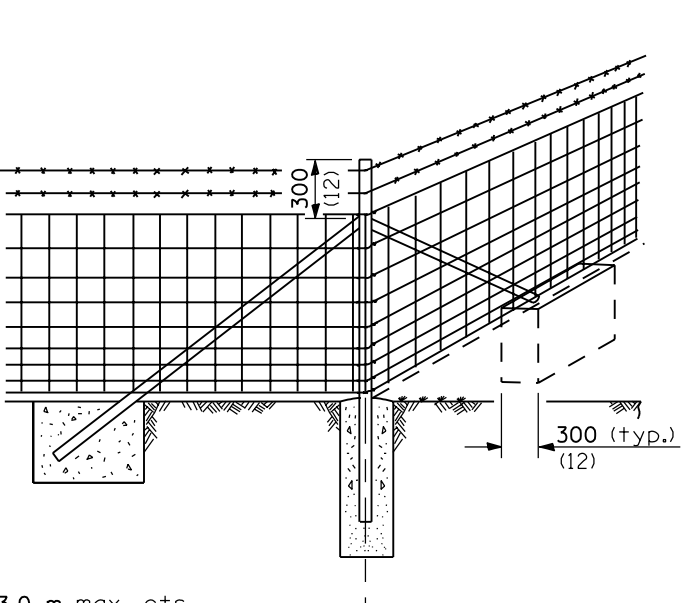
All dimensions are in millimeters (inches) unless otherwise shown.



PULL POST



LINE POST



CORNER OR END POST

Illinois Department of Transportation

PASSED January 1, 2002
Ryan Driskell
 ENGINEER OF POLICY AND PROCEDURES

APPROVED January 1, 2002
Michael L. Hine
 ENGINEER OF DESIGN AND ENVIRONMENT

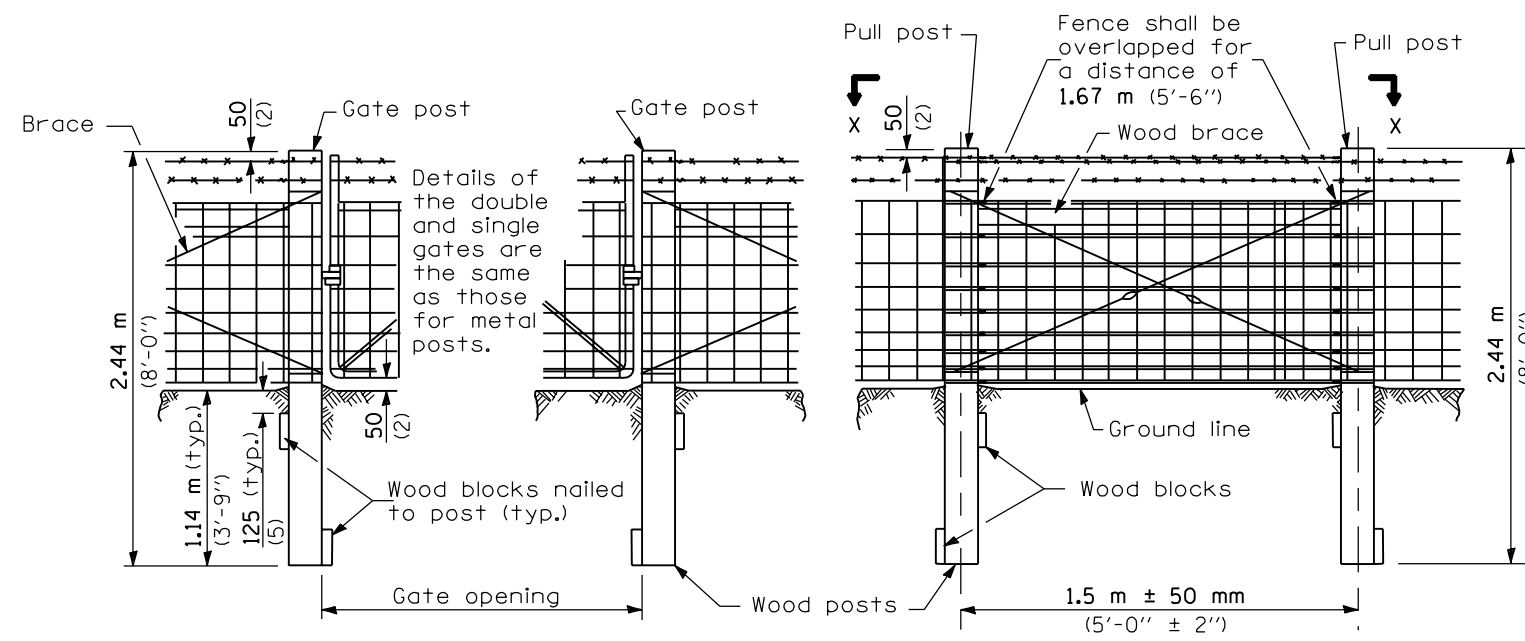
ISSUED 26-1-1

DATE	REVISIONS
1-1-02	Corrected dimensions on sheet 3 and 4.
1-1-97	Renum. Standard 2169-8. Deleted DN Symbol.

WOVEN WIRE FENCE

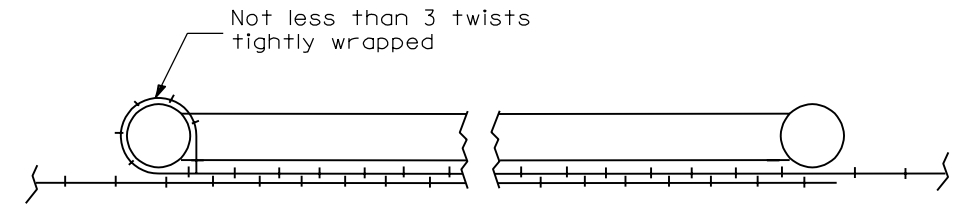
(Sheet 1 of 4)

STANDARD 665001-01

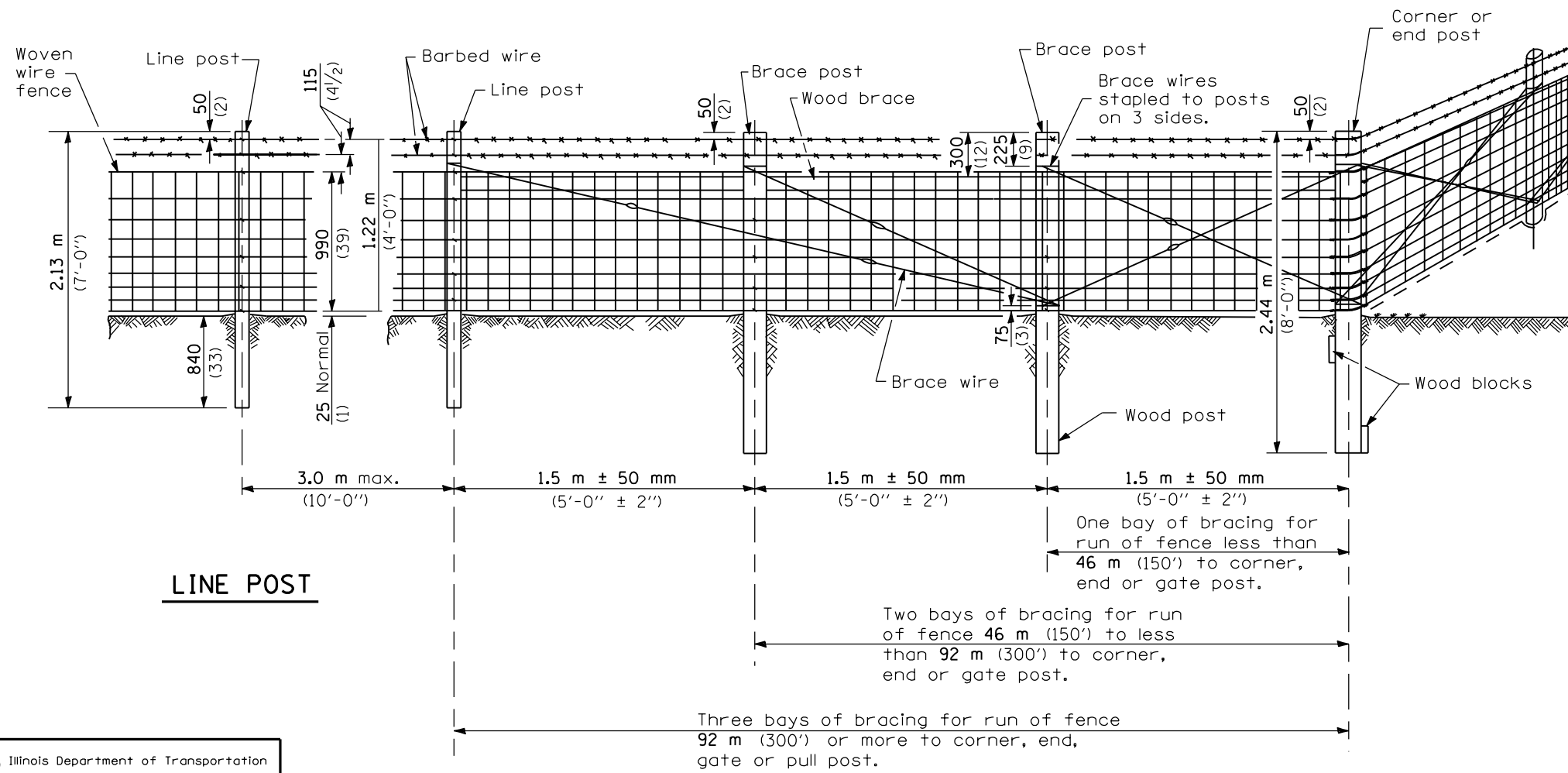


SINGLE OR DOUBLE GATE

PULL POST



SECTION X-X



LINE POST

CORNER OR END POST

NOTES

Barbed wires shall be stapled to each post. Top and bottom wire of woven fence shall be stapled to each post. Staple every other wire between, alternating on successive posts.

Metal line posts may be used in lieu of wood line posts.

All dimensions are in millimeters (inches) unless otherwise shown.

Illinois Department of Transportation

PASSED January 1, 2002
Ryan Driskell
 ENGINEER OF POLICY AND PROCEDURES

APPROVED January 1, 2002
Michael L. Hine
 ENGINEER OF DESIGN AND ENVIRONMENT

ISSUED 26-1-1

WOVEN WIRE FENCE

(Sheet 2 of 4)

STANDARD 665001-01

METAL ITEMS

GATE FRAMES		CORNER, END or PULL POSTS		LINE POSTS		BRACES	
Section	kg/m (lbs./ft.)	Section	kg/m (lbs./ft.)	Section	kg/m (lbs./ft.)	Section	kg/m (lbs./ft.)
Type A: Pipe 42.2 (1.66) O.D.	3.38 (2.27)	Type A: Pipe 60.3 (2.375) O.D.	5.43 (3.65)	Type A: Pipe 33.4 (1.315) O.D.	2.50 (1.68)	Type A: Pipe 42.2 (1.66) O.D.	3.38 (2.27)
Type B: Pipe 42.2 (1.66) O.D.	2.72 (1.83)	Type B: Pipe 60.3 (2.375) O.D.	4.63 (3.11)	Type B: Pipe 33.4 (1.315) O.D.	1.99 (1.34)	Type B: Pipe 42.2 (1.66) O.D.	2.72 (1.83)
Type C: Pipe 42.2 (1.66) O.D.	2.71 (1.82)	Type C: Pipe 60.3 (2.375) O.D.	4.60 (3.09)	Type C: Pipe 33.4 (1.315) O.D.	1.98 (1.33)	Type C: Pipe 42.2 (1.66) O.D.	2.71 (1.82)
		Tubing 63.5 (2.5) Sq.	6.43 (4.32)	Tubing 25.4 (1) Sq.	2.10 (1.41)	Angle 64x64x6.4 (2 1/2 x 2 1/2 x 1/4)	4.75 (3.19)
		Angle 64x64x6.4 (2 1/2 x 2 1/2 x 1/4)	6.10 (4.1)	Ang.		or other approved structural shapes	4.61 (3.1) min.
		H, I, U, structural shapes	6.10 (4.1) min.	L, C, T, U, Y or other approved structural shapes	1.98 (1.33) min.		

METAL ITEMS


GATE POSTS					
Single gate up to 1.22 m (4 ft.) Double gate up to 2.44 m (8 ft.)		over 1.22 m to 2.44 m (4 ft. to 8 ft.) over 2.44 m to 4.88 m (8 ft. to 16 ft.)		over 2.44 m to 3.66 m (8 ft. to 12 ft.) over 4.88 m to 7.32 m (16 ft. to 24 ft.)	
Section	kg/m (lbs./ft.)	Section	kg/m (lbs./ft.)	Section	kg/m (lbs./ft.)
Type A: Pipe 60.3 (2.375) O.D.	5.43 (3.65)	73.0 (2.875) O.D.	8.62 (5.79)	88.9 (3.500) O.D.	11.28 (7.58)
Type B: Pipe 60.3 (2.375) O.D.	4.63 (3.11)	73.0 (2.875) O.D.	6.91 (4.64)		
Type C: Pipe 60.3 (2.375) O.D.	4.60 (3.09)	73.0 (2.875) O.D.	5.63 (3.78)		
Tubing 63.5 (2.5) Sq.	6.43 (4.32)	76.2 (3) Sq.	8.60 (5.78)	76.2 (3) Sq.	31.10 (8.80)
Angle 64x64x6.4 (2 1/2 x 2 1/2 x 1/4)	6.10 (4.1)	76x76x7.9 (3x3x5/16)	9.08 (6.1)	76x76x9.5 (3 1/2 x 3 1/2 x 3/8)	10.70 (8.5)
H, I, U, structural shapes	6.10 (4.1) min.		9.08 (6.1) min.		10.70 (8.5) min.

WOOD ITEMS

(S4S or Rough Sawn)

GATE, CORNER, END or PULL POSTS	BRACES and LINE POSTS	BLOCKS
150 to 175 (6 to 7) Top dia. 150x150 (6x6)	100 to 125 (4 to 5) Top dia. 100x100 (4x4)	50x200x450 (2x8x18)

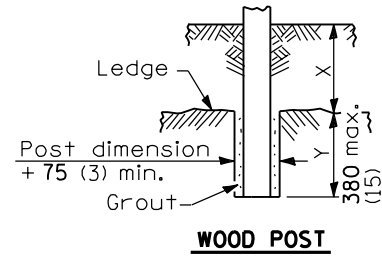
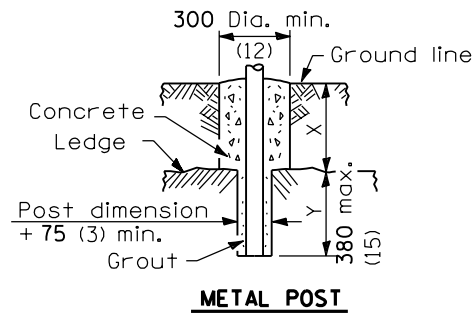
All dimensions are in millimeters (inches) unless otherwise shown.

 Illinois Department of Transportation	
PASSED January 1, 2002 <i>Ryan Dinkell</i> ENGINEER OF POLICY AND PROCEDURES	ISSUED 1-1-97
APPROVED January 1, 2002 <i>Michael L. Hine</i> ENGINEER OF DESIGN AND ENVIRONMENT	

WOVEN WIRE FENCE

(Sheet 3 of 4)

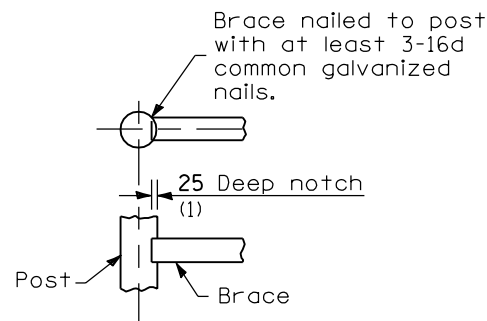
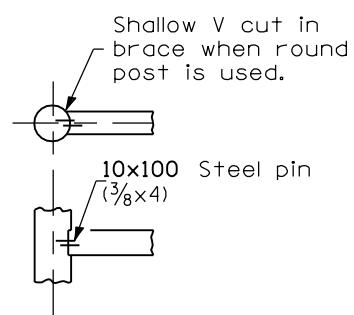
STANDARD 665001-01



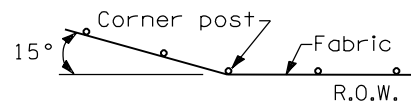
NOTE

X + Y shall not exceed 685 (27), 840 (33), or 1.14 m (3'-9") as applicable. When X is 0 to 300 (12), 450 (18), or 760 (30), Y = 380 (15), and the post shall be shortened as required. When X exceeds 300 (12), 450 (18), or 760 (30), Y shall be decreased correspondingly.

FOOTING FOR POSTS WHEN ROCK LEDGE IS ENCOUNTERED



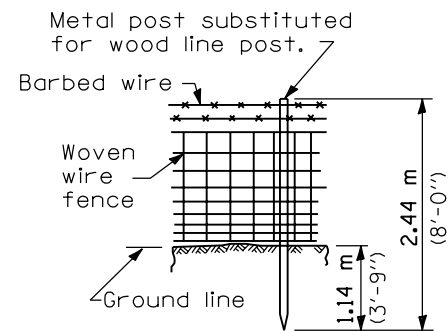
ALTERNATE DETAILS FOR FASTENING WOOD BRACE TO WOOD POST



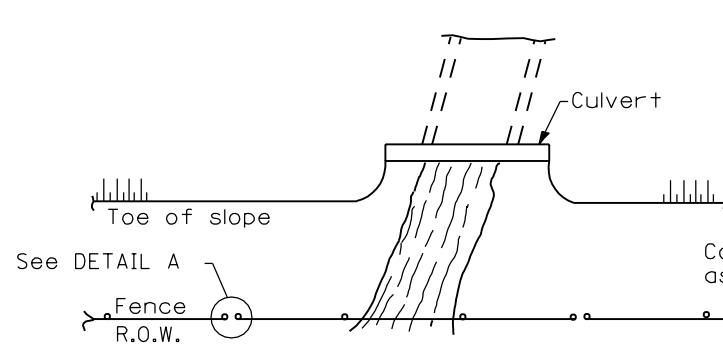
NOTE

Where fence line has a change in direction of 15° or more, a corner post with bracing as required shall be placed as shown above. Where angle is less than 15° and existing conditions require a corner post, they shall be placed as directed by the Engineer.

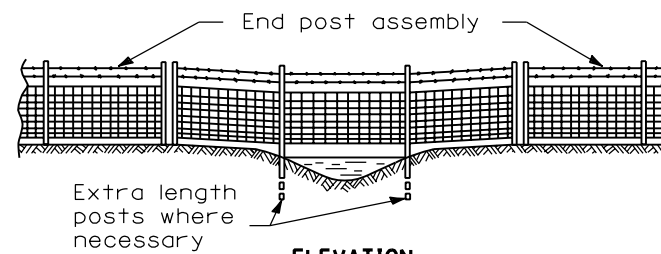
INSTALLATION AT CORNERS



PROTECTIVE ELECTRICAL GROUNDING FOR WOOD POST FENCE INSTALLATION



PLAN AT STREAM CROSSING

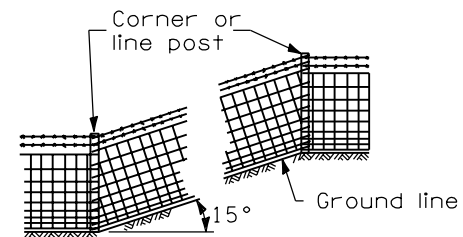


ELEVATION

NOTE

The woven wire fabric shall be replaced by barbed wire strands at 300 (12) maximum centers between the double posts shown on DETAIL A when shown on the plans.

INSTALLATION OVER STREAM

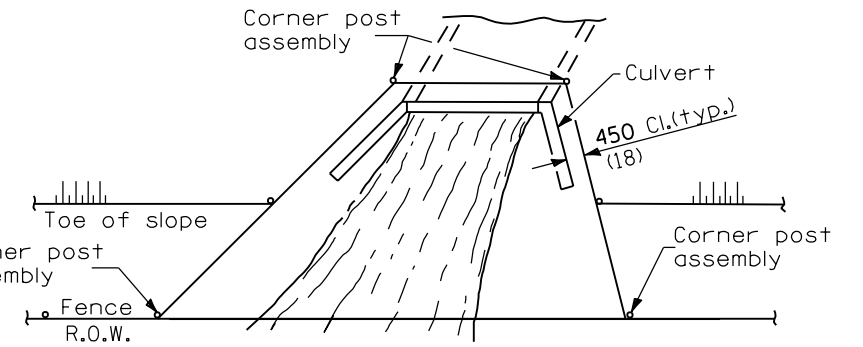


NOTE

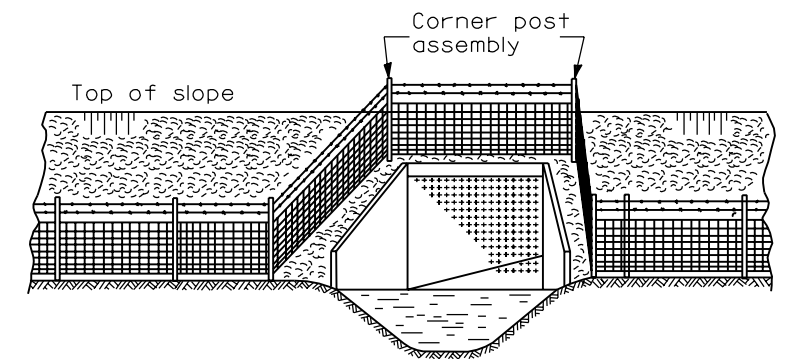
Where grade line has a change in slope of 15° or more, a corner post with bracing as required shall be placed as shown above. Where angle is less than 15° line posts may be used.

When the tension of the fence tends to pull the posts from the ground, the line posts shall be anchored with the applicable concrete or wood anchorage specified for corner posts.

INSTALLATION ON SLOPES



PLAN AT HEADWALL

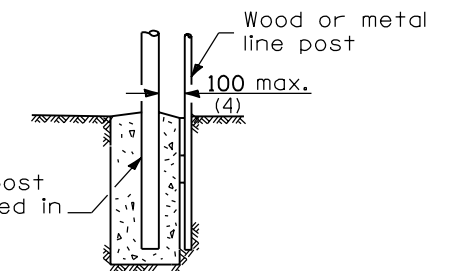


ELEVATION

NOTE

When the width of the culvert makes it necessary to anchor a post to the top of the culvert, a cast iron shoe or other device approved by the Engineer shall be used.

INSTALLATION AROUND HEADWALL



DETAIL A

All dimensions are in millimeters (inches) unless otherwise shown.

WOVEN WIRE FENCE

(Sheet 4 of 4)

STANDARD 665001-01

Illinois Department of Transportation
 PASSED January 1, 2002
 ENGINEER OF POLICY AND PROCEDURES
 APPROVED January 1, 2002
 ENGINEER OF DESIGN AND ENVIRONMENT