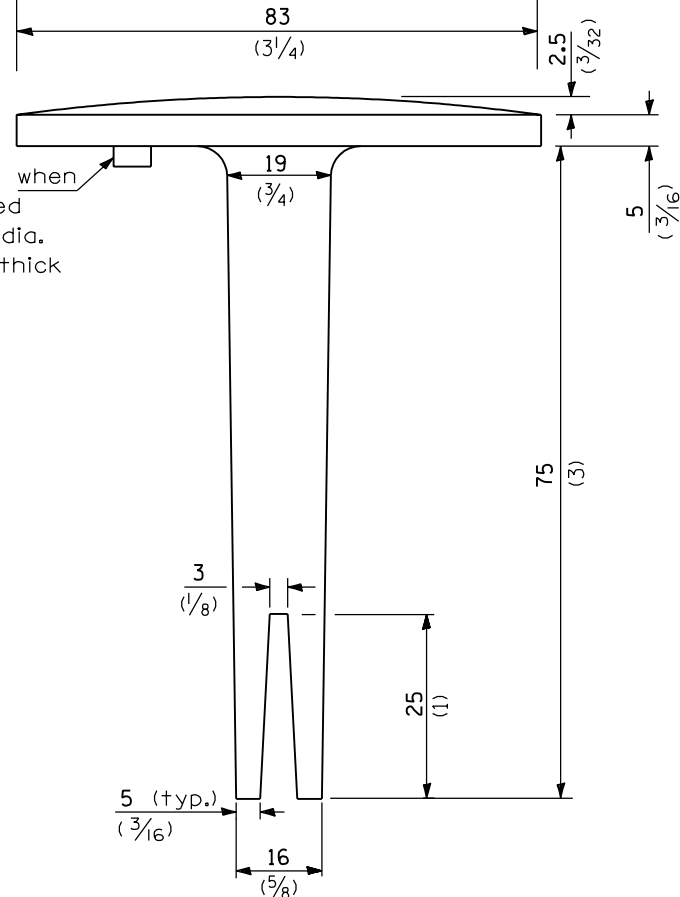
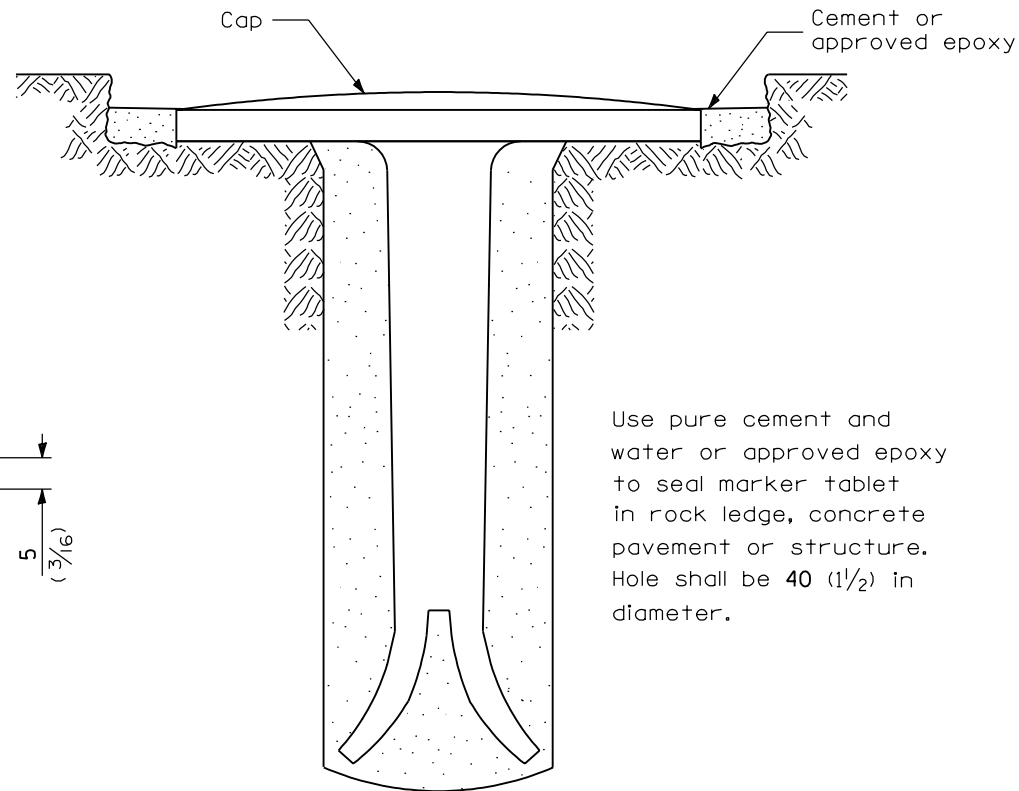


Magnet when required  
13 (1/2) dia.  
6 (1/4) thick



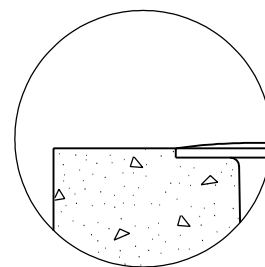
**ALUMINUM TABLET**



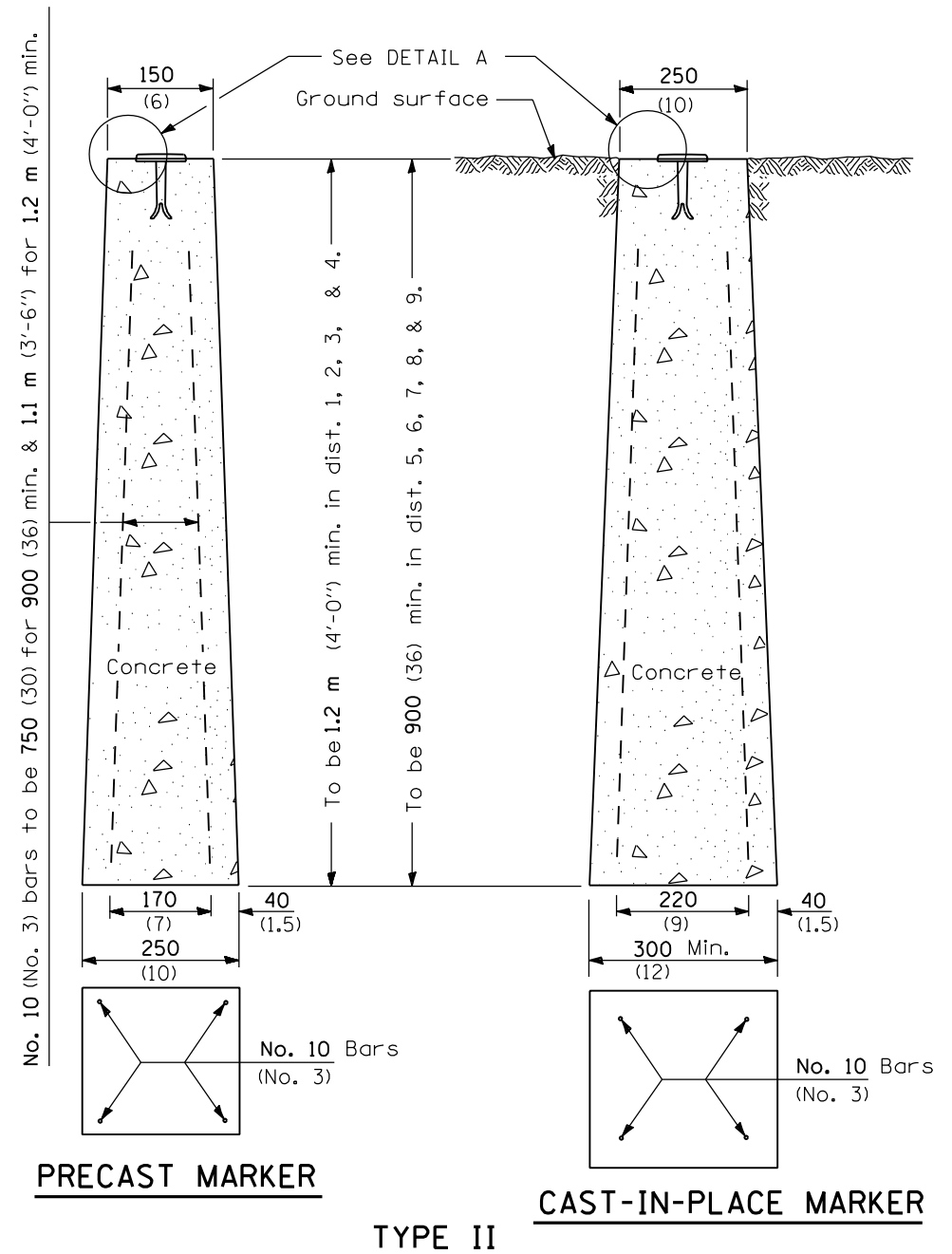
Use pure cement and water or approved epoxy to seal marker tablet in rock ledge, concrete pavement or structure. Hole shall be 40 (1 1/2) in diameter.

Tablet constructed in rock ledge or concrete.

**TYPE I**



**DETAIL A**



All dimensions are in millimeters (inches) unless otherwise shown.

Illinois Department of Transportation	
PASSED	January 1, 1997
ENGINEER OF POLICE AND PROCEDURES	<i>Charles G. ...</i>
APPROVED	January 1, 1997
ENGINEER OF DESIGN AND ENVIRONMENT	<i>Ray ...</i>
ISSUED	1-1-97

DATE	REVISIONS
1-1-97	Renum. Standard 2135-1.
6-15-94	Totally revised. Added Metric.

**PERMANENT SURVEY MARKERS**

**STANDARD 667101**