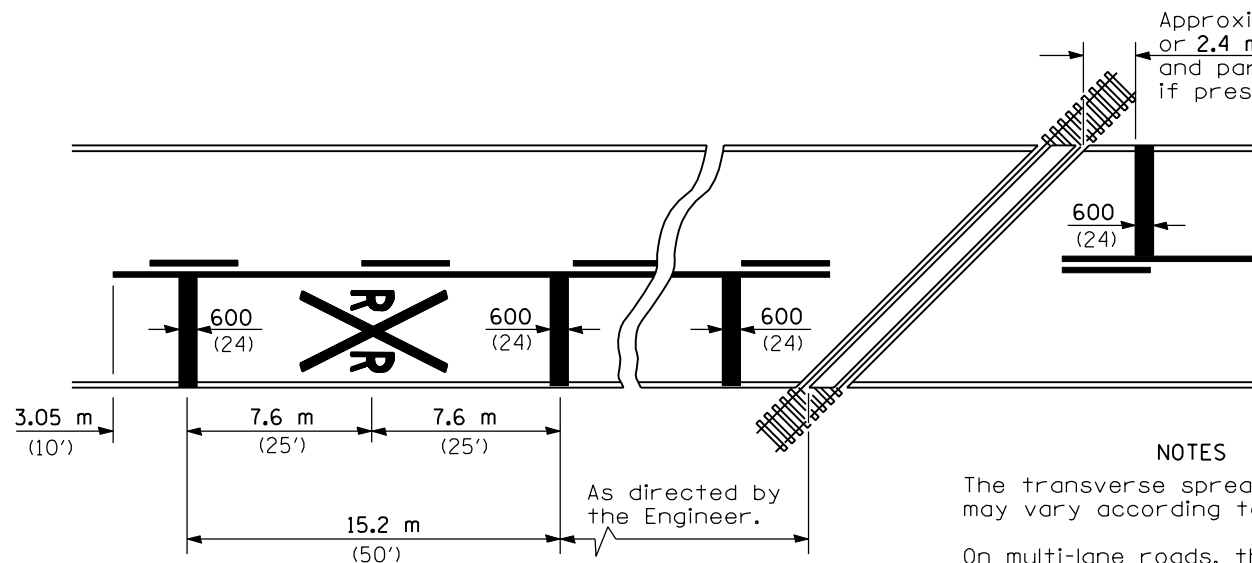


LANE AND EDGE LINES

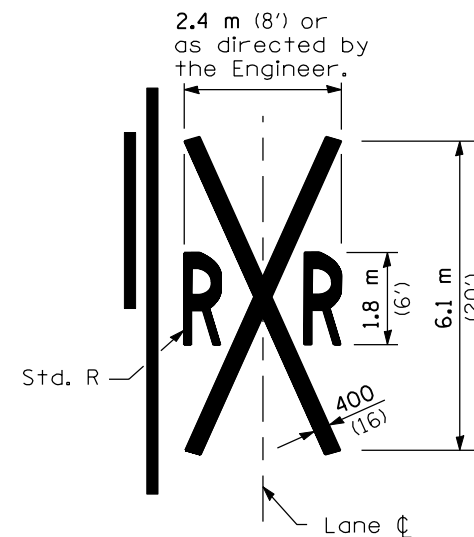


NOTES

The transverse spread of the "X" may vary according to lane width.

On multi-lane roads, the stop lines shall extend across all approach lanes and separate RXR symbols shall be placed adjacent to each other in each lane.

When the pavement marking symbol is used, a portion of the symbol should be located directly adjacent to the Advance Warning Sign (W10-1) as placed by Table II-1, condition B of the MUTCD.



PAVEMENT MARKINGS AT RAILROAD-HIGHWAY GRADE CROSSING

All dimensions are in millimeters (inches) unless otherwise shown.

Illinois Department of Transportation

APPROVED January 1, 1999
 ENGINEER OF OPERATIONS
 APPROVED January 1, 1999
 ENGINEER OF DESIGN AND ENVIRONMENT

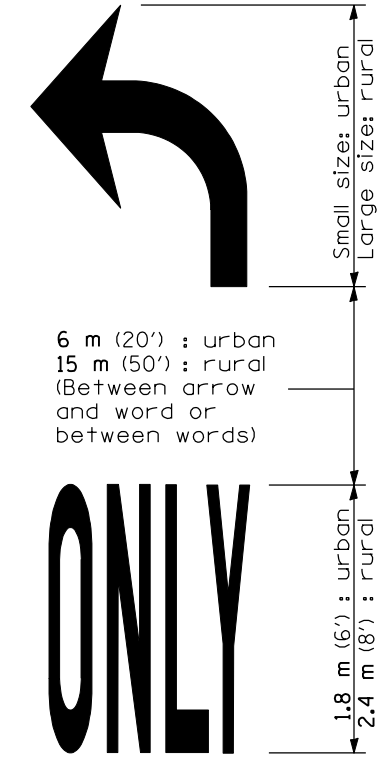
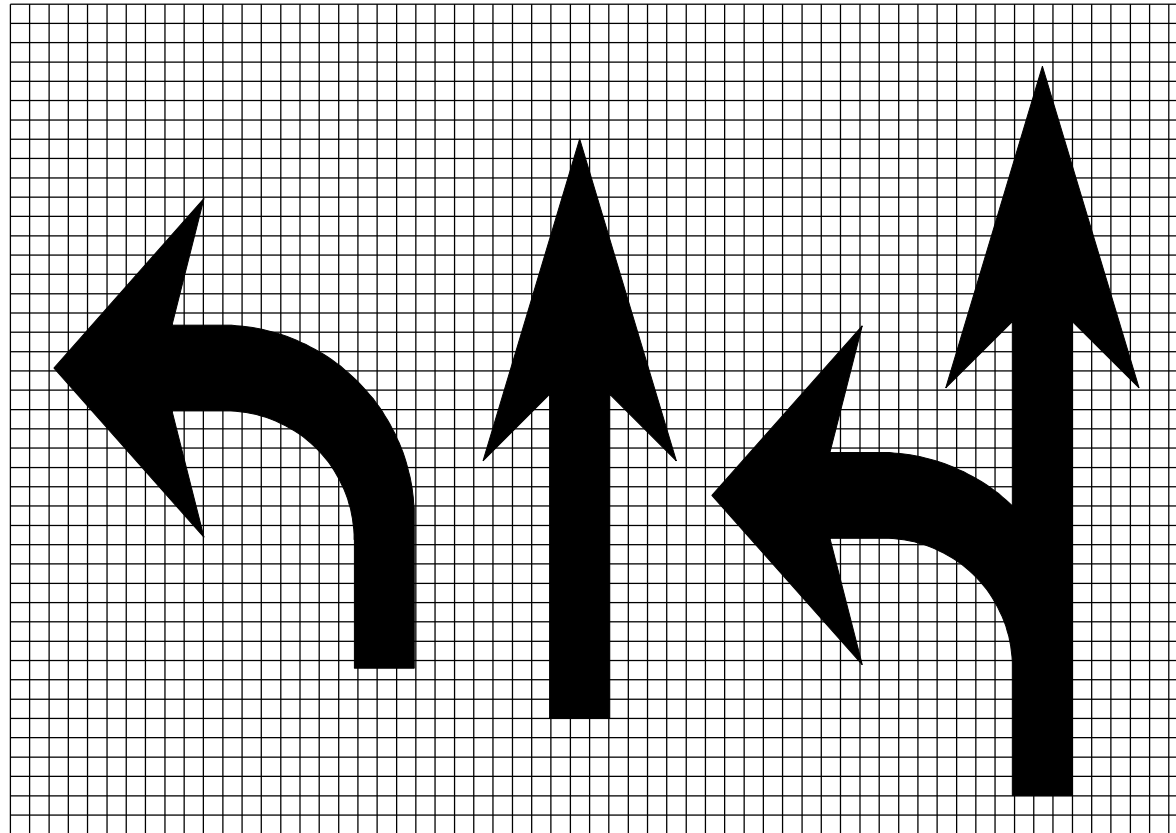
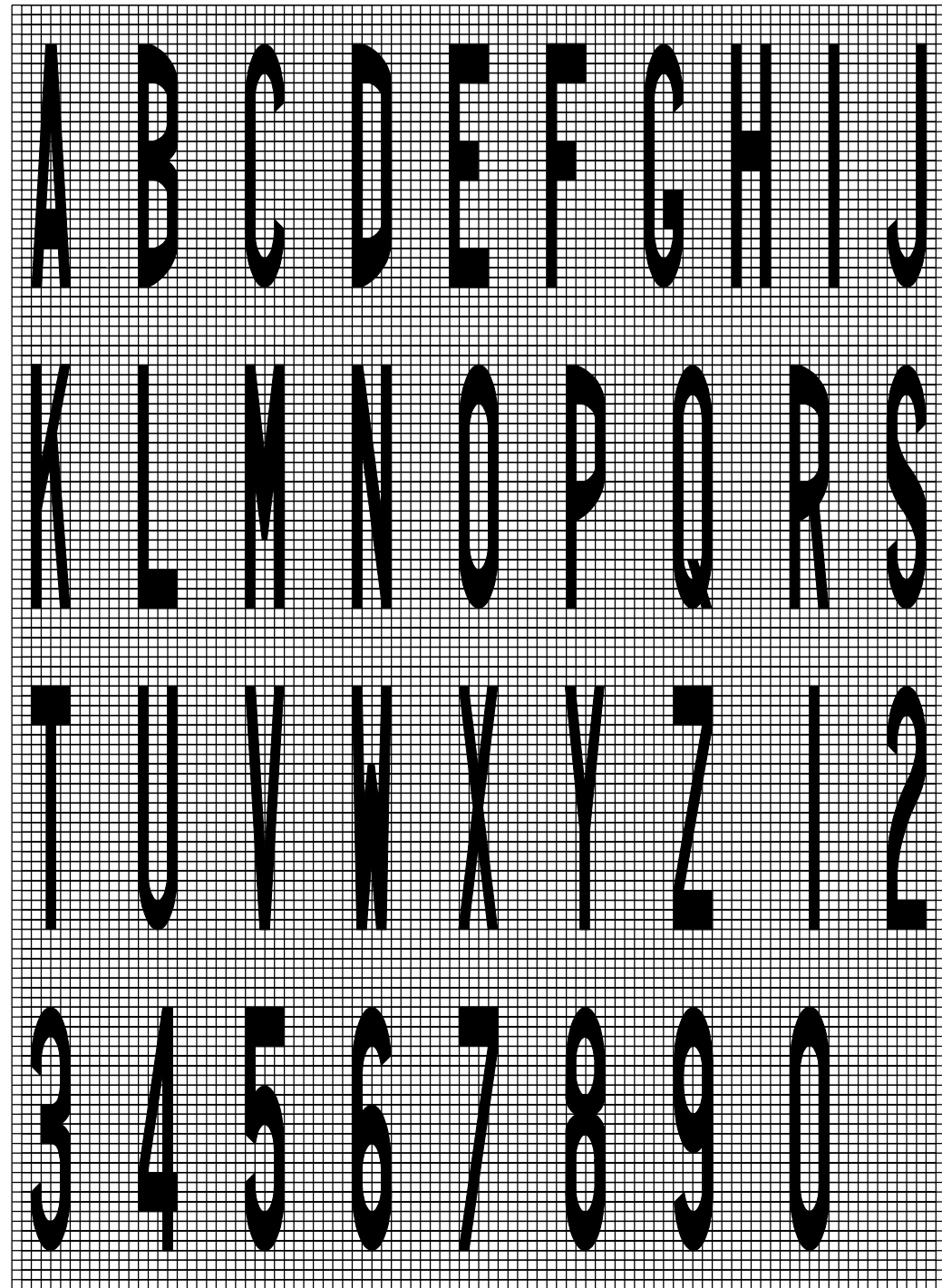
ISSUED 1-1-97

DATE	REVISIONS
1-1-99	Rev. dimen. & added 3rd note to pav't markings @ RR-Hwy grade Xing.
1-1-97	Renum. Standard 2396-1. Revised metric values.

TYPICAL PAVEMENT MARKINGS

(Sheet 1 of 2)

STANDARD 780001-01

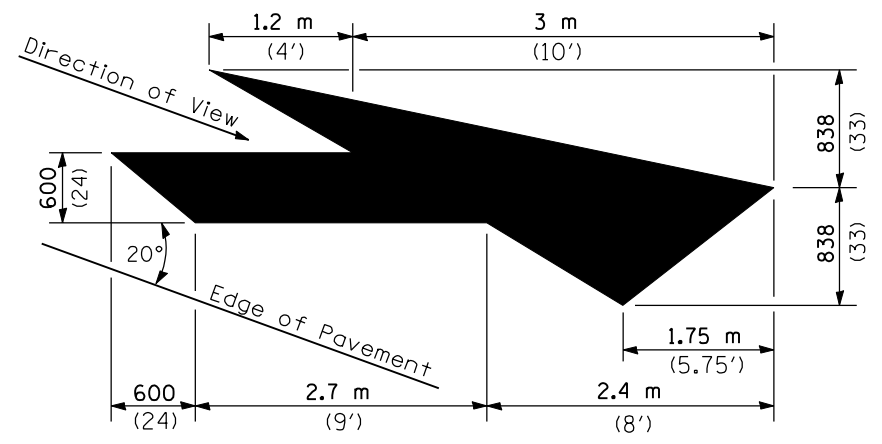


WORD AND ARROW LAYOUT

Legend Height	Arrow Size	a
1.8 m (6')	Small	74 (2.9)
2.4 m (8')	Large	96 (3.8)

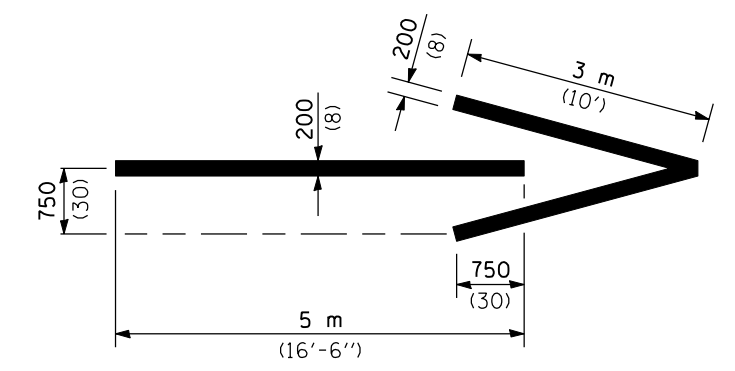
The space between adjacent letters or numerals should be approximately 75 (3) for 1.8 m (6') legend and 100 (4') for 2.4 m (8') legend.

LETTER AND ARROW GRID SCALE



LANE DROP ARROW

Right lane drop arrow shown.
Use mirror image for left lane.



WRONG WAY ARROW

All dimensions are in millimeters (inches) unless otherwise shown.

TYPICAL PAVEMENT MARKINGS
(Sheet 2 of 2)

STANDARD 780001-01

Illinois Department of Transportation

APPROVED January 1, 1999
ENGINEER OF OPERATIONS

APPROVED January 1, 1999
ENGINEER OF DESIGN AND ENVIRONMENT

ISSUED 1-1-97