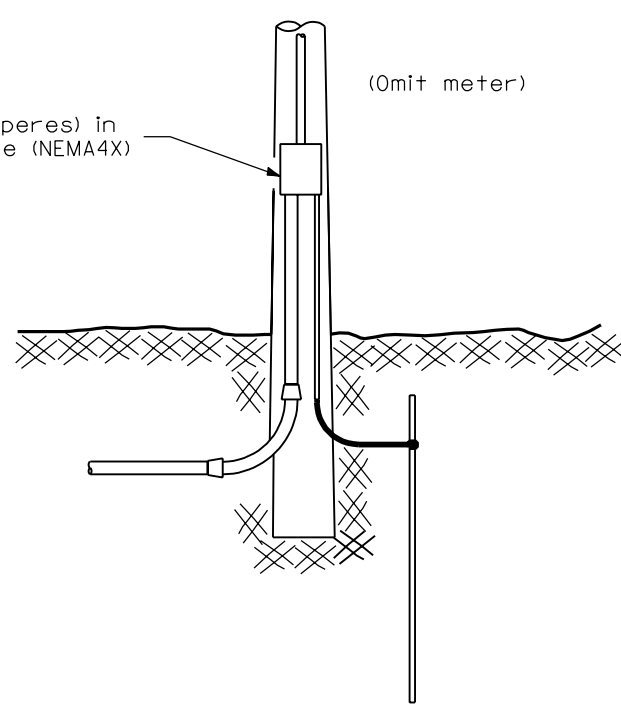
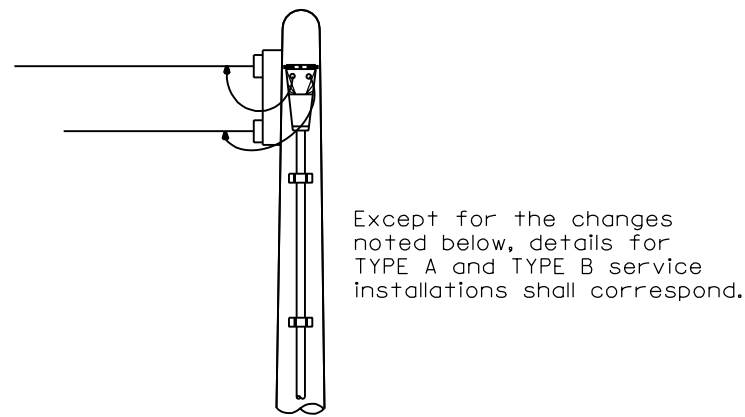
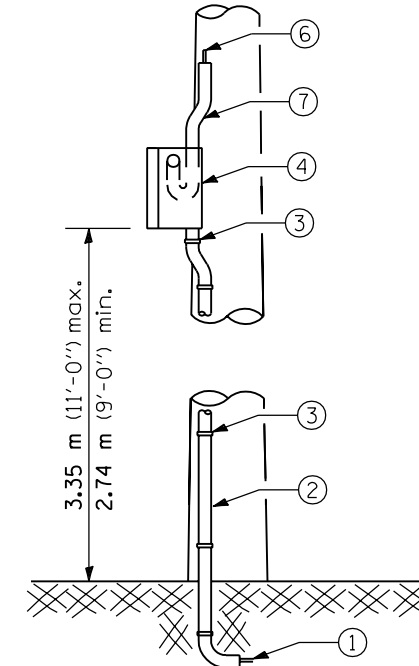


TYPE A



TYPE B

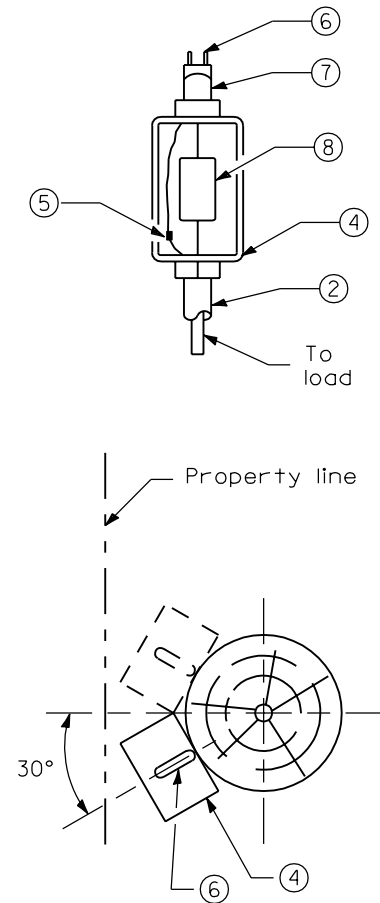
Except for the changes noted below, details for TYPE A and TYPE B service installations shall correspond.



The following equipment is to be furnished and installed on the TYPE C installation.

- ① = Cable in conduit (electric cable, No. 6, 2/C except where otherwise specified)
- ② = Galvanized steel conduit 32 (1/4) with bend
- ③ = Galvanized conduit clamps
- ④ = Aluminum weatherproof box with gasketed cover. Weatherproof box shall be installed facing the adjacent property line. (See diagram for alternate installation.)
- ⑤ = Ground stud for neutral connection
- ⑥ = Service cables
- ⑦ = Offset weatherproof fitting
- ⑧ = Circuit breaker

TYPE C



ALTERNATE INSTALLATION

(Installation when weatherproof box cannot be installed facing the adjacent property line.)

All dimensions are in millimeters (inches) unless otherwise shown.

Illinois Department of Transportation

APPROVED January 1, 2002
[Signature]
 ENGINEER OF OPERATIONS

APPROVED January 1, 2002
[Signature]
 ENGINEER OF DESIGN AND ENVIRONMENT

ISSUED 1-1-02

DATE	REVISIONS
1-1-02	Renum. Standard 866001.
1-1-97	Renum. Standard 2373-1.

ELECTRICAL SERVICE INSTALLATION DETAILS

STANDARD 805001