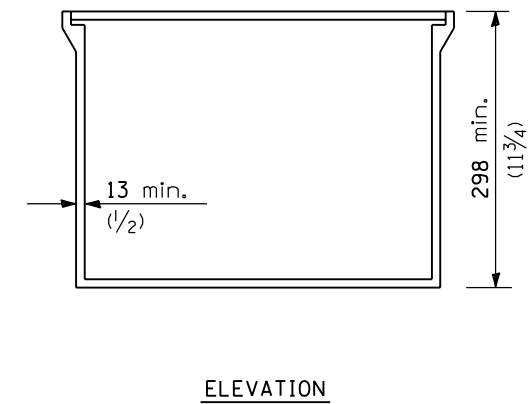
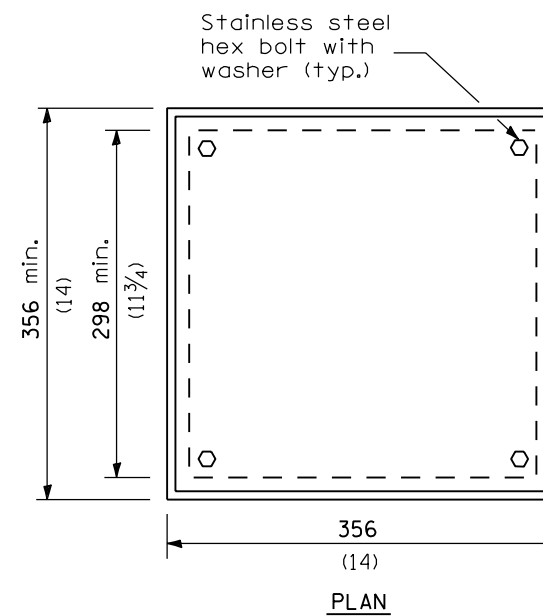


**CAST IRON**



**POLYMER CONCRETE**

All dimensions are in millimeters (inches) unless otherwise shown.

Illinois Department of Transportation	
APPROVED _____ January 1, 2002 ENGINEER OF OPERATIONS	ISSUED 26-1-1
APPROVED _____ January 1, 2002 Michael L. Hine ENGINEER OF DESIGN AND ENVIRONMENT	

DATE	REVISIONS
1-1-02	Remove neoprene gasket from polymer concrete.
1-1-97	Renum. Standard 2369-2.

**JUNCTION BOXES**

**STANDARD 813001-01**