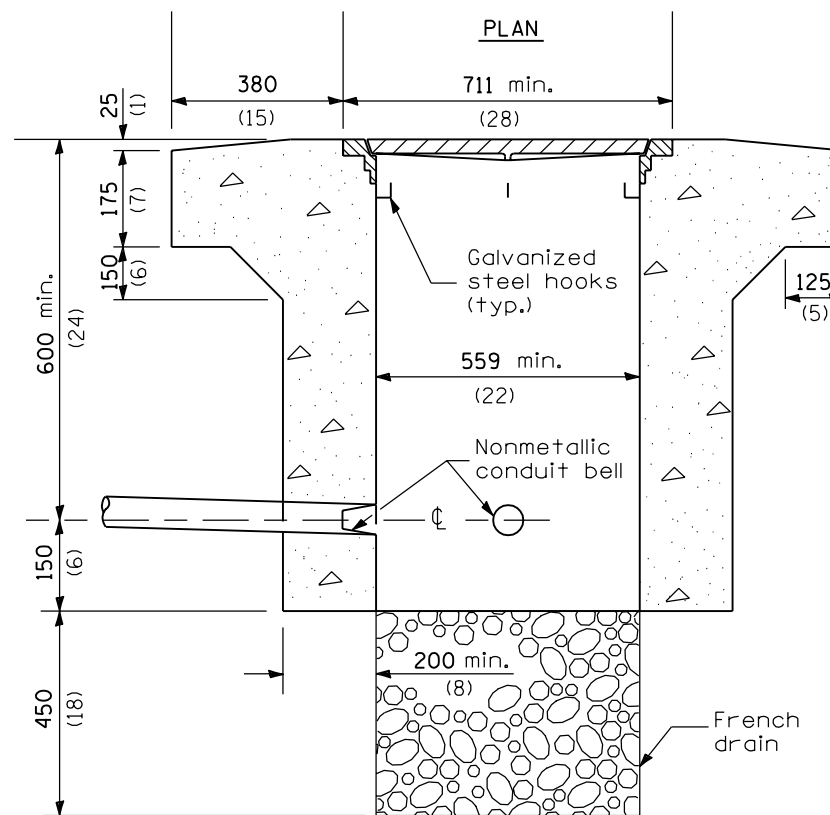
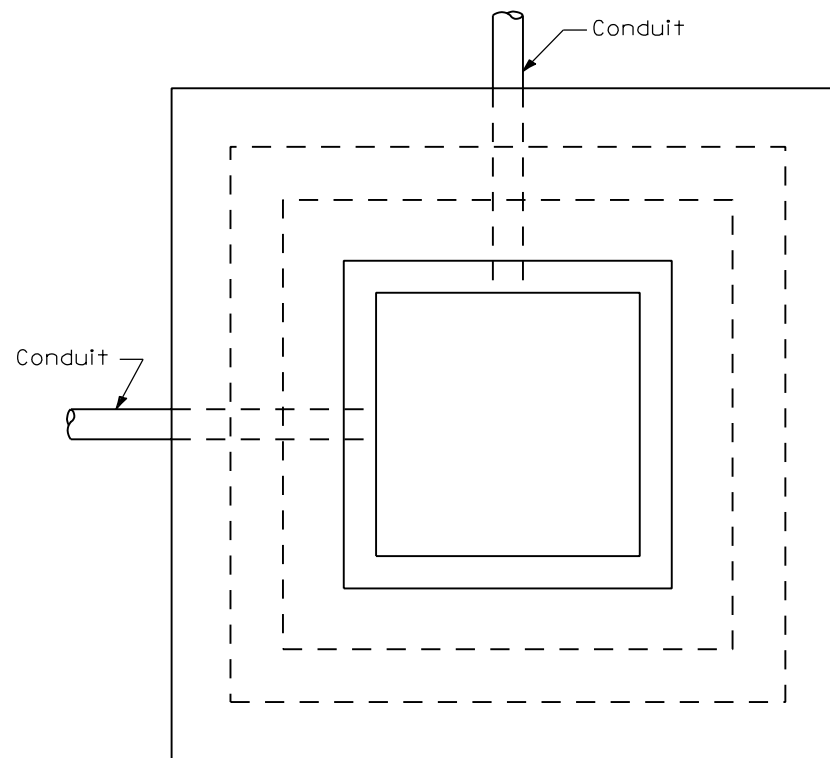


ELEVATION

PC CONCRETE

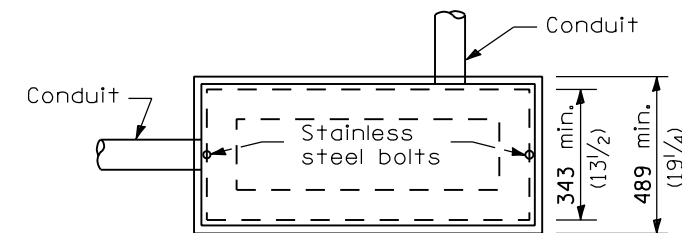
(Frame and cover 64 kg (140 lbs.) min.)



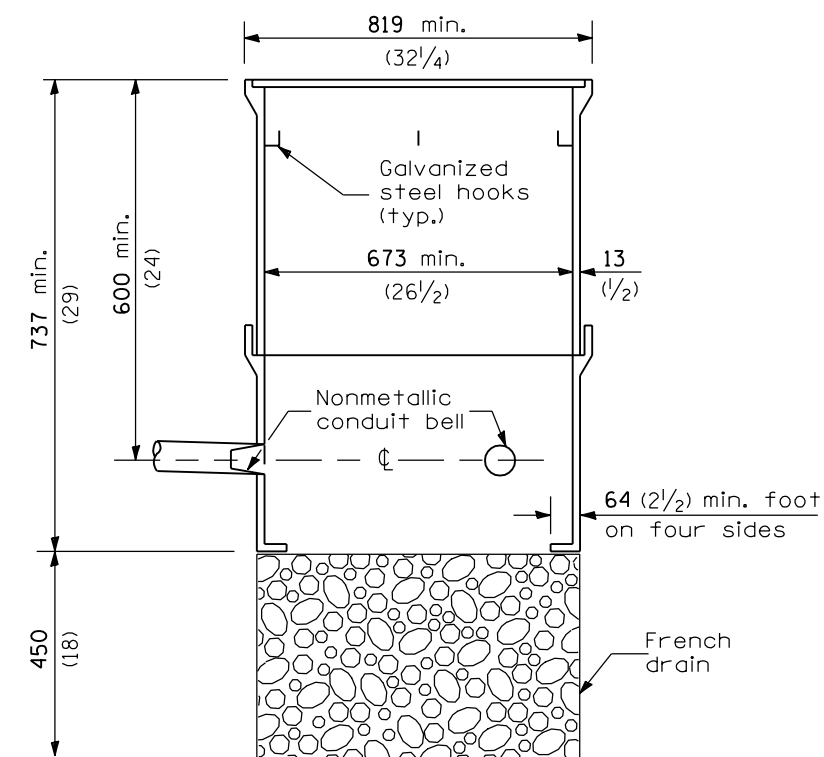
ELEVATION

PC CONCRETE - HEAVY DUTY

(Frame and cover 118 kg (260 lbs.) min.)



PLAN



ELEVATION

POLYMER CONCRETE

All dimensions are in millimeters (inches) unless otherwise shown.

APPROVED	January 1, 1997
ENGINEER OF OPERATIONS	
APPROVED	January 1, 1997
ENGINEER OF DESIGN AND ENVIRONMENT	
ISSUED	26-1-1

DATE	REVISIONS
1-1-97	Renum. Standard 2368-2.
	Rev. casting & inside
	dim. for heavy duty.
2-1-95	Del. note. Incr. F & G
	width for heavy duty.
	Rev. mort. to poly. conc.

CONCRETE HANDHOLES

STANDARD 814001