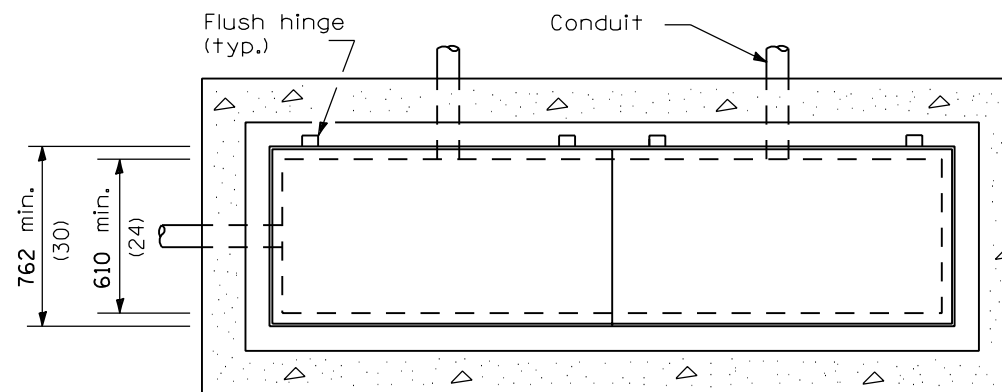
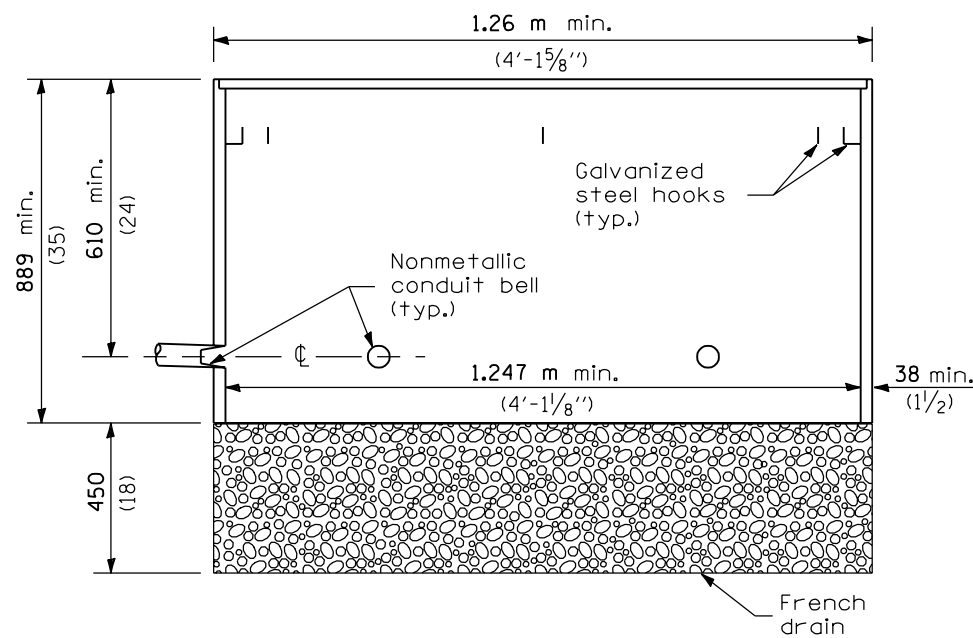


PLAN

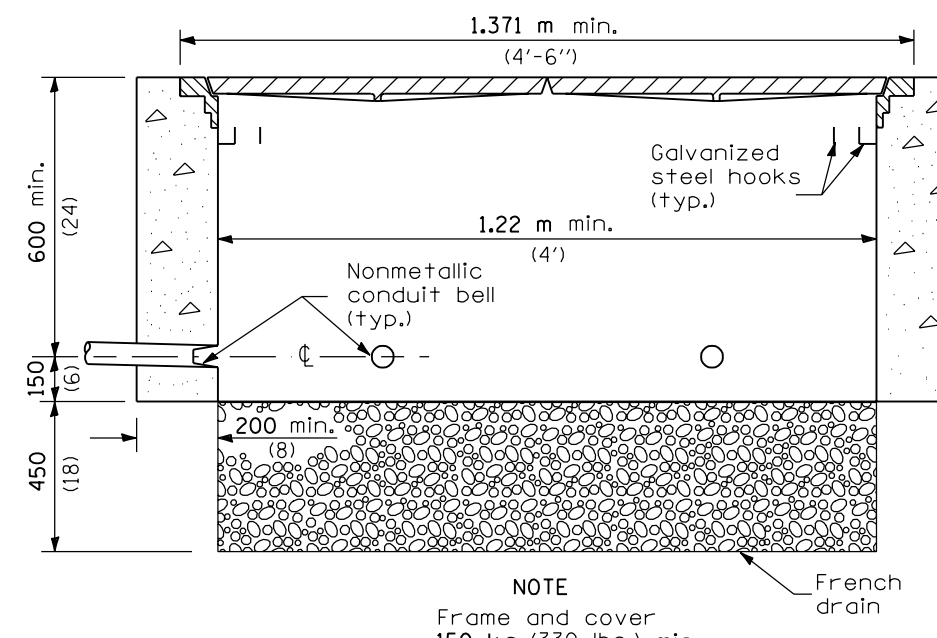


PLAN



ELEVATION

POLYMER CONCRETE



ELEVATION

CONCRETE

NOTE
Frame and cover
150 kg (330 lbs.) min.

All dimensions are in millimeters (inches) unless otherwise shown.

Illinois Department of Transportation

APPROVED January 1, 1997
R. W. Jones
ENGINEER OF OPERATIONS

APPROVED January 1, 1997
Ray Stoddard
ENGINEER OF DESIGN AND ENVIRONMENT

ISSUED 1-1-97

DATE	REVISIONS
1-1-97	Renum. Standard 2369-2.
2-1-95	Moved notes to Specs. Rev. mortar to polymer concrete. Added metric.

DOUBLE HANDHOLES

STANDARD 814006