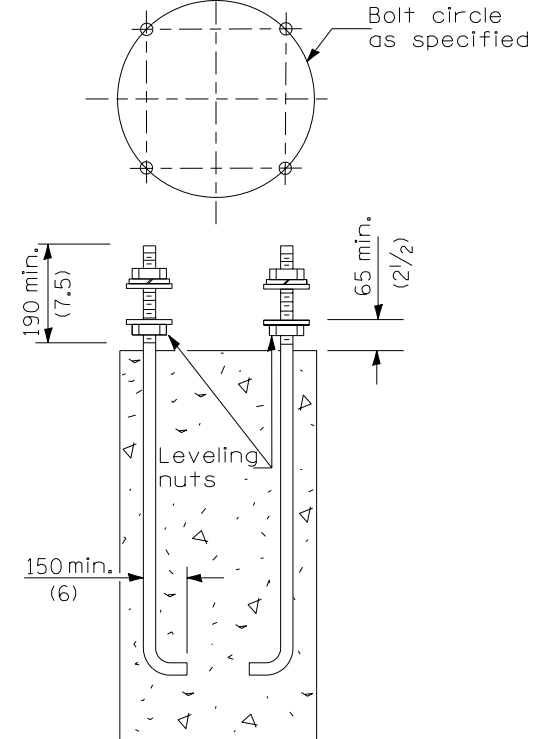
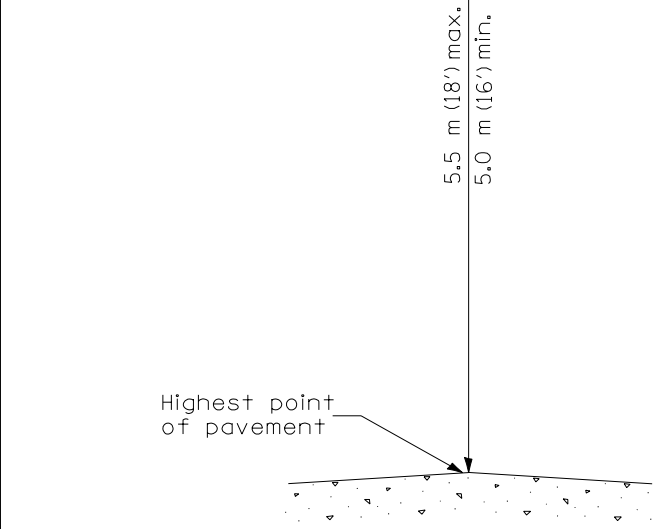
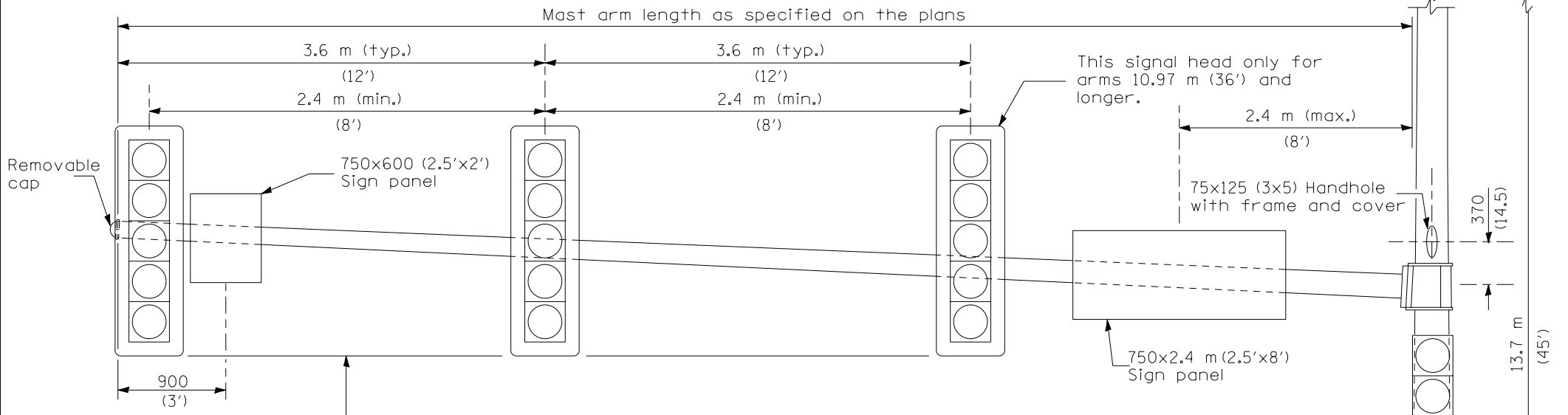
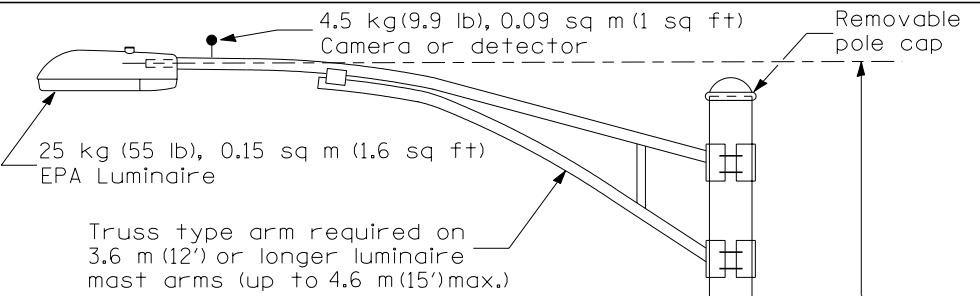
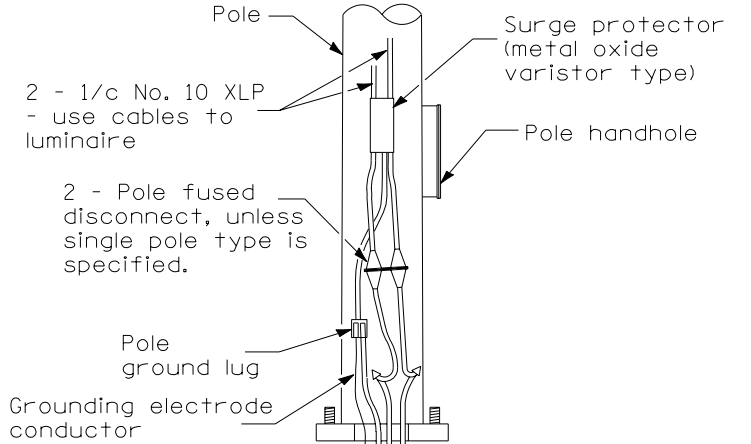


Note:  
The tenon top shall support a bullhorn fitting with two (twin) vertically mounted luminaires (clamp-mounted bullhorn assembly with removable pole cap acceptable). Each luminaire shall weigh 45 kg (100 lb) and have an effective projected (EPA) area of 0.36 sq m (3.85 sq ft).



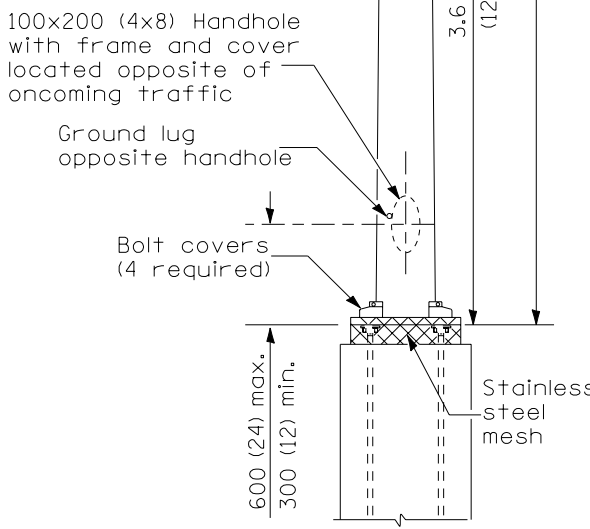
ANCHOR ROD DETAIL



POLE BASE DETAIL

**GENERAL NOTES**  
Signal heads, sign panels, and other attachments are shown for minimum design loading purposes only. Each signal head shall weigh 36 kg (80 lb) and have a projected area of 1.37 sq m (14.7 sq ft).  
All dimensions are in millimeters (inches) unless otherwise shown.

MAST ARM LENGTH	BOLT CIRCLE	ANCHOR ROD SIZE
4.87 m thru 6.10 m (16' thru 20')	380 (15)	38 x 1.5 m (1.5 x 60)
6.71 m thru 9.14 m (22' thru 30')	450 (18)	38 x 1.5 m (1.5 x 60)
9.75 m thru 12.20 m (32' thru 40')	450 (18)	44 x 2.10 m (1.75 x 84)
12.80 m thru 16.80 m (42' thru 55')	535 (21)	44 x 2.10 m (1.75 x 84)



DATE	REVISIONS
1-1-05	Rev. sign panel, handhole, tenon top, pole height, and pole base wiring.
1-1-04	Revised to show current loading requirements.

**STEEL COMBINATION MAST ARM ASSEMBLY AND POLE**  
**STANDARD 877011-02**

Illinois Department of Transportation  
 APPROVED January 1, 2005  
 ENGINEER OF OPERATIONS  
 APPROVED January 1, 2005  
 ENGINEER OF DESIGN AND ENVIRONMENT  
 ISSUED 1-1-02