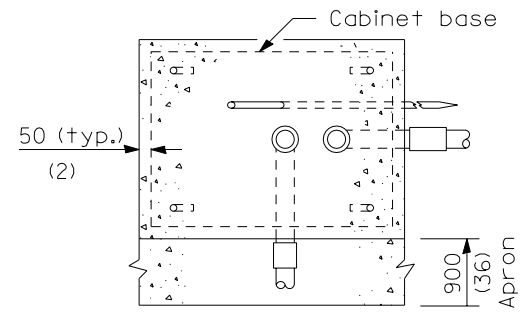
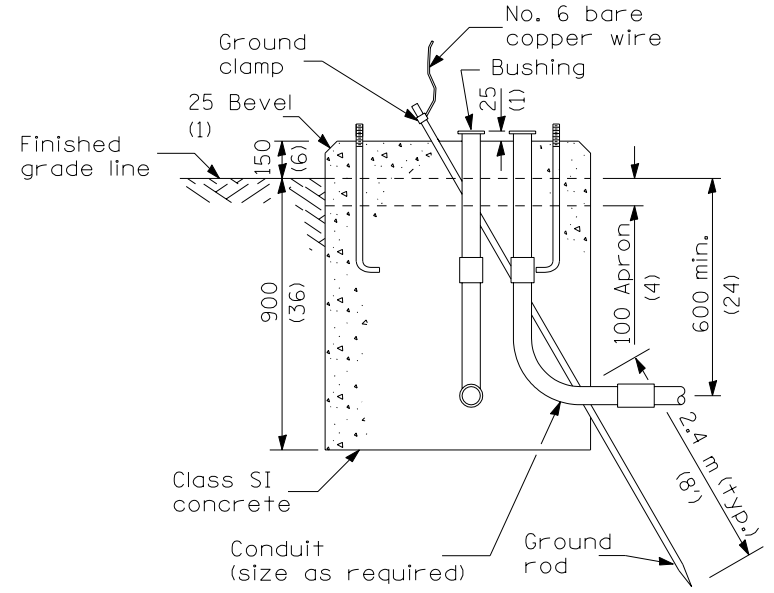


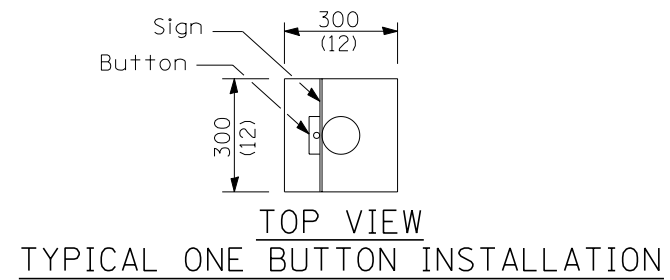
TYPE A



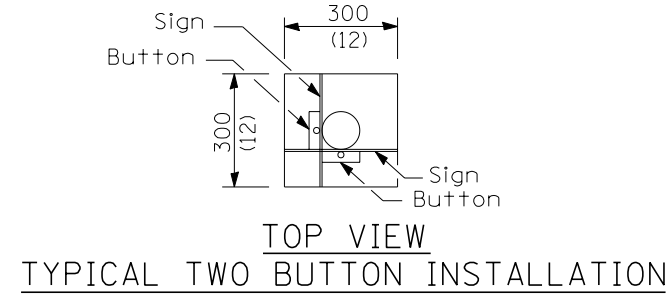
TOP VIEW



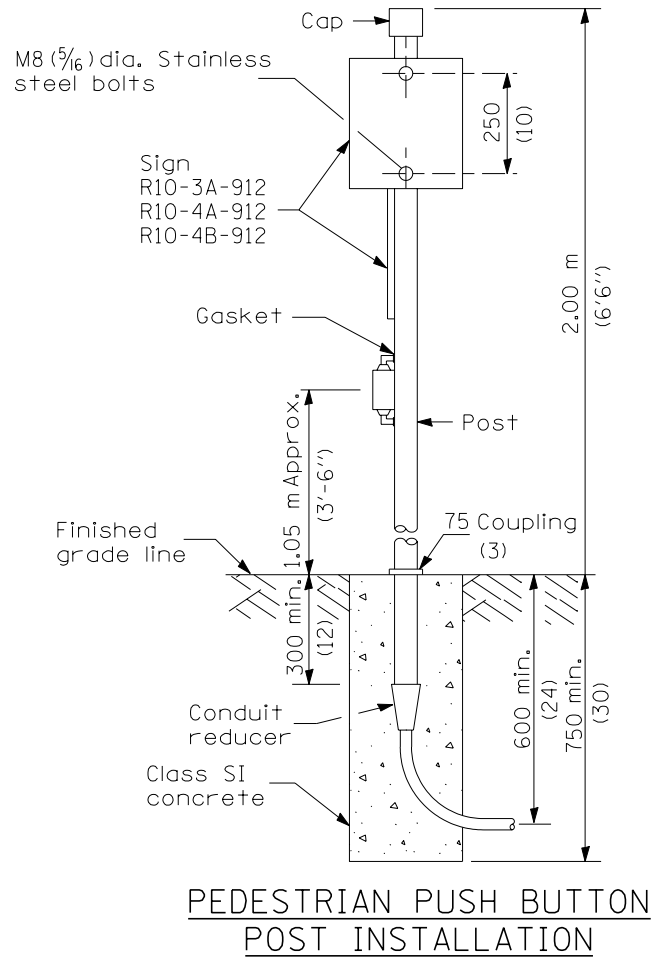
**TYPE D
FOR GROUND MOUNTED
CONTROLLER CABINET**



**TOP VIEW
TYPICAL ONE BUTTON INSTALLATION**



**TOP VIEW
TYPICAL TWO BUTTON INSTALLATION**



**PEDESTRIAN PUSH BUTTON
POST INSTALLATION**

All dimensions are in millimeters (inches) unless otherwise shown.

Illinois Department of Transportation

APPROVED January 1, 2005
ENGINEER OF OPERATIONS

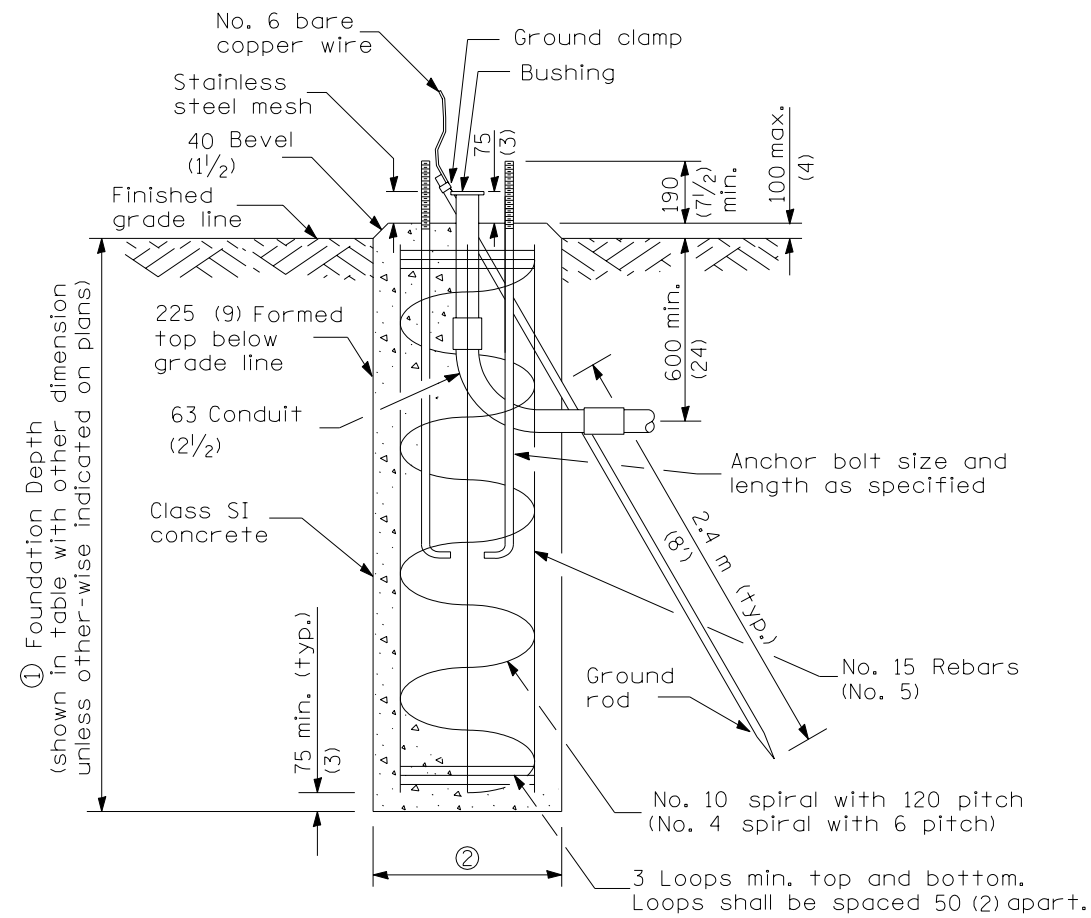
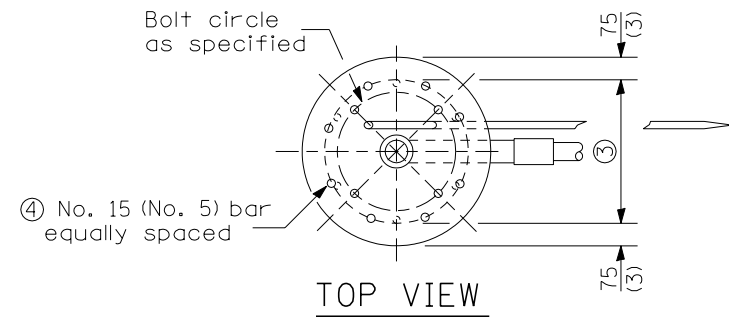
APPROVED January 1, 2005
ENGINEER OF DESIGN AND ENVIRONMENT

ISSUED 1-1-02

DATE	REVISIONS
1-1-05	Revised Type E foundation detail.
1-1-04	Revised Type E foundation table.

**CONCRETE
FOUNDATION DETAILS**
(Sheet 1 of 2)

STANDARD 878001-03



Mast Arm Length	① Foundation Depth*	② Foundation Diameter	③ Sprial Diameter	④ Quantity of No. 15 (No. 5) Bars
Less than 9.1 m (30')	3.0 m (10'-0")	750 (30)	600 (24)	8
Greater than or equal to 9.1 m (30') and less than 12.2 m (40')	4.1 m (13'-6")	750 (30)	600 (24)	8
	3.4 m (11'-0")	900 (36)	750 (30)	12
Greater than or equal to 12.2 m (40') and less than 15.2 m (50')	4.0 m (13'-0")	900 (36)	750 (30)	12
Greater than or equal to 15.2 m (50') and up to 16.8 m (55')	4.6 m (15'-0")	900 (36)	750 (30)	12

* These foundation depths are for sites which have cohesive soils (clayey silt, sandy clay, etc.) along the length of the shaft, with an average Unconfined Compressive Strength (Q_u) > 100 kPa (1.0 tsf). This strength shall be verified by boring data prior to construction or with testing by the Engineer during foundation drilling. The Bureau of Bridges & Structures should be contacted for a revised design if other conditions are encountered.

TYPE E

For standard and combination mast arm assemblies. Mast arm assemblies with dual arms require a special foundation design.

All dimensions are in millimeters (inches) unless otherwise shown.

Illinois Department of Transportation

APPROVED January 1, 2005
 ENGINEER OF OPERATIONS

APPROVED January 1, 2005
 ENGINEER OF DESIGN AND ENVIRONMENT

ISSUED 1-1-02

CONCRETE
 FOUNDATION DETAILS
 (Sheet 2 of 2)

STANDARD 878001-03