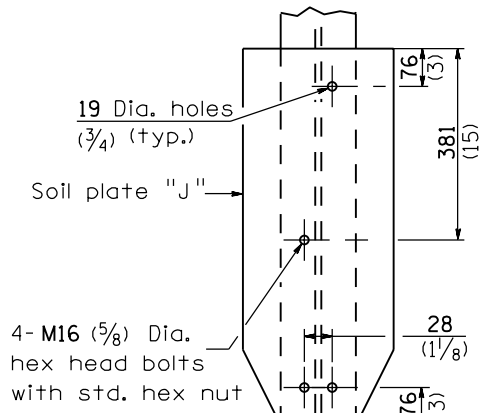
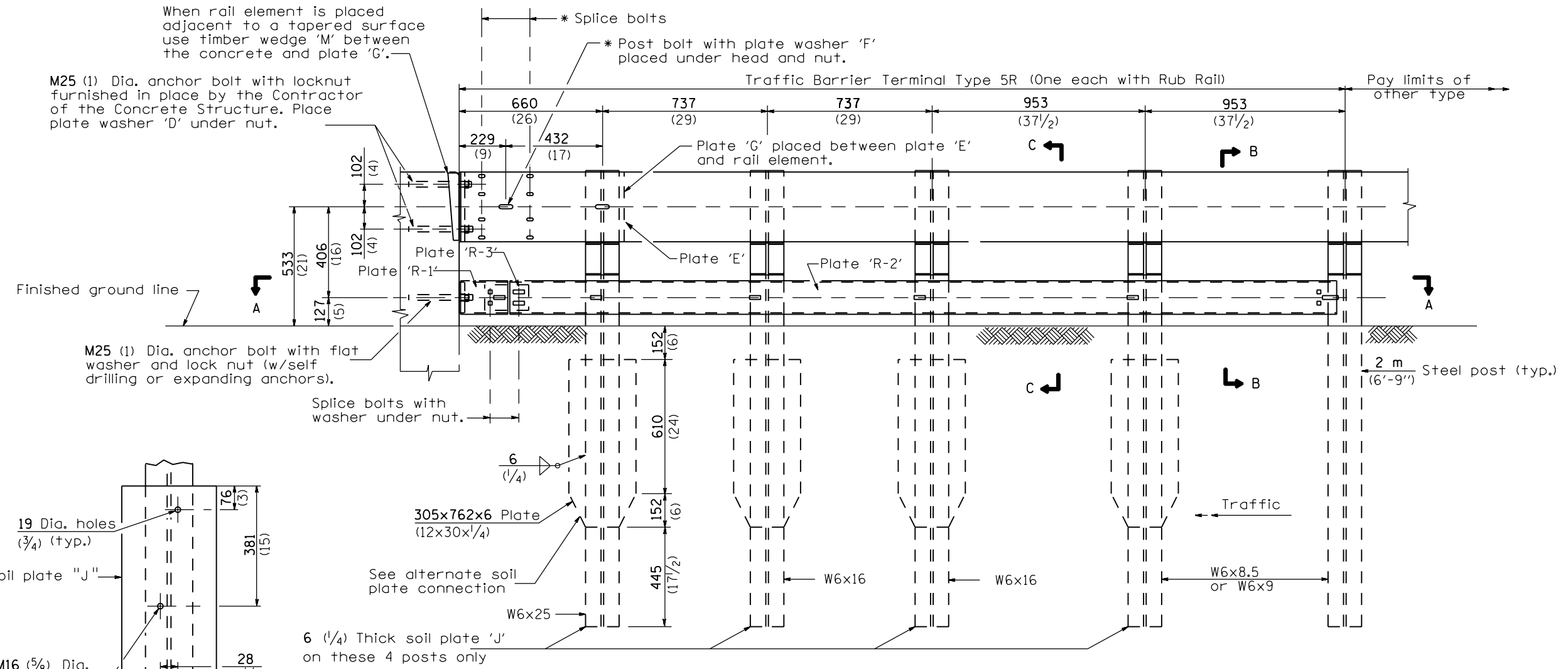


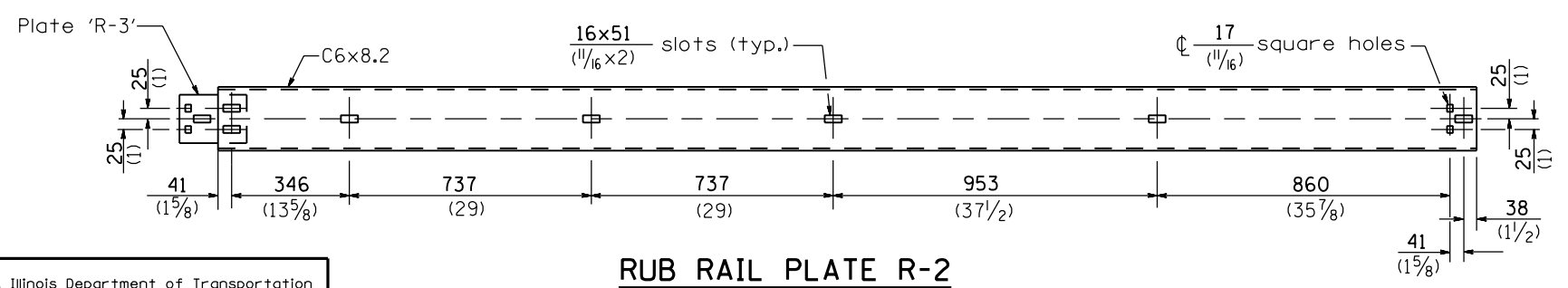
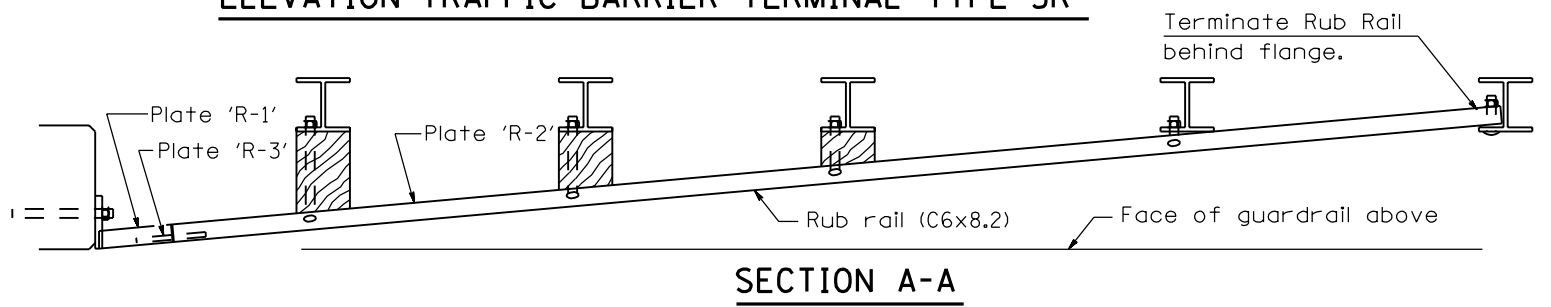
When rail element is placed adjacent to a tapered surface use timber wedge 'M' between the concrete and plate 'G'.

M25 (1) Dia. anchor bolt with locknut furnished in place by the Contractor of the Concrete Structure. Place plate washer 'D' under nut.



ALTERNATE SOIL PLATE CONNECTION

ELEVATION-TRAFFIC BARRIER TERMINAL TYPE 5R



GENERAL NOTES

See Standard 630001 for details of guardrail not shown.

Install the face of the guardrail flush with the face of the parapet. Install place washer "D" so that the 25 mm (1") projection fills the remainder of the slotted holes in the 25 mm (1") end plate on plate "G" after the 25 mm (1") bolts are in place.

Bolts shall be provided with lock nut or double nut and shall be tightened only to a point that will allow place "G" to be free to move when an expansion joint exists below in the connector.

All dimensions are in millimeters (inches) unless otherwise shown.

Illinois Department of Transportation

APPROVED January 1, 2000

ISSUED 1-1-99

ENGINEER OF LOCAL ROADS AND STREETS

APPROVED January 1, 2000

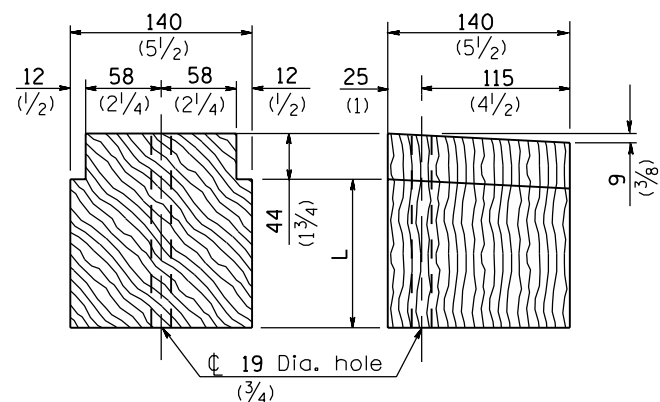
ENGINEER OF DESIGN AND ENVIRONMENT

DATE	REVISIONS
1-1-00	Revised block-outs to wood. Removed "A"
	Plates
1-1-97	Renum. Standard
	B.L.R. 20-2. Deleted
	DN Symbol.

TRAFFIC BARRIER TERMINAL-TYPE 5R

(Sheet 1 of 2)

STANDARD B.L.R. 20-4



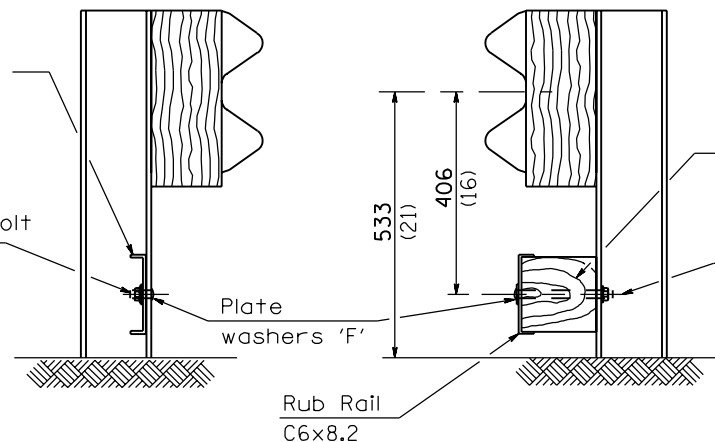
TREATED TIMBER BLOCKING

** Approximate Lengths Field Verify

** L
187 (7 3/8)
143 (5 5/8)
98 (3 7/8)

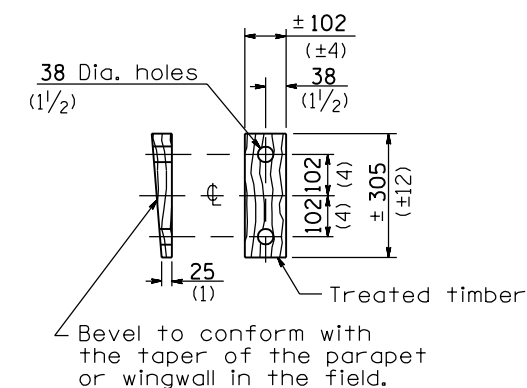
Terminate Rub Rail behind flange

16 (5/8) Dia. post bolt with 19 (3/4) Dia. hole in post

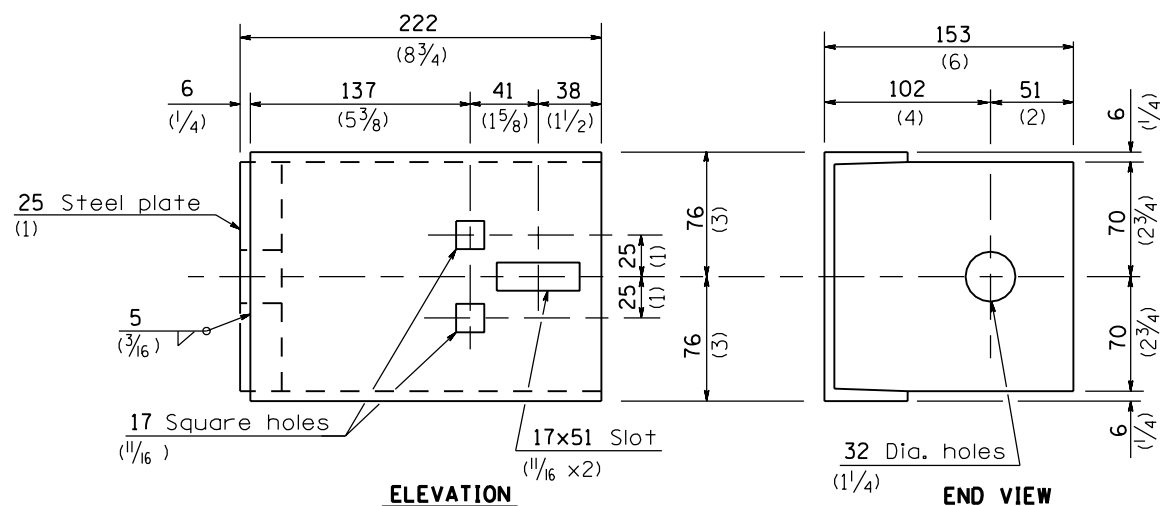


SECTION B-B

SECTION C-C

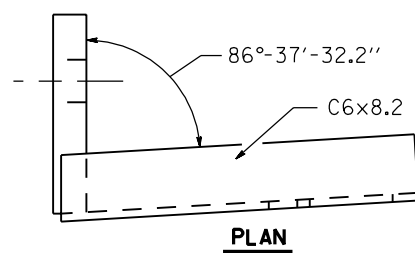


WEDGE M



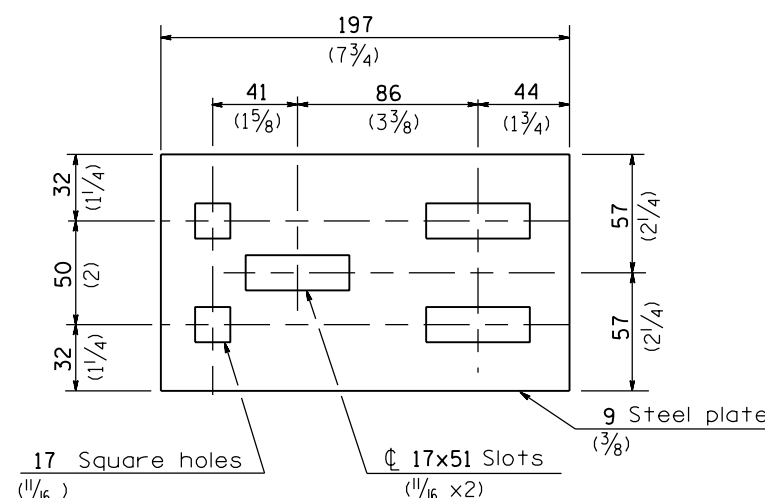
ELEVATION

END VIEW



PLAN

RUB RAIL PLATE R-1



SPLICE PLATE 'R-3'

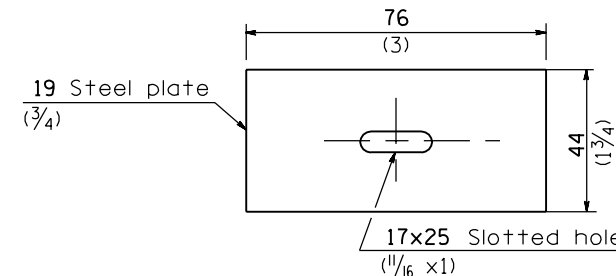


PLATE WASHER F

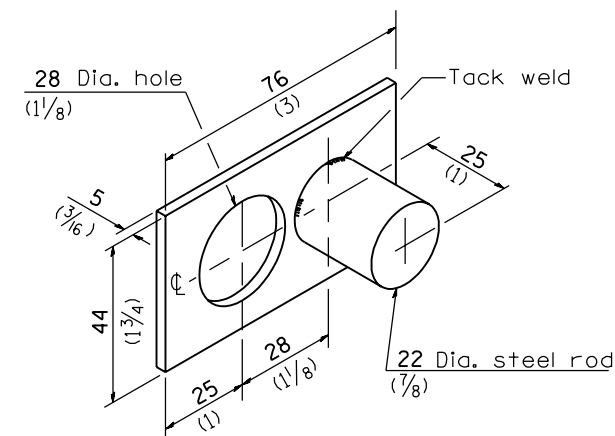


PLATE WASHER D

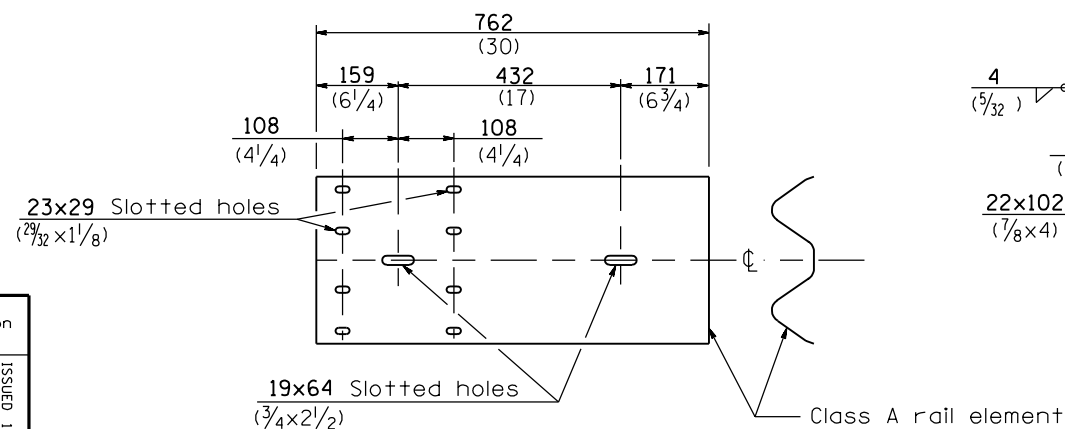


PLATE E

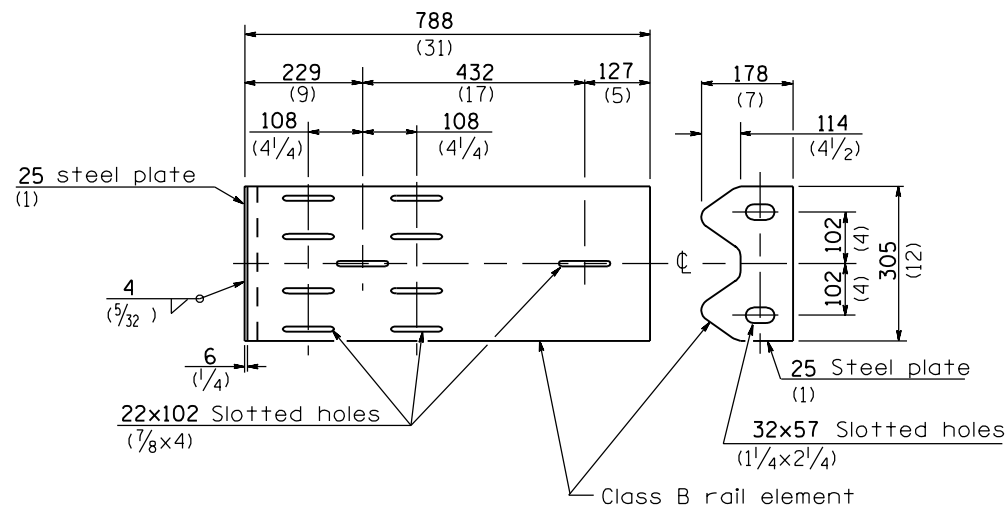


PLATE G

All dimensions are in millimeters (inches) unless otherwise shown.

**TRAFFIC BARRIER
TERMINAL-TYPE 5R**

(Sheet 2 of 2)

STANDARD B.L.R. 20-4

Illinois Department of Transportation

APPROVED January 1, 2000

ENGINEER OF LOCAL ROADS AND STREETS

APPROVED January 1, 2000

ENGINEER OF DESIGN AND ENVIRONMENT

ISSUED 16-1-1-9