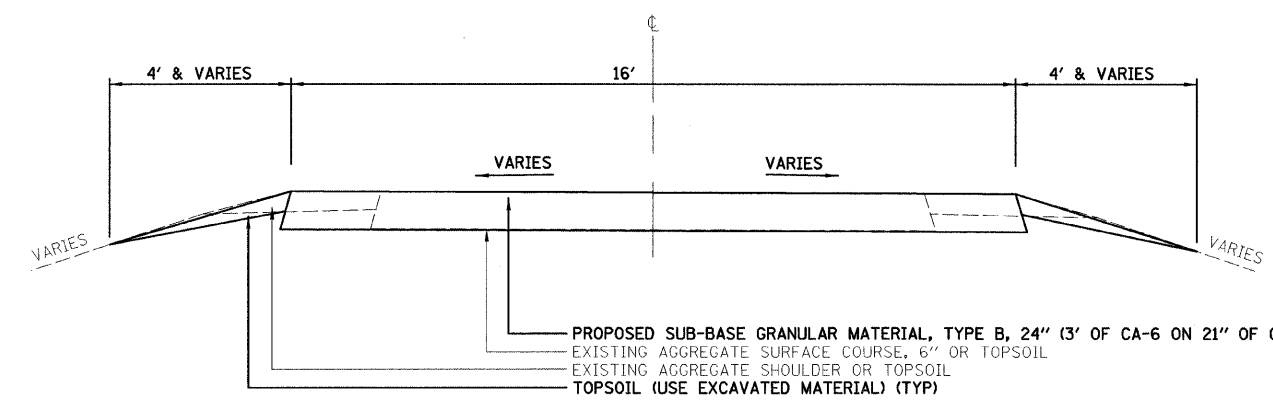


TURF SHOULDER (USE TOPSOIL) (TYP)  
 PROPOSED HOT-MIX ASPHALT SURFACE COURSE, IL 19.0, N50, 1 1/2"  
 PROPOSED HOT-MIX ASPHALT BINDER COURSE MIX "C", N50, 2 1/2"  
 PROPOSED SUB-BASE GRANULAR MATERIAL TYPE B (3" OF CA-6 ON 9" OF CA-2)  
 GEOTECHNICAL REINFORCEMENT (GEOGRID)

NOTE:  
 ① SLOPE TO MATCH EXISTING GROUND

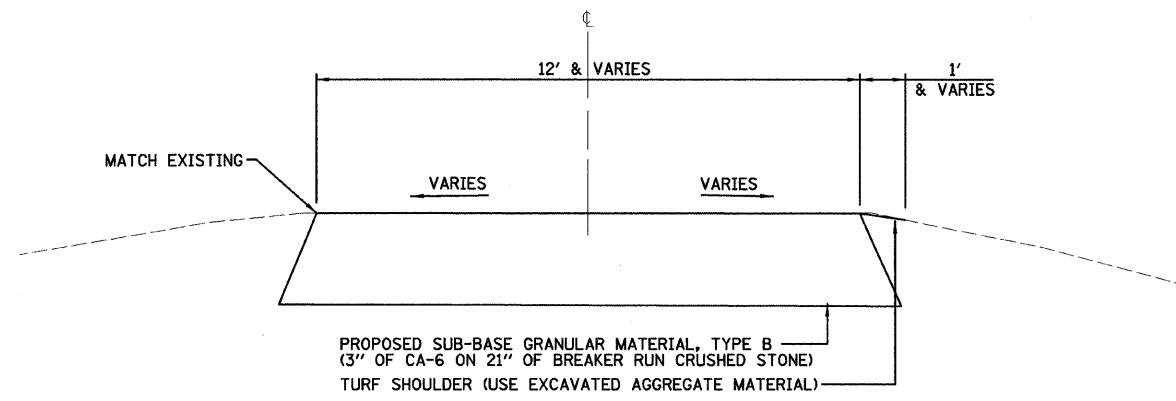
**PROPOSED TYPICAL SECTION**  
 PARKING AREAS



PROPOSED SUB-BASE GRANULAR MATERIAL, TYPE B, 24" (3' OF CA-6 ON 21" OF CA-2) ①  
 EXISTING AGGREGATE SURFACE COURSE, 6" OR TOPSOIL  
 EXISTING AGGREGATE SHOULDER OR TOPSOIL  
 TOPSOIL (USE EXCAVATED MATERIAL) (TYP)

NOTE:  
 ① EXCAVATE TO A DEPTH OF 24". STOCKPILE TOPSOIL AS REQUESTED BY THE ENGINEER. PLACE SUB-BASE GRANULAR MATERIAL TYPE B, 24" IN EXCAVATED AREA FOR CONSTRUCTION. USE STOCKPILED TOPSOIL FOR SHOULDER, SEED AND FERTILIZE.

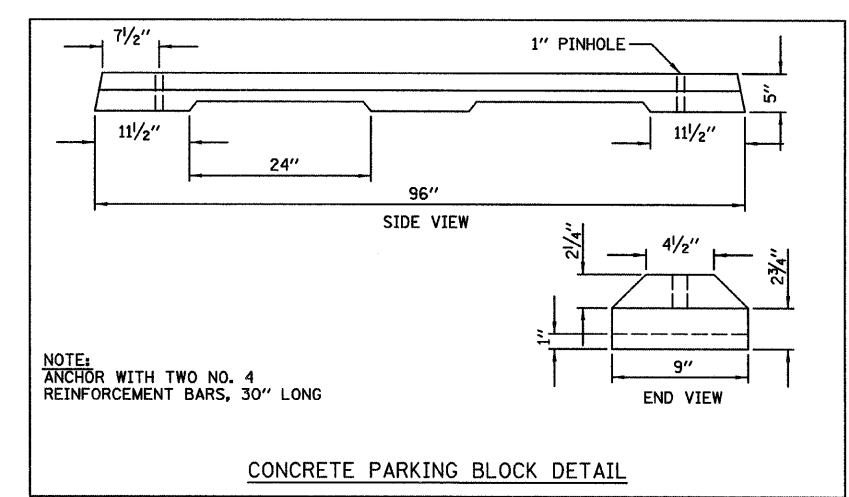
**PROPOSED TYPICAL SECTION**  
 CONSTRUCTION ACCESS ROAD  
 (IL RTE 84 TO PINE KNOB ROAD)  
 (SCENIC RIDGE ROAD TO PINE KNOB ROAD)



PROPOSED SUB-BASE GRANULAR MATERIAL, TYPE B (3" OF CA-6 ON 21" OF BREAKER RUN CRUSHED STONE)  
 TURF SHOULDER (USE EXCAVATED AGGREGATE MATERIAL)

NOTE:  
 FOR CONSTRUCTION AND TO BE LEFT IN PLACE AFTER CONSTRUCTION.

**PROPOSED TYPICAL SECTION**  
 TRUCK TURNAROUNDS



NOTE:  
 ANCHOR WITH TWO NO. 4 REINFORCEMENT BARS, 30" LONG

**CONCRETE PARKING BLOCK DETAIL**

DESIGNED - LAW	REVISED -
DRAWN - DRR	REVISED -
CHECKED - PJM	REVISED -
DATE - 01/27/10	REVISED -

**STATE OF ILLINOIS**  
**DEPARTMENT OF TRANSPORTATION**  
**DIVISION OF HIGHWAYS**

**TYPICAL SECTIONS AND MISCELLANEOUS DETAILS**  
 SCALE: SHEET NO. 4 OF 35 SHEETS STA. TO STA.

**IDOT/IDNR STATEWIDE MISSISSIPPI PALISADES STATE PARK PINE KNOB ROAD**

F.A.	SECTION	COUNTY	TOTAL SHEETS	SHEET NO.
	PINE KNOB ROAD	CARROLL	35	4
FED. ROAD DIST. NO. ILLINOIS FED. AID PROJECT			CONTRACT NO. 46093	
REVISED 02/09/10 DRR			24-8277	