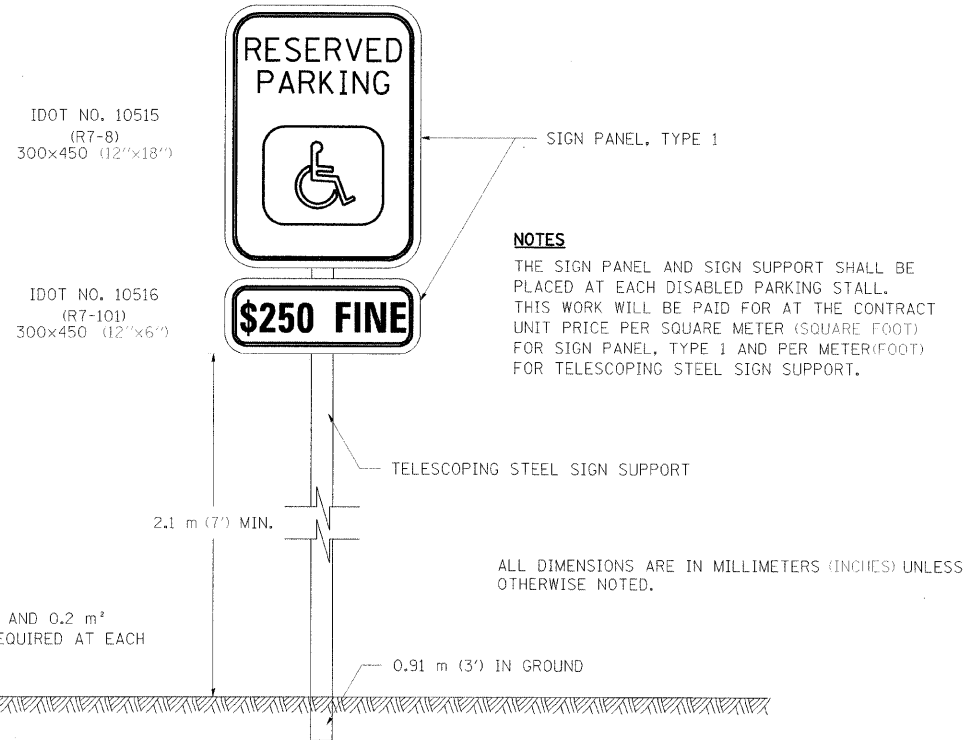
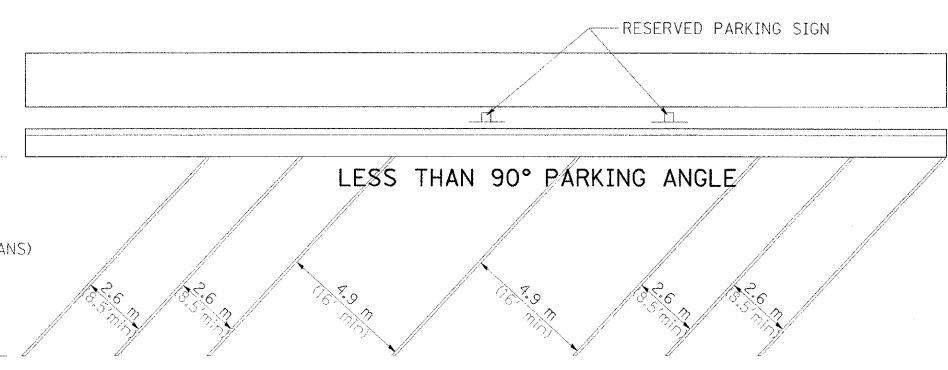
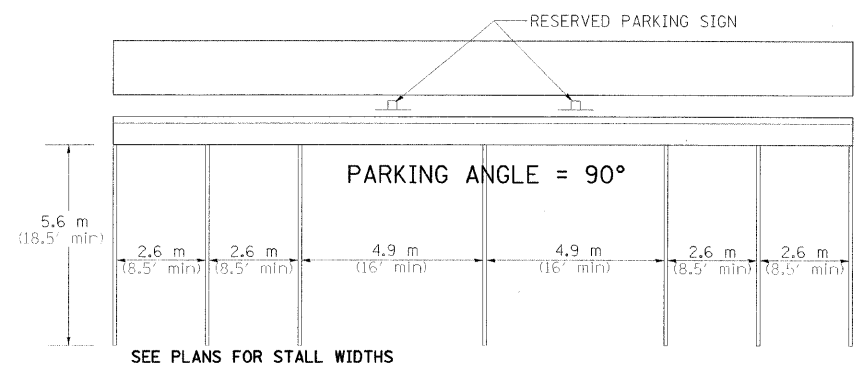


RESERVED PARKING SIGN DETAIL

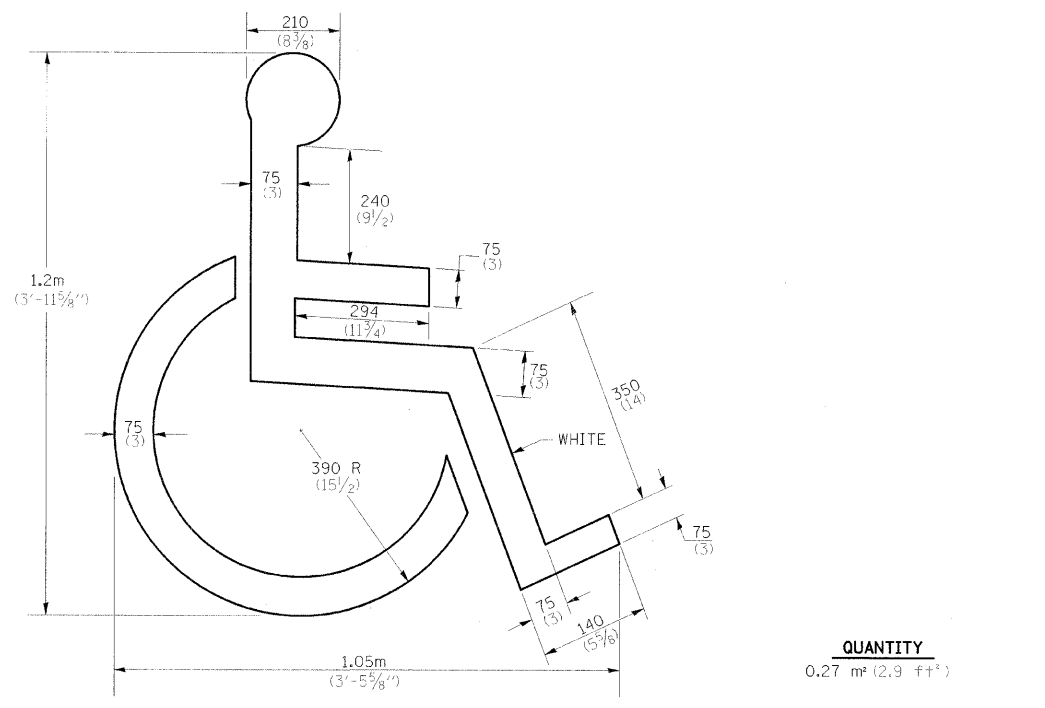


QUANTITIES
3.6 m (12 FT) OF SIGN SUPPORT AND 0.2 m² (2 SQ FT) OF SIGN PANEL IS REQUIRED AT EACH LOCATION.

DISABLED PARKING STRIPING



DISABLED SYMBOL



QUANTITY
0.27 m² (2.9 ft²)

DESIGNED - LAW	REVISED -
DRAWN - DRR	REVISED -
CHECKED - PJM	REVISED -
DATE - 01/27/10	REVISED -

STATE OF ILLINOIS
DEPARTMENT OF TRANSPORTATION
DIVISION OF HIGHWAYS

DISTRICT DETAILS

SCALE: SHEET NO. 19 OF 35 SHEETS STA. TO STA.

IDOT/DNR STATEWIDE
MISSISSIPPI PALISADES STATE PARK
PINE KNOB ROAD

F.A.	SECTION	COUNTY	TOTAL SHEETS	SHEET NO.
	PINE KNOB ROAD	CARROLL	35	19
CONTRACT NO. 46093				
FED. ROAD DIST. NO.	ILLINOIS FED. AID PROJECT			

FARNSWORTH GROUP, INC.

CONSULTING ENGINEERS - 2709 MCGRAW DRIVE BLOOMINGTON, ILLINOIS 61704 (309) 663-8435 / (309) 663-1571 FAX