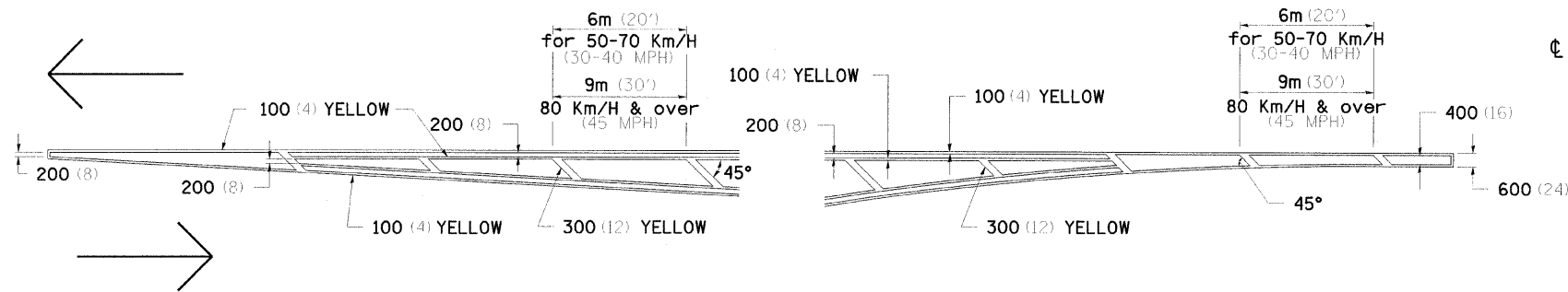
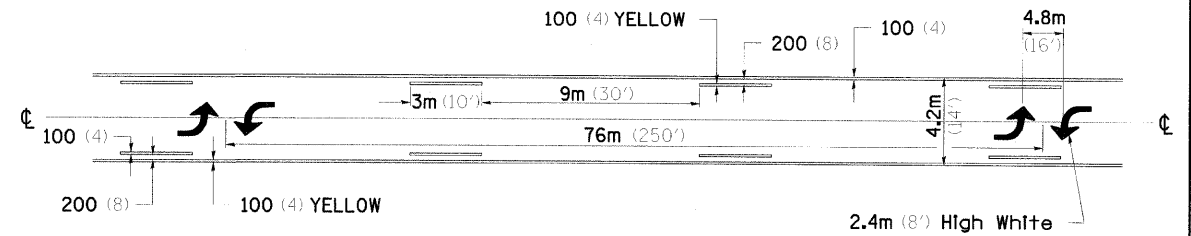


# TYPICAL PAVEMENT MARKINGS

## TYPICAL PAVEMENT MARKING FOR FLUSH MEDIAN AT LEFT TURN LANE

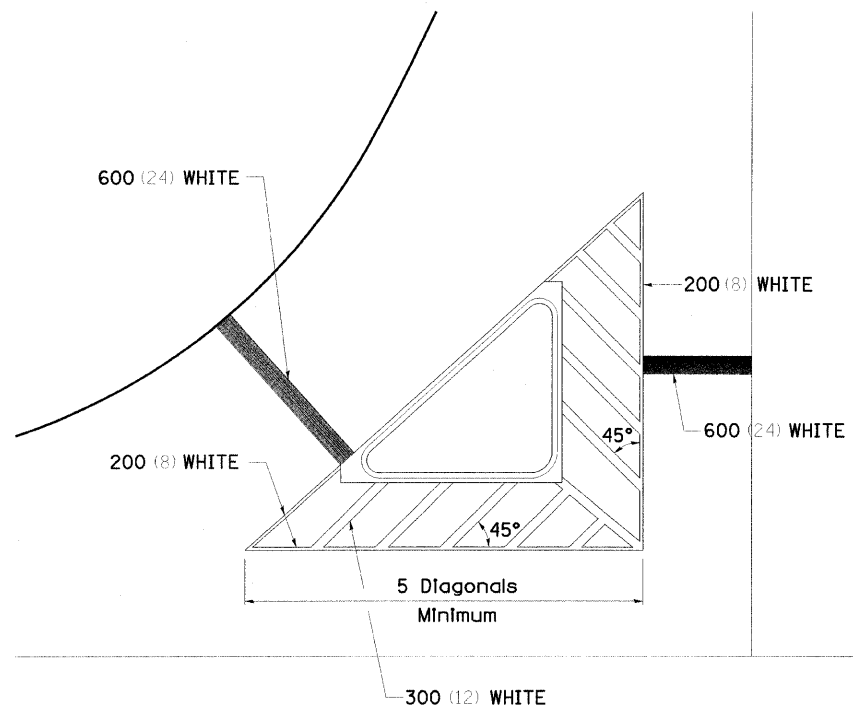


## MEDIAN PAVEMENT MARKING

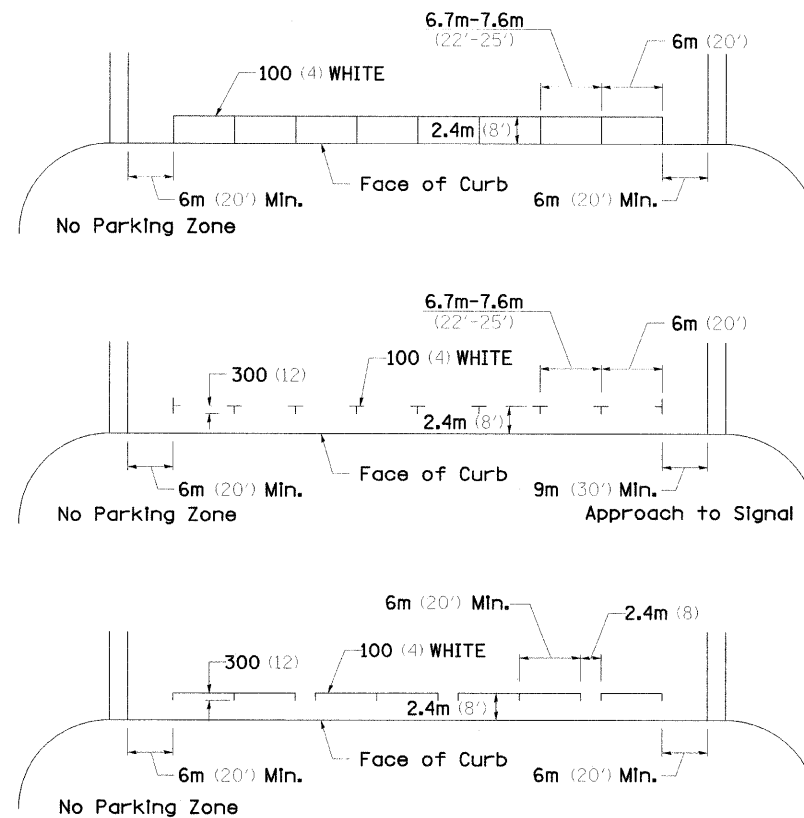


\*\* ALL DIMENSIONS ARE IN MILLIMETERS (INCHES) UNLESS OTHERWISE NOTED.

## TYPICAL ISLAND OFFSET SHOULDER WIDTH

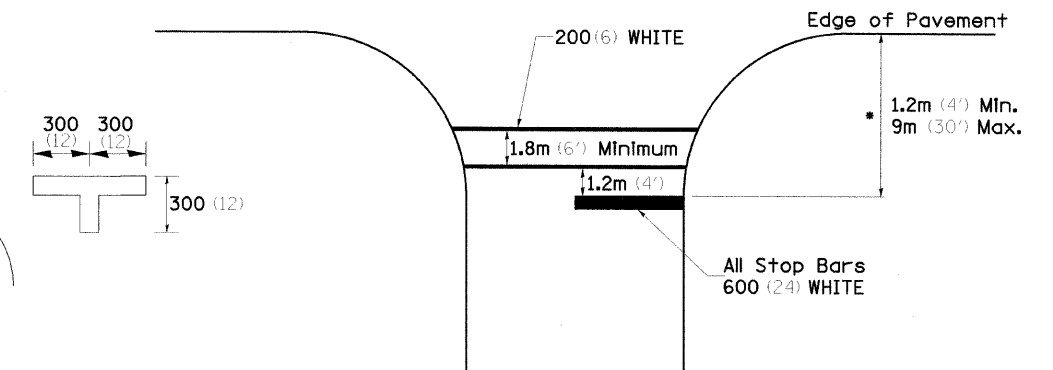


## TYPICAL PARKING SPACING



## STANDARD CROSSWALK MARKING

See Schedules for Locations



• Distance to the nearest edge of the intersecting roadway in the absence of a marked crosswalk.

DESIGNED - LAW	REVISED - 7-20-06
DRAWN - DRR	REVISED -
CHECKED - PJM	REVISED -
DATE - 01/27/10	REVISED -

STATE OF ILLINOIS  
DEPARTMENT OF TRANSPORTATION  
DIVISION OF HIGHWAYS

DISTRICT DETAILS

SCALE: SHEET NO. 22 OF 35 SHEETS STA. TO STA.

IDOT/IDNR STATEWIDE  
MISSISSIPPI PALISADES STATE PARK  
PINE KNOB ROAD

F.A.	SECTION	COUNTY	TOTAL SHEETS	SHEET NO.
	PINE KNOB ROAD	CARROLL	35	22
CONTRACT NO. 46093				

FARNSWORTH GROUP, INC.

CONSULTING ENGINEERS - 2709 MCGRAW DRIVE BLOOMINGTON, ILLINOIS 61704 (309) 663-8435 / (309) 663-1571 FAX

TYPICAL PAVEMENT MARKINGS SHEET 1 OF 2 41.1

24-8277