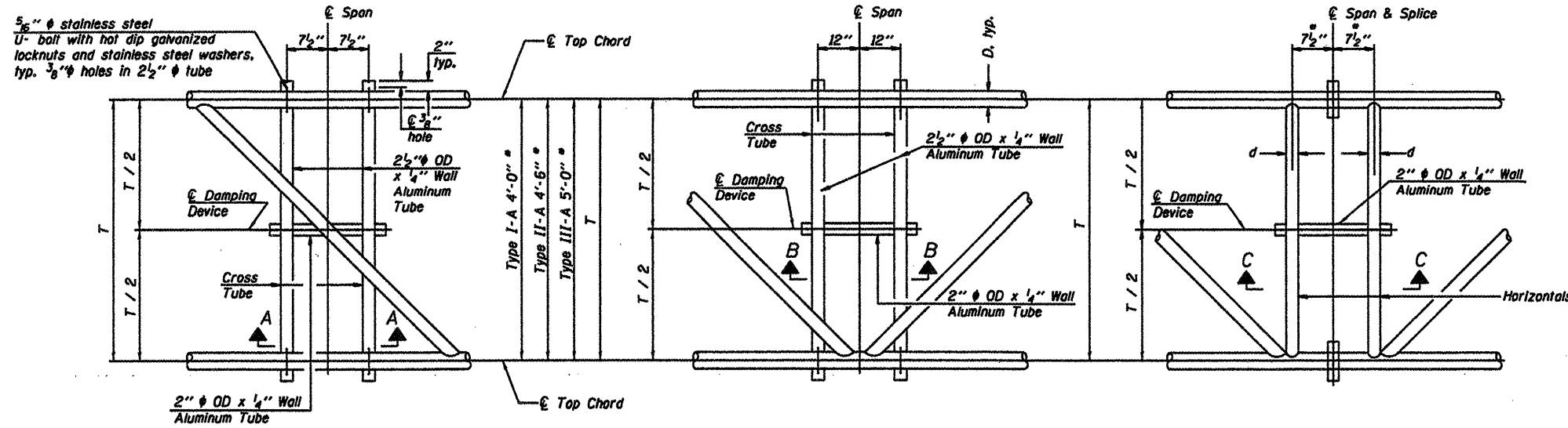


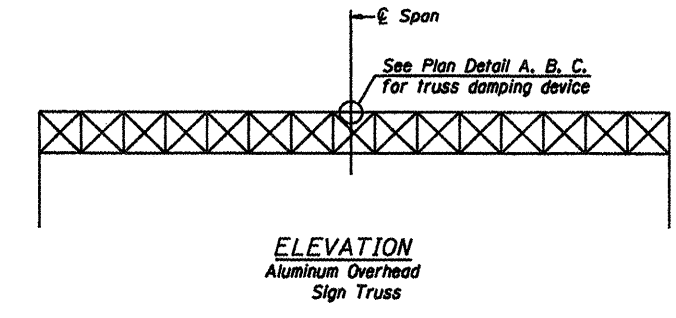
Center of horizontal to center of splice dimension may vary. Verify before drilling holes in mounting tube.



PLAN DETAIL "A"
Span between Panel Points

PLAN DETAIL "B"
Span at Panel Point

PLAN DETAIL "C"
Span at Chord Splice

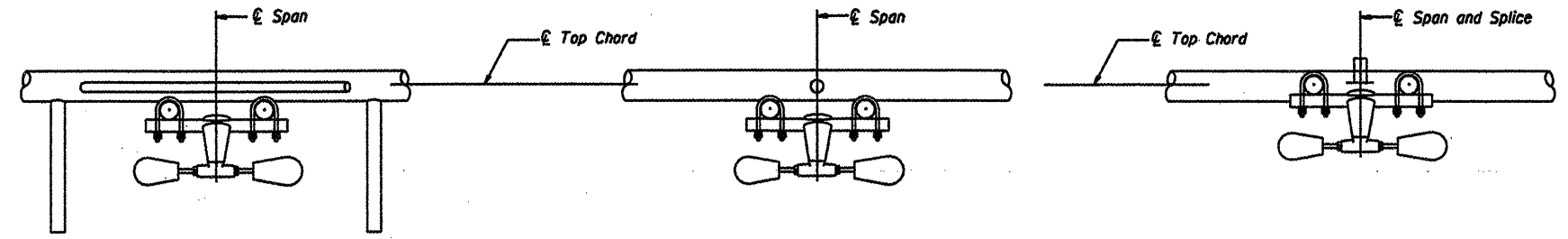


ELEVATION
Aluminum Overhead
Sign Truss

NOTES

Damper: One damper per truss. (31 lbs. minimum Stockbridge-Type Aluminum - 29" minimum between ends of weights) Cost included in Overhead Sign Structure...

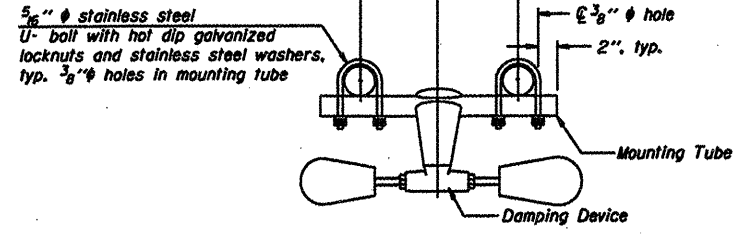
Materials: Materials: Aluminum tubes shall be ASTM B221 alloy 6061 temper T6. Cost included in Overhead Sign Structure...



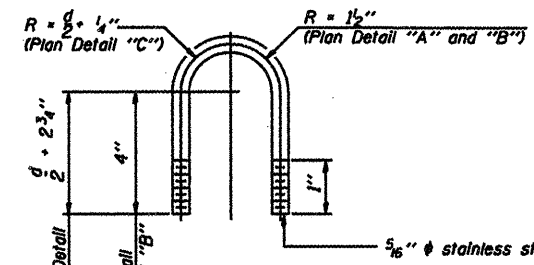
SECTION A-A

SECTION B-B

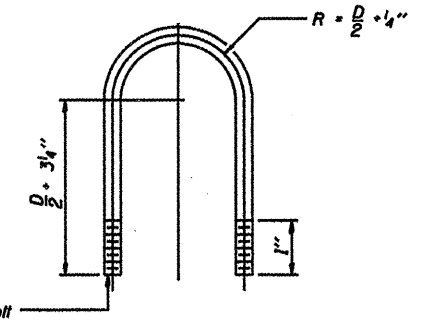
SECTION C-C



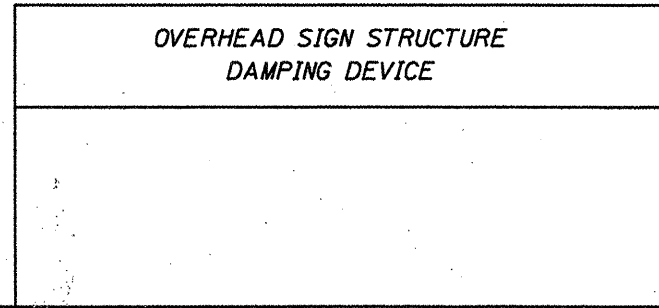
TRUSS DAMPING
DEVICE CONNECTION DETAIL
(Typical)



DAMPING DEVICE MOUNTING
TUBE U-BOLT DETAIL
(Typical)



TOP CHORD TO CROSS TUBE
U-BOLT DETAIL
(Typical - Detail "A" and "B")



FILE NAME: OS-A-D	USER NAME: USER	DESIGNED: -	REVISED: -
SCALE: 1/2" = 1'-0"	DATE: 12-1-08	DRAWN: -	REVISED: -
		CHECKED: -	REVISED: -
		DATE: -	REVISED: -

STATE OF ILLINOIS
DEPARTMENT OF TRANSPORTATION

District 2 Sign Structure Replacement			
SCALE:	SHEET NO.	OF SHEETS	STA. TO STA.

F.A. RTE.	SECTION	COUNTY	TOTAL SHEETS	SHEET NO.
* I-2	OND STR REPL 2010-36	**	31	7
**	Rock Island & Winnebago	CONTRACT NO.	46101	
* Various	ILLINOIS FED. AID PROJECT			