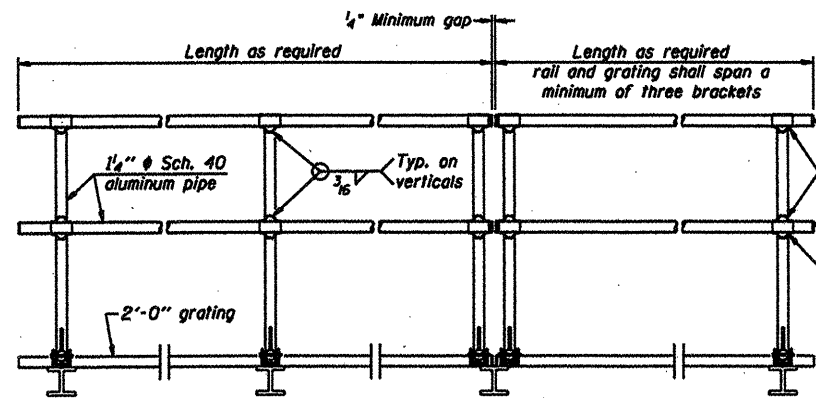


**SIDE ELEVATION**  
(Showing safety chain w/o sign)

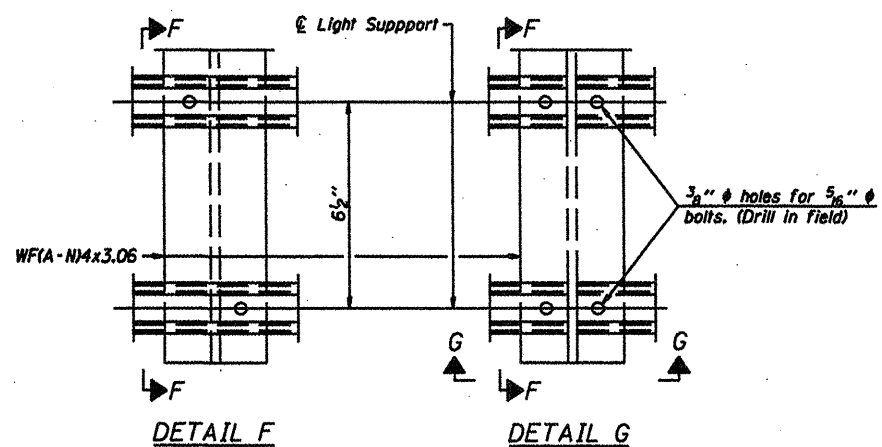


**FRONT ELEVATION**

**HANDRAIL DETAILS**

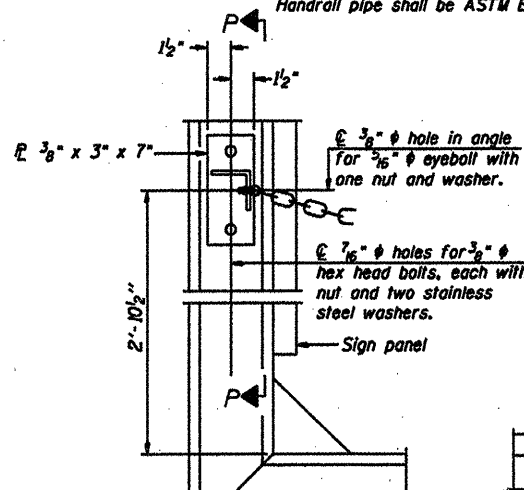
Handrail pipe shall be ASTM B241 or B429, Alloy 6063-T6 or Alloy 6061-T6.

- ① Install standard force-fit end caps or weld 1/2" end plates with 1/2" c.f.w. and grind smooth. (All rail ends)
- ② Horizontal handrail member shall be continuous thru fitting. Provide 1/16" hole in fitting for 3/8" bolt. Field drill 1/16" hole in horizontal rail member. Provide locknut and two stainless steel washers for bolt. (Use 5/16" eyebolts in 1/16" holes on top rail at ends only.)



**DETAIL F**

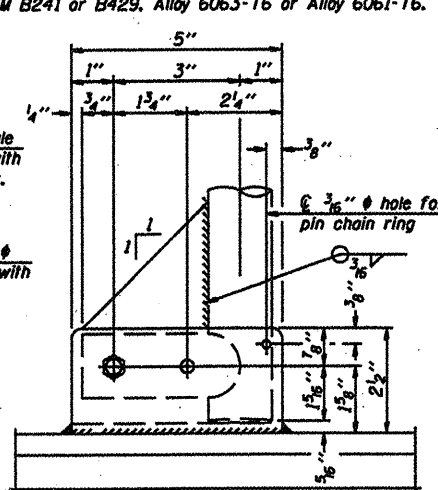
**DETAIL G**



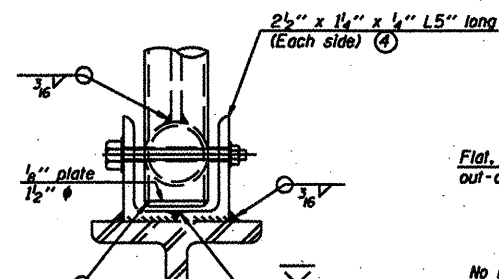
**ALTERNATE SAFETY CHAIN ATTACHMENT**

(With Sign Present)

Items not shown same as "Side Elevation" of "Handrail Details"

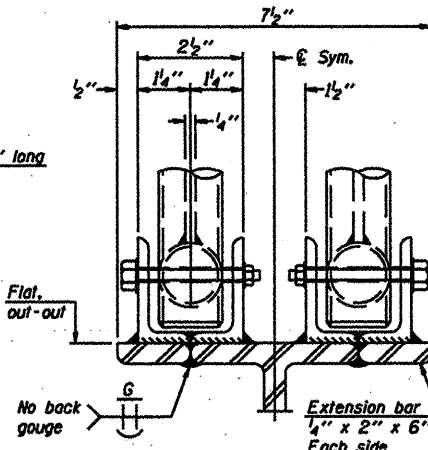


**SIDE ELEVATION**

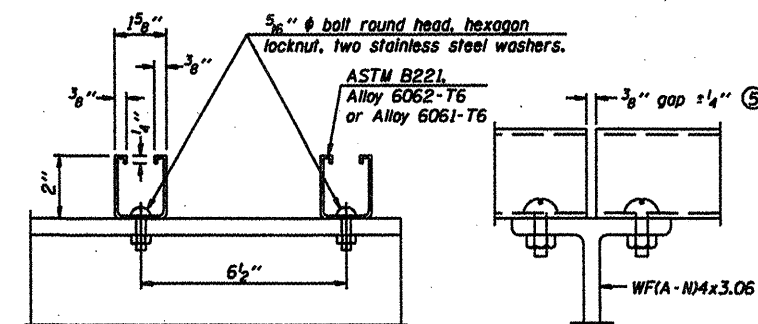


**FRONT ELEVATION**

See "Elevation" at right for dimensions.



**ELEVATION AT HANDRAIL JOINT**

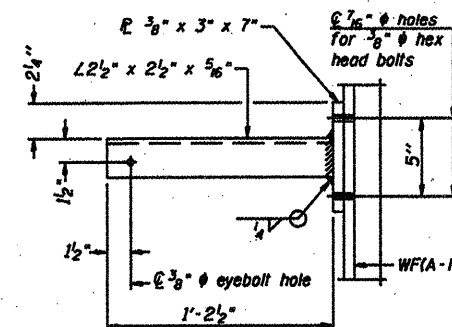


**SECTION F-F**

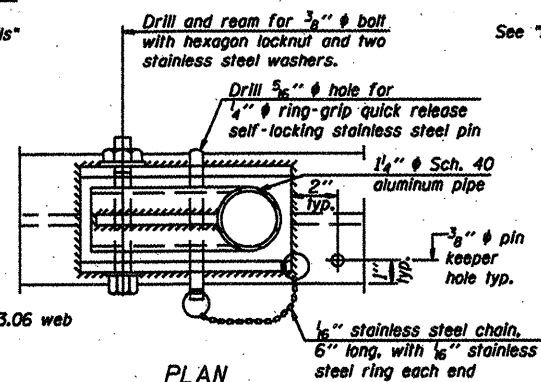
**SECTION G-G**

**LIGHTING FIXTURE MOUNTS (IF REQUIRED)**

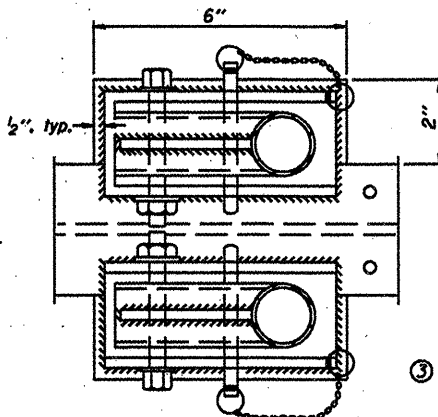
- ⑤ Field cut ends of light support channels shall be free of burrs or hazardous projections and coated with zinc-rich primer or equivalent.



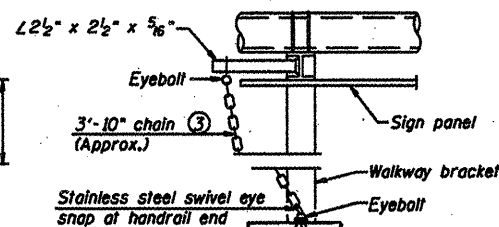
**SECTION P-P**



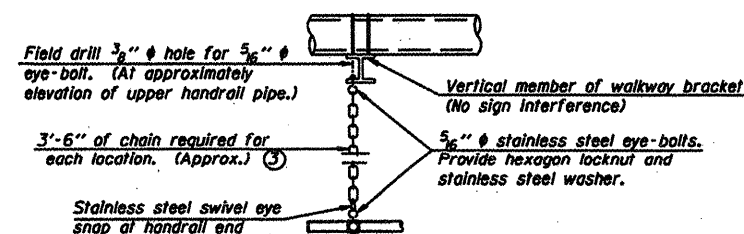
**DETAIL E HANDRAIL HINGE**



**PLAN AT HANDRAIL JOINT**  
Details not shown same as "PLAN"



**ALTERNATE SAFETY CHAIN ATTACHMENT**  
Details not shown similar to "Safety Chain" Details (Walkway omitted for clarity)



**SAFETY CHAIN**

One required for each end of each walkway.

NUMBER	REVISION	DATE

OS-A-11

12-1-08

**OVERHEAD SIGN STRUCTURES  
ALUMINUM HANDRAIL DETAILS**

This sheet is for information only.

FILE NAME	USER NAME	DESIGNED	REVISED
#FILE#	#USER#	-	-
		DRAWN	REVISED
		CHECKED	REVISED
		DATE	REVISED

STATE OF ILLINOIS  
DEPARTMENT OF TRANSPORTATION

District 2 Sign  
Structure Replacement

SCALE	SHEET NO.	OF SHEETS	STA.	TO STA.	F.A. RTE.	SECTION	COUNTY	TOTAL SHEETS	SHEET NO.
					*	D-2 DVD SIGN STR REPL 2010-36	**	31	12
					**	Rock Island & Winnebago	CONTRACT NO.	46101	
					**	Various	ILLINOIS FED. AID PROJECT		