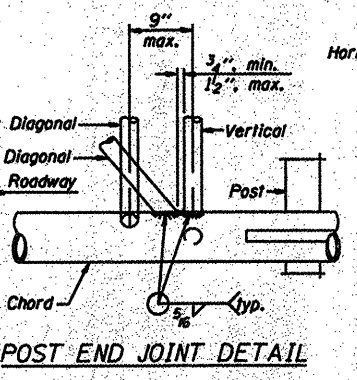
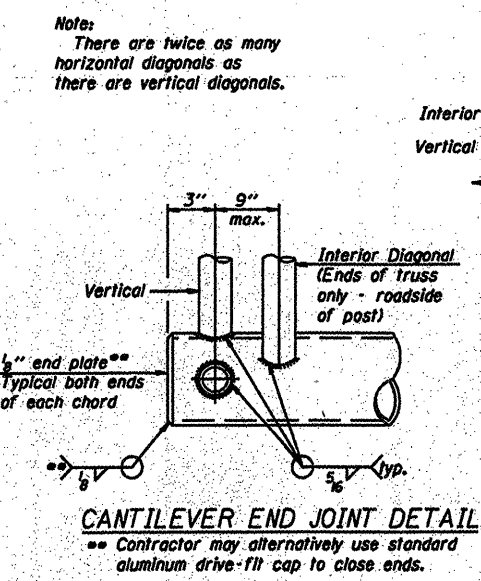
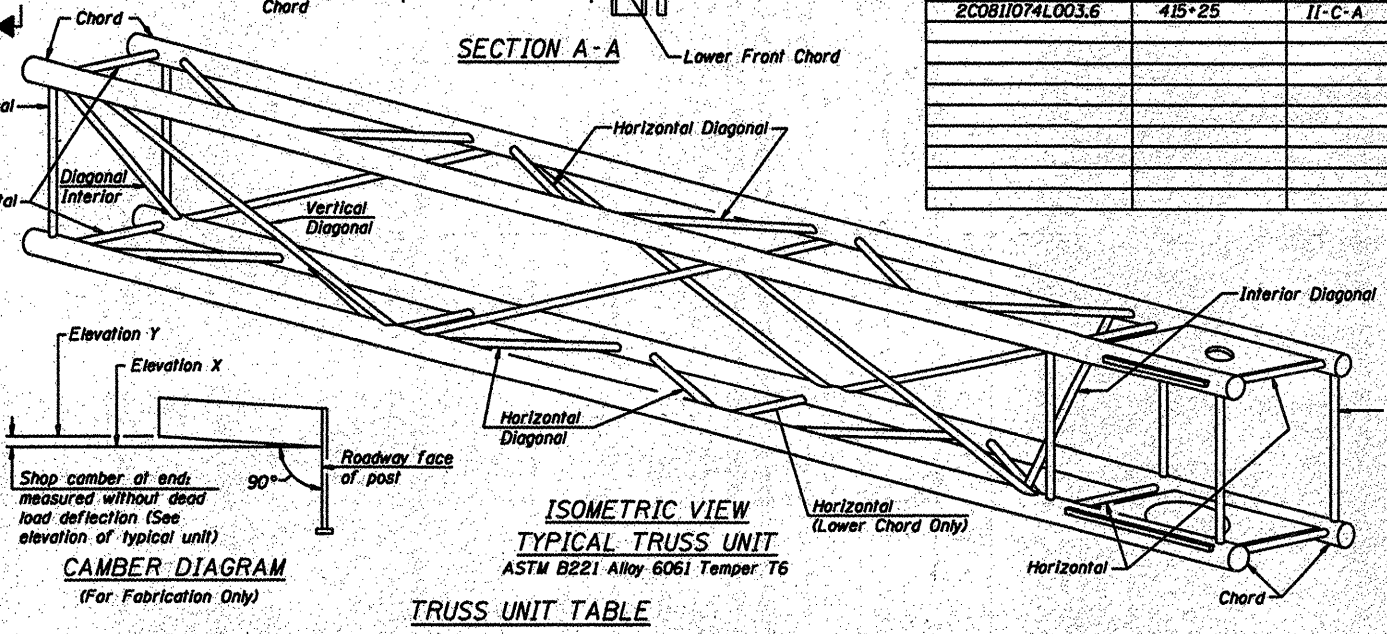


Structure Number	Station	Truss Type	Design Length (L)	Number of Panels Per Unit	Panel Length (P)*
2C08110JDL000.0	83+60	II-C-A	30' 0"	7	4' 0"
2C0811074L003.6	415+25	II-C-A	30' 0"	7	4' 0"



SHOP CAMBER TABLE

Unit Length (L)	Shop Camber at End
15'	1 1/2"
16'-17'	1 3/4"
18'-20'	2"
21'-22'	2 1/4"
23'-25'	2 1/2"
26'-27'	2 3/4"
28'-30'	3"
31'-32'	3 1/4"
33'-35'	3 1/2"
36'-37'	4"
38'-40'	4 1/2"



TRUSS UNIT TABLE

Truss Type	Dimension "a"	Dimension "b"	Dimension "s"	Limits for Panel Spacing (P)*	Up. & Low. Chord O.D. Wall	Verticals, Horizontals, and Interior Diagonals O.D.	Vertical Diagonals Wall
I-C-A	24"	54"	16"	36" min. to 48" max.	5" 5/16"	2 1/2"	5/16"
II-C-A	36"	66"	21"	42" min. to 54" max.	6 1/2" 5/16"	3 1/4"	5/16"
III-C-A (35' Max.)	36"	84"	21"	48" min. to 66" max.	7" 3/8"	3 1/2"	3/8"
III-C-A (>35' to 40')	36"	84"	21"	48" min. to 66" max.	8" 3/8"	3 1/2"	3/8"

*P = (L-6-3") / # Panels

NUMBER	REVISION	DATE

CANTILEVER SIGN STRUCTURES
TRUSS DETAILS
ALUMINUM TRUSS & STEEL POST

OSC-A-2 12-1-08

FILE NAME	USER NAME	DESIGNED	REVISED

STATE OF ILLINOIS
DEPARTMENT OF TRANSPORTATION

District 2 Sign
Structure Replacement

SCALE	SHEET NO.	OF	SHEETS	STA.	TO STA.

F.A. RTE.	SECTION	COUNTY	TOTAL SHEETS	SHEET NO.

CONTRACT NO. 4610