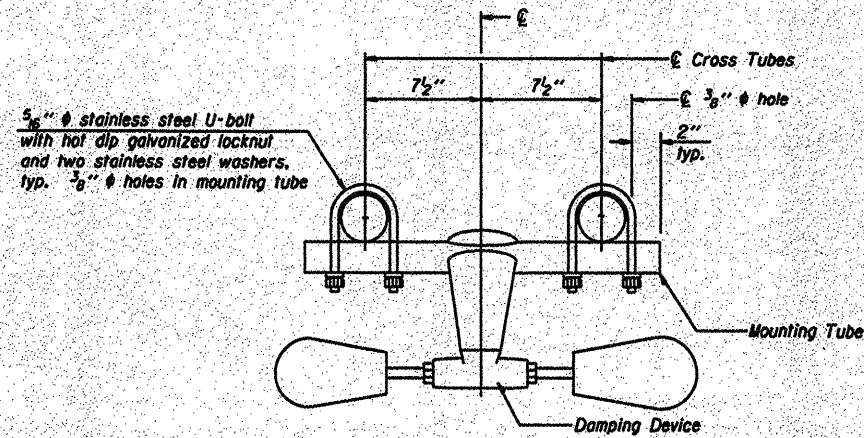
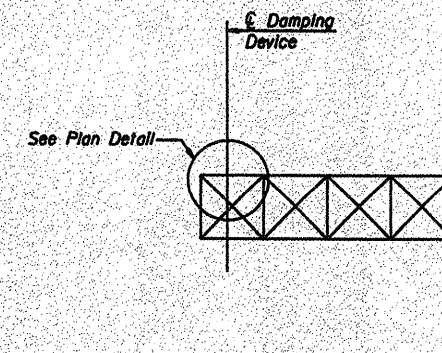


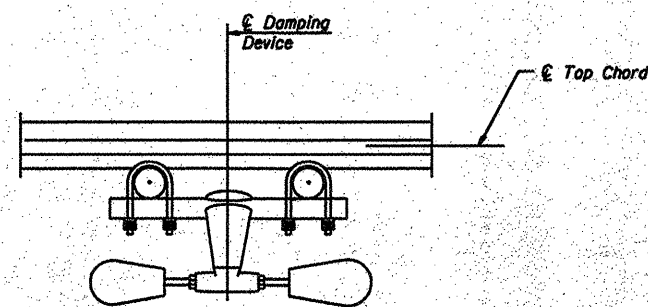
PLAN DETAIL



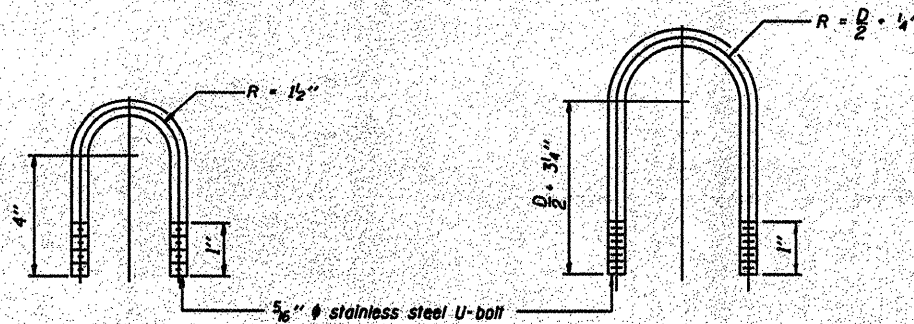
TRUSS DAMPING DEVICE CONNECTION DETAIL



ELEVATION
Aluminum Cantilever
Sign Structure



SECTION A-A



DAMPING DEVICE MOUNTING
TUBE U-BOLT DETAIL
(Typical)

TOP CHORD TO CROSS TUBE
U-BOLT DETAIL
(Typical)

GENERAL NOTES

- Dampers: One damper per truss. (31 lbs. Stockbridge-Type Aluminum-29" minimum between ends of weights)
- Materials: Aluminum tubes shall be ASTM B221 alloy 6061 temper T6

CANTILEVER SIGN STRUCTURE
DAMPING DEVICE

OSC-A-D 12-1-08

FILE NAME	USER NAME	DESIGNED	REVISED
#FILE#	#USER#	DRAWN	REVISED
		CHECKED	REVISED
		DATE	REVISED

STATE OF ILLINOIS
DEPARTMENT OF TRANSPORTATION

District 2 Sign
Structure Replacement

SCALE: SHEET NO. OF SHEETS STA. TO STA.

F.A. RTE.	SECTION	COUNTY	TOTAL SHEETS	SHEET NO.
*	D-2 DVD SIGN STR. REPL. 2010-35	**	31	16
**	Rock Island & Winnebago	CONTRACT NO.	4601	
**	Various	ILLINOIS FED. AID PROJECT		