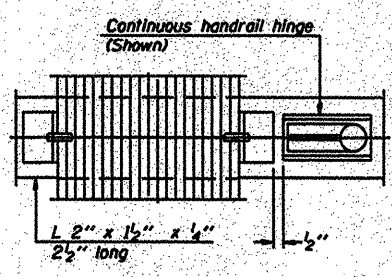


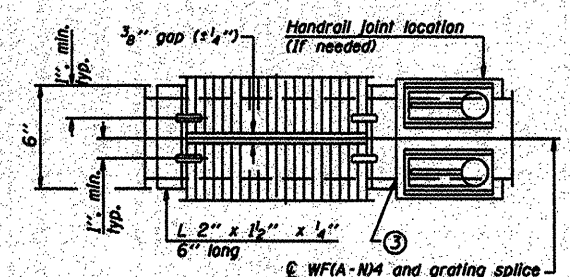
SECTION B-B

Sign shall be even with the top of the bracket, but it may extend no more than 6" above the top of the bracket for field adjustments.



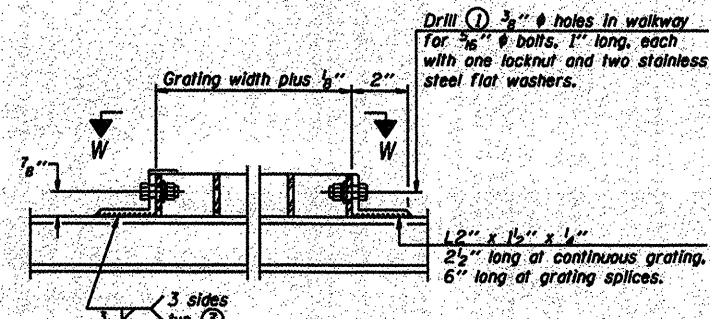
(CONTINUOUS WALKWAY GRATING)

SECTION W-W

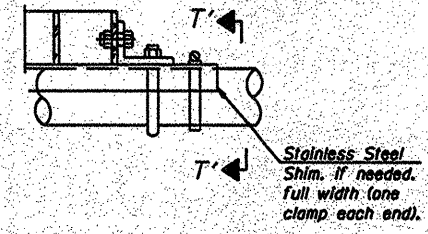


(AT WALKWAY GRATING SPLICE)

SECTION W-W



DETAIL W (Walkway grating)



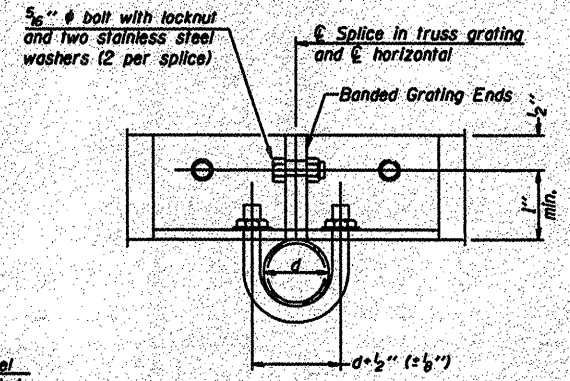
DETAIL T' (Truss grating splice)

Details not shown same as Detail T. Alternate materials may be used subject to the Engineer's review and approval.

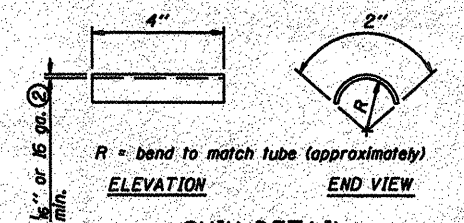
SPECIFICATIONS FOR STANDARD ALUMINUM GRATING
 Main Bearing Bars (MBS) shall be 3/16" x 1 1/2" on 1 3/8" centers and conform to ASTM B211 Alloy 6061-T6.
 Cross bars (CB) shall be 3/16" x 1 1/2" on 4" centers and conform to ASTM B221 Alloy 6063-T5 or 6061-T6.

OR

Aluminum Grating with modified "T" sections for main bearing bars shall meet the following requirements:
 Main bars shall conform to ASTM B221 Alloy 6061-T6 and have a minimum section modulus equal to 0.0705 in³ per bar, a depth of 1 1/2", spaced on 1 3/8" centers.
 Cross bars shall conform to ASTM B221 Alloy 6063-T5 or T-42 and spaced on 4" centers.

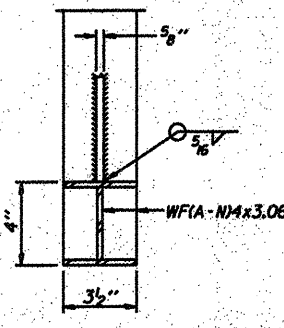


SECTION T'-T'



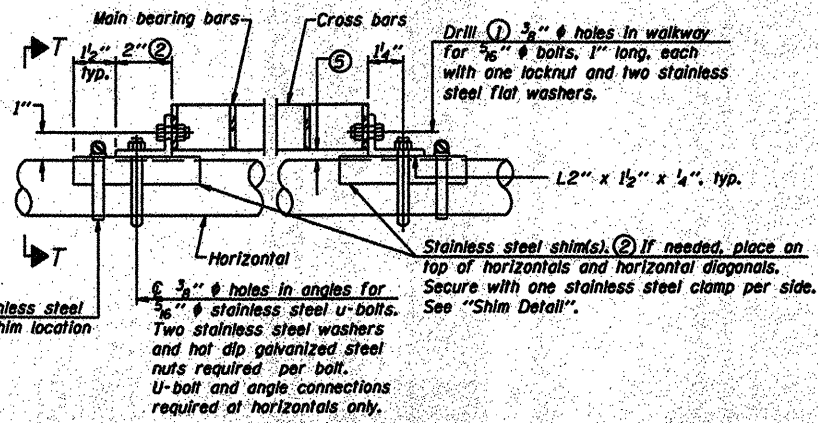
SHIM DETAIL

- Drilling holes in grating may be done in shop or field, based on Contractor's preference and subject to accurate alignment.
- Stainless steel shims shall be placed as shown in Detail T' if needed to compensate for alignment variations between horizontal and diagonal pipes beyond adjustment provided by angles. Thicker shims may be used subject to shims performing properly.
- If Handrail Joint present, weld angle to WF(A)-N4 and 1/4" extension bars. (See Base Sheet OSC-A-8.)
- 1/2" x 1/2" x 2" welded to handrail posts to protect locations that contact grating.
- Tube to grating gap may vary from 0 to 1/2", max. to align walkway, allow for camber, etc.
- Based on actual sign height, D_s given on OSC-A-1.

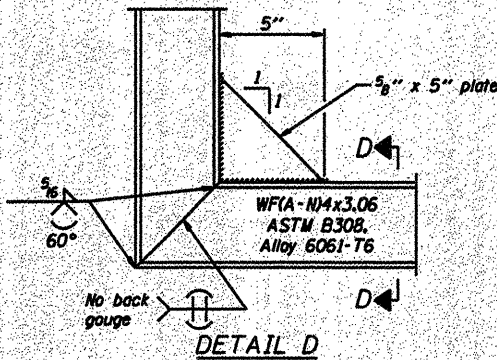


SECTION D-D

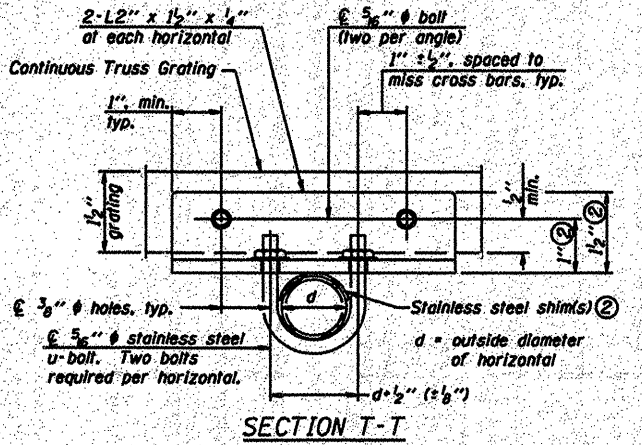
Screw type stainless steel tube clamp at shim location



DETAIL T (Continuous Truss grating)



DETAIL D



SECTION T-T

NUMBER	REVISION	DATE

Structure Number	Station	A	⑥ B	C	⑥ D

Reuse existing walkway and walkway support brackets.

CANTILEVER SIGN STRUCTURES
 WALKWAY DETAILS
 ALUMINUM TRUSS & STEEL POST

OSC-A-7

6-1-09

FILE NAME	USER NAME	DESIGNED	REVISED

STATE OF ILLINOIS
 DEPARTMENT OF TRANSPORTATION

District 2 Sign
 Structure Replacement

SCALE	SHEET NO.	OF SHEETS	STA.	TO STA.

F.A. RTE.	SECTION	COUNTY	TOTAL SHEETS	SHEET NO.