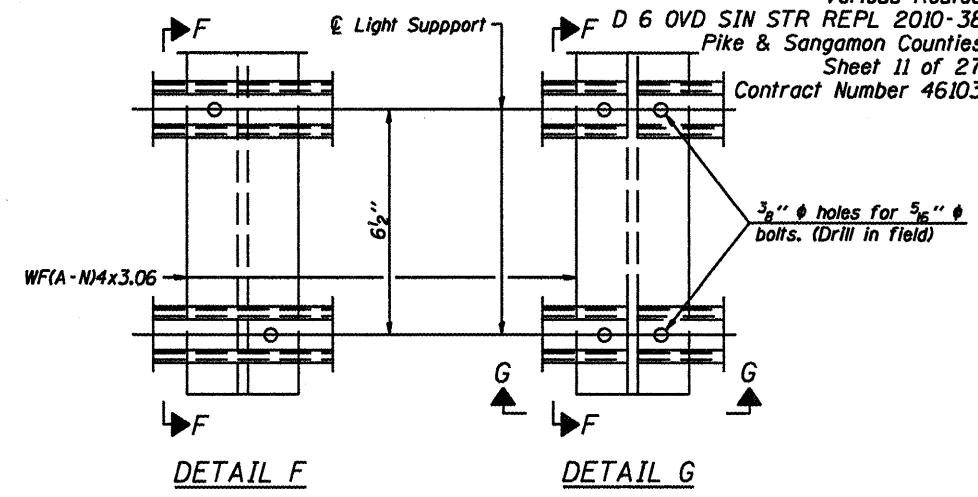


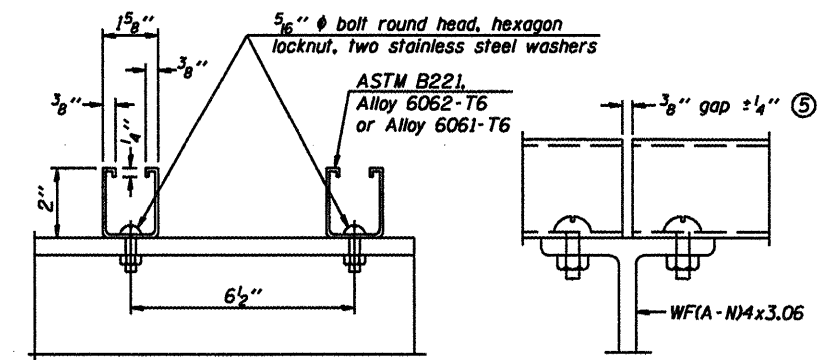
① Install standard force-fit end caps or weld 1/8" end plates with 1/8" c.f.w. and grind smooth. (All rail ends)

Fittings-ASTM B26 Alloy 356-T7 or 1/2" aluminum pipe

② Horizontal handrail member shall be continuous thru fitting. Provide 1/16" hole in fitting for 3/8" bolt. Field drill 1/16" hole in horizontal rail member. Provide locknut and two stainless steel washers for bolt. (Use 5/16" eyebolts in 1/16" holes on top rail at ends only.)

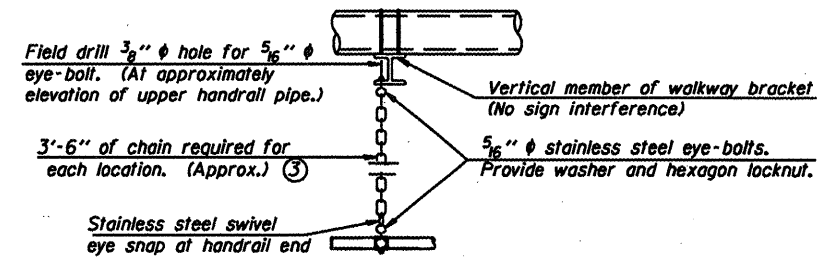


DETAIL F
DETAIL G

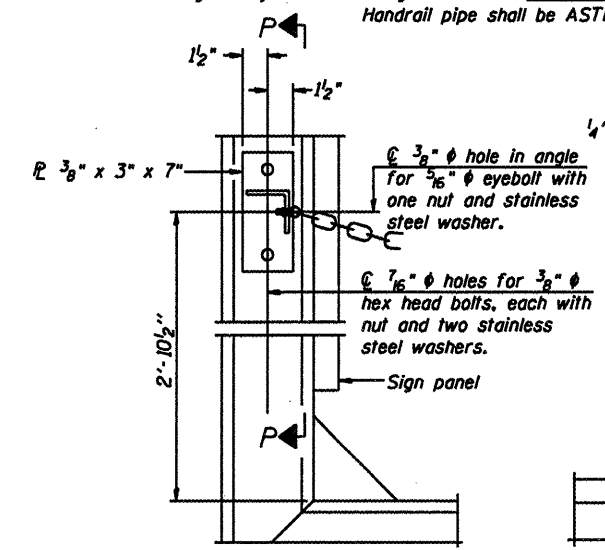


SECTION F-F
SECTION G-G
LIGHTING FIXTURE MOUNTS (IF REQUIRED)

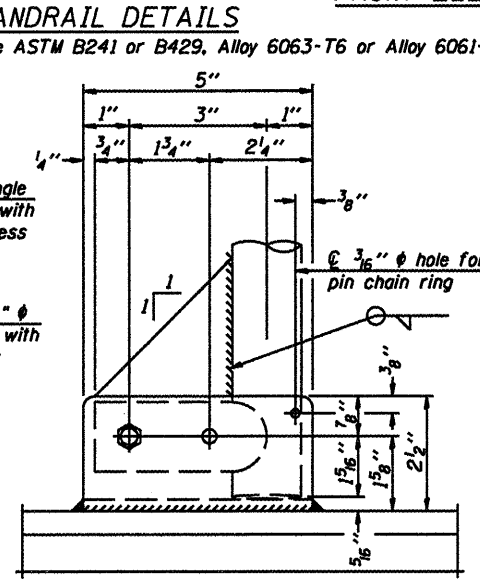
⑤ Field cut ends of light support channels shall be free of burrs or hazardous projections and coated with zinc-rich primer or equivalent.



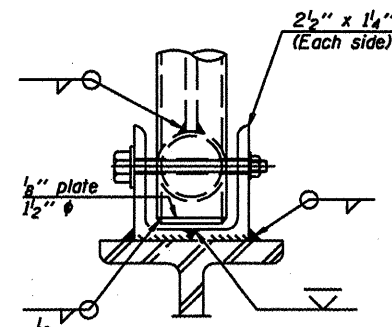
SAFETY CHAIN
One required for each end of each walkway.



ALTERNATE SAFETY CHAIN ATTACHMENT
(With Sign Present)
Items not shown same as "Side Elevation" of "Handrail Details"

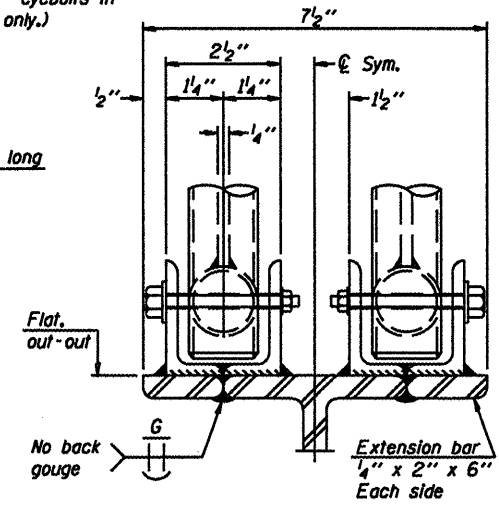


SIDE ELEVATION

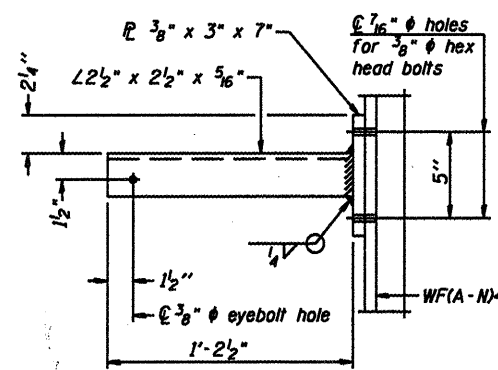


FRONT ELEVATION

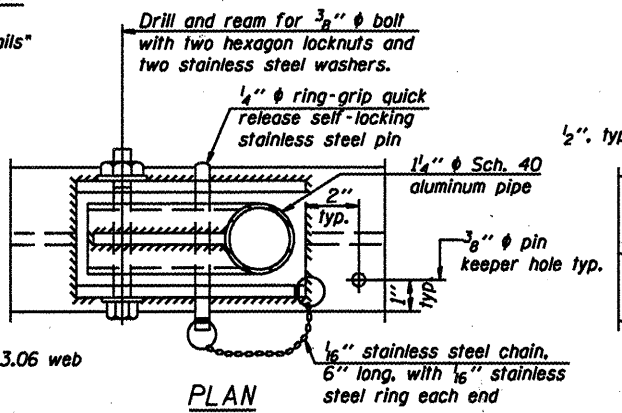
Details not shown same as "ELEVATION" at right.



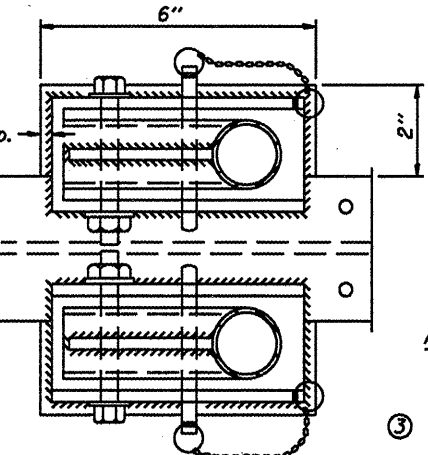
ELEVATION AT HANDRAIL JOINT
Details not shown same as "FRONT ELEVATION"



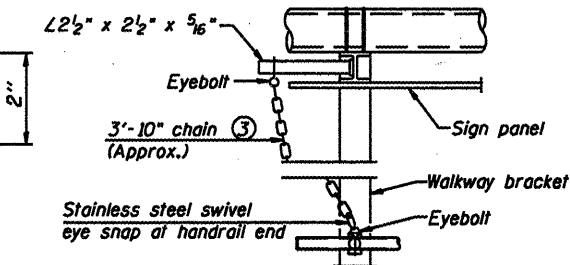
SECTION P-P



DETAIL E HANDRAIL HINGE



PLAN AT HANDRAIL JOINT
Details not shown same as "PLAN"



ALTERNATE SAFETY CHAIN ATTACHMENT
Details not shown similar to "Safety Chain" Details (Walkway omitted for clarity)

③ 3/16" Type 304L stainless steel chain, approximately 12 links per foot.

④ Extrusions may be used in lieu of the details shown, with approval of the Engineer.

CANTILEVER SIGN STRUCTURES
HANDRAIL DETAILS
ALUMINUM TRUSS & STEEL POST

District 6
Sign Structure Replacement

DESIGNED	20
CHECKED	EXAMINED
DRAWN	PASSED
CHECKED	

NUMBER	REVISION	DATE