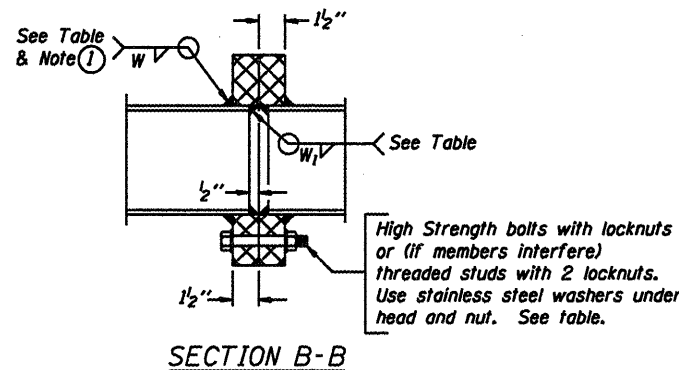
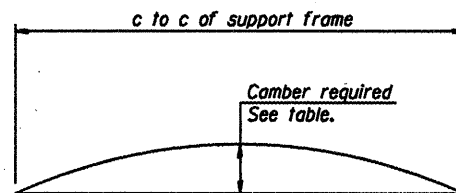
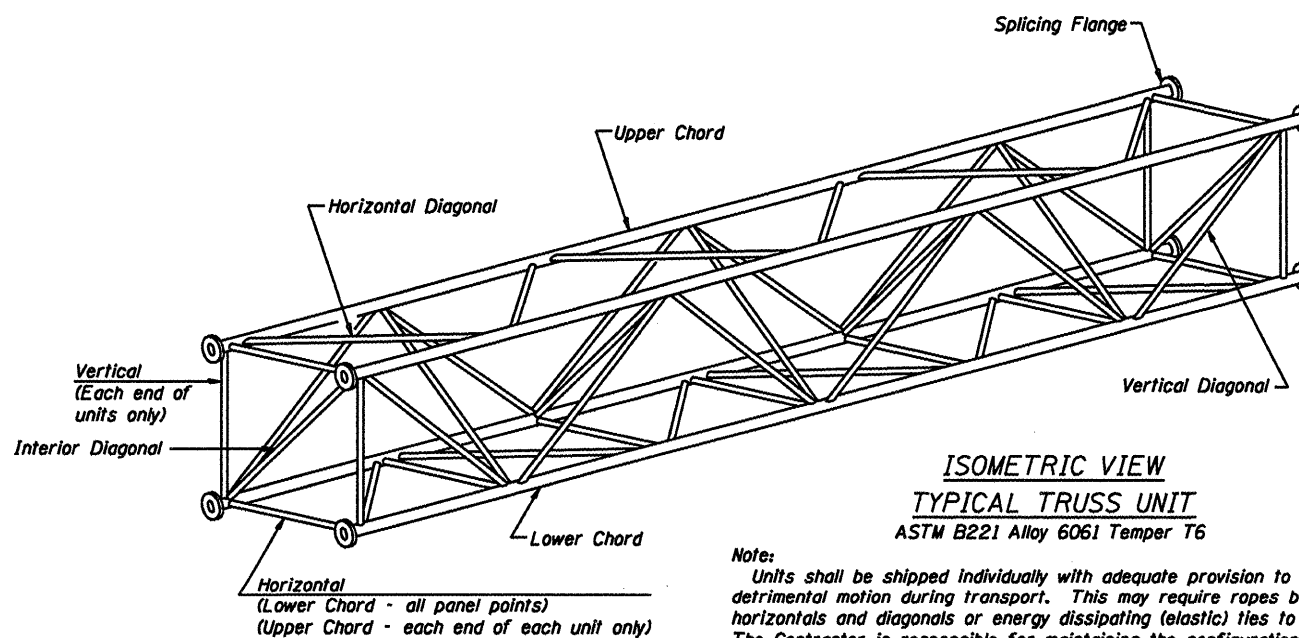


TRUSS UNIT TABLE

Structure Number	Station	Design Truss Type	Exterior Units (2)				Interior Unit				Upper & Lower Chord		Verticals; Horizontals; Vertical, Horizontal, and Interior Diagonals		Camber at Midspan	Splicing Flange					
			No. Panels per Unit	Unit Lgth. (L _e)	Panel Lgth. (P)	No. Req'd.	No. Panels per Unit	Unit Lgth. (L _i)	Panel Lgth. (P)	O.D.	Wall	O.D.	Wall	Bolts		Weld Sizes		A	B		
														No./Splice		Dia.	W			W _i	
6S084B055R000.71	64 + 00	II-A	5	26'-1 3/4"	4'-10 1/4"	1	6	30'-4 1/2"	4'-10 1/4"	5 1/2"	5/16"	3"	5/16"	2"	6	7/8"	3/8"	1/4"	9 1/4"	12 1/4"	
6S084I055L096.7	290 + 00	II-A	7	38'-5 3/4"	5'-2 3/4"	1	6	32'-7 1/2"	5'-2 3/4"	6 1/2"	5/16"	3"	5/16"	3 1/2"	6	1"	3/8"	1/4"	11"	14 1/2"	
6S084I072L103.3	62 + 69.5	II-A	5	28'-7 3/4"	5'-4 1/4"	1	6	33'-4 1/2"	5'-4 1/4"	5 1/2"	5/16"	3"	5/16"	2 1/2"	6	1"	3/8"	1/4"	9 1/4"	12 1/4"	
6S084I055L092.6	72 + 00	II-A	6	31'-3"	4'-10 3/4"	2	6	30'-7 1/2"	4'-10 3/4"	7"	3/8"	3"	5/16"	4 1/4"	8	1"	7/16"	5/16"	11 1/2"	15"	
6S075I072L005.9	1110 + 00	II-A	5	28'-10 1/4"	5'-4 3/4"	1	4	22'-10"	5'-4 3/4"	5 1/2"	5/16"	3"	5/16"	2"	6	7/8"	3/8"	1/4"	9 1/4"	12 1/4"	

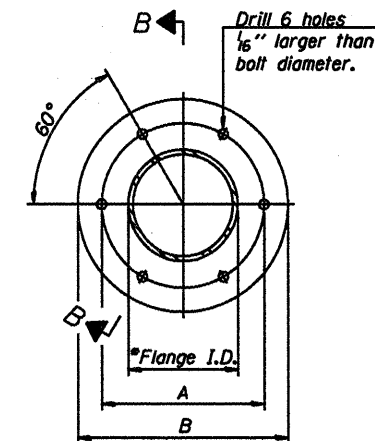
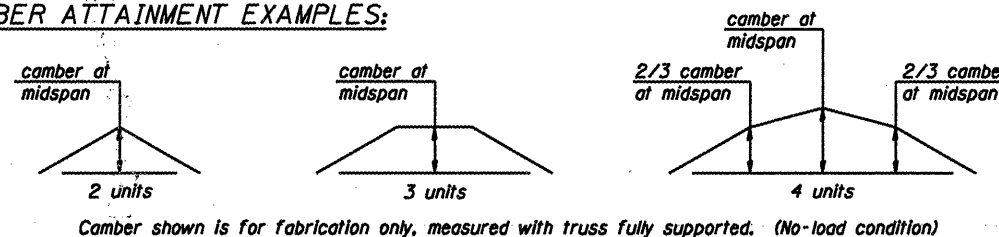


① Splicing Flanges shall be attached to each truss unit with the truss shop assembled to camber shown. Truss units shall be in proper alignment and flange surfaces shall be shop bolted into full contact before welding. Sufficient external welds or tacks shall be made to secure flanges until remaining welds are made after disassembly. Adjacent flanges shall be "match marked" to insure proper field assembly.

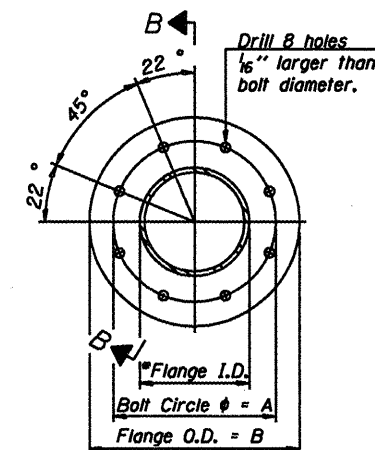


CAMBER DIAGRAM
Camber curve shown is theoretical. Actual camber attained by slope changes at splices between units.

CAMBER ATTAINMENT EXAMPLES:



TRUSS TYPES I-A, II-A, & III-A



TRUSS TYPES II-A & III-A

SPlicing FLANGES
ASTM B221, Alloy 6061-T6
or ASTM B209, Alloy 6061-T651
*To fit O.D. of Chord with maximum gap of 1/16".

NUMBER	REVISION	DATE

DESIGNED	20
CHECKED	EXAMINED
DRAWN	PASSED
CHECKED	ENGINEER OF BRIDGES AND STRUCTURES

OVERHEAD SIGN STRUCTURES
ALUMINUM TRUSS DETAILS
FOR TRUSS TYPES I-A, II-A and III-A

District 6
Sign Structure Replacement