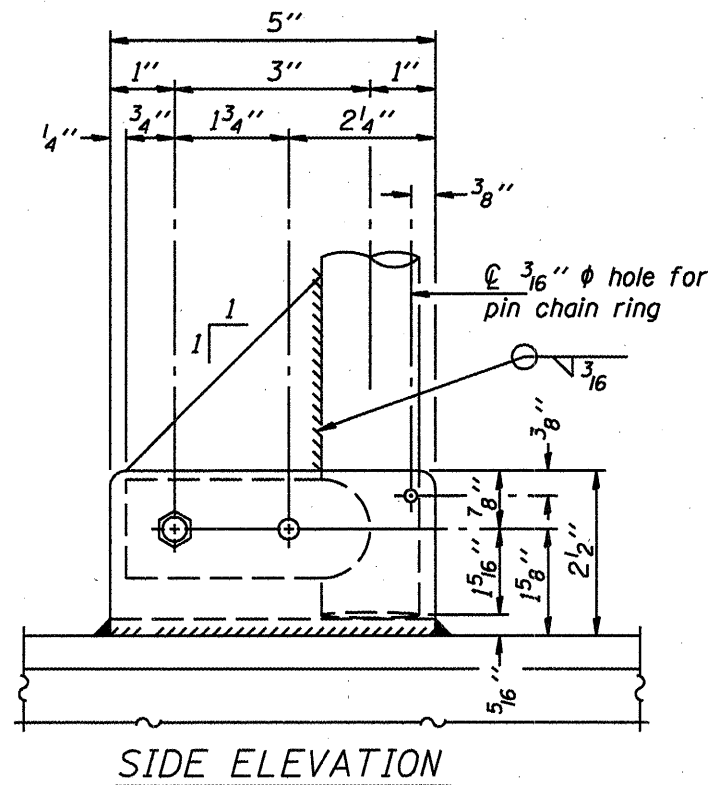
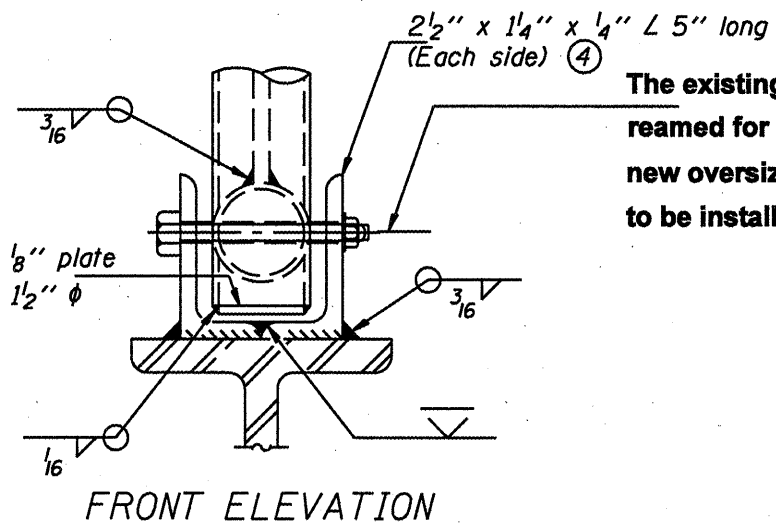


STATE OF ILLINOIS DEPARTMENT OF TRANSPORTATION

Various Routes
D 6 OVD SIN STR REPL 2010-38
Pike & Sangamon Counties
Sheet 25 of 27
Contract Number 46103



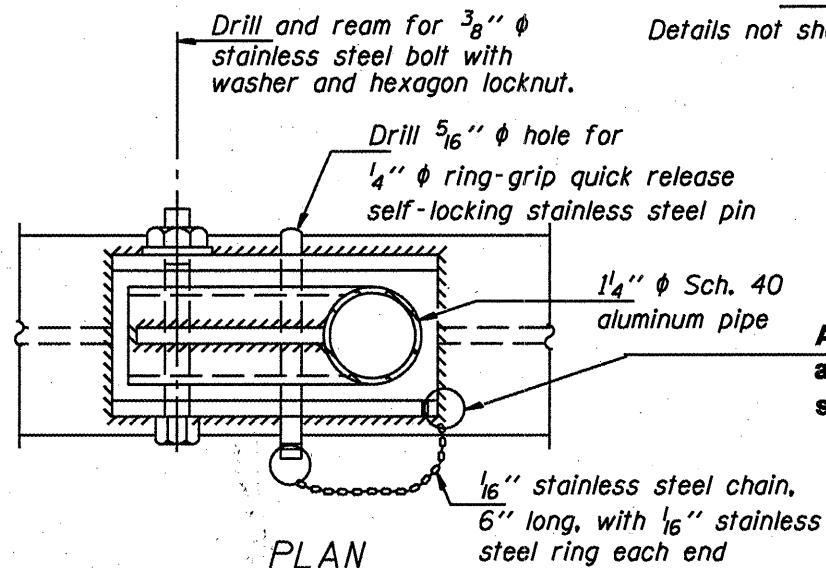
SIDE ELEVATION



FRONT ELEVATION

The existing locking pin hole to be reamed for proper alignment and a new oversized stainless steel pin to be installed.

Details not shown same as "ELEVATION" at right.



PLAN
DETAIL E HANDRAIL HINGE

A new stainless steel chain shall be attached to the angle with a 1/16" stainless steel ring.

OVERHEAD SIGN STRUCTURES
HANDRAIL HINGE REPAIR DETAIL

District 6
Sign Structure Replacement