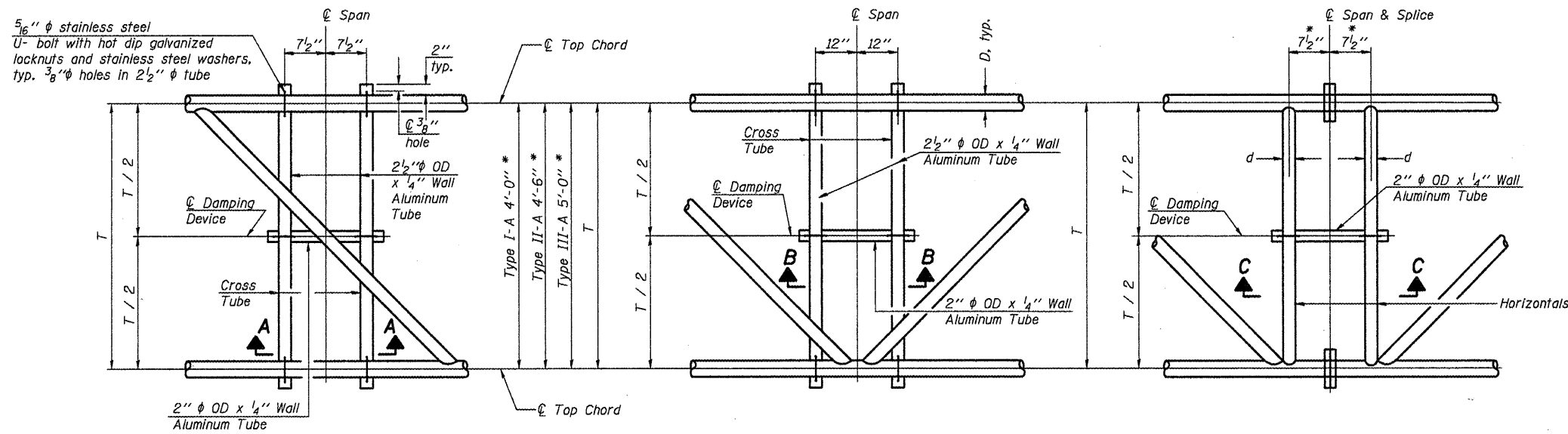


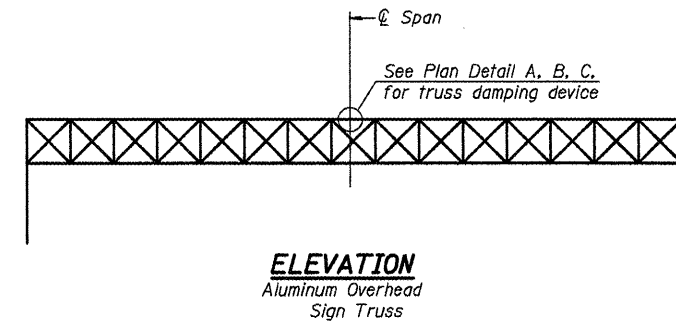
\* Center of horizontal to center of splice dimension may vary. Verify before drilling holes in mounting tube.



**PLAN DETAIL "A"**  
Span between Panel Points

**PLAN DETAIL "B"**  
Span at Panel Point

**PLAN DETAIL "C"**  
Span at Top Chord Splice

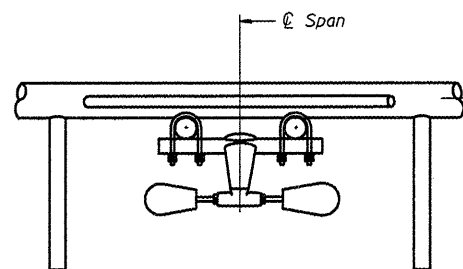


**ELEVATION**  
Aluminum Overhead Sign Truss

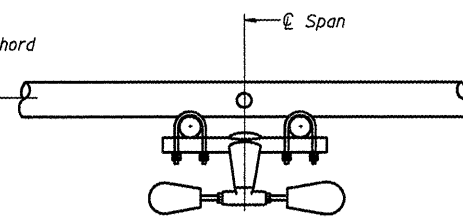
**NOTES**

**Damper:** One damper per truss. (31 lbs. minimum Stockbridge-Type Aluminum - 29" minimum between ends of weights) Cost included in Overhead Sign Structure...

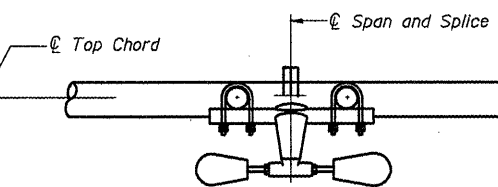
**Materials:** Materials: Aluminum tubes shall be ASTM B221 alloy 6061 temper T6. Cost included in Overhead Sign Structure...



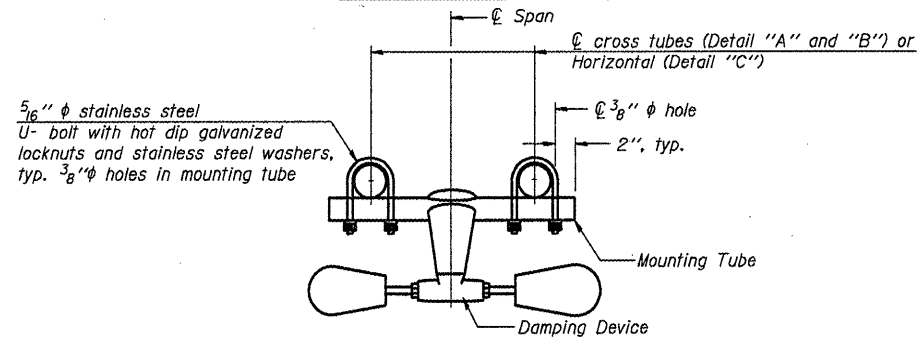
**SECTION A-A**



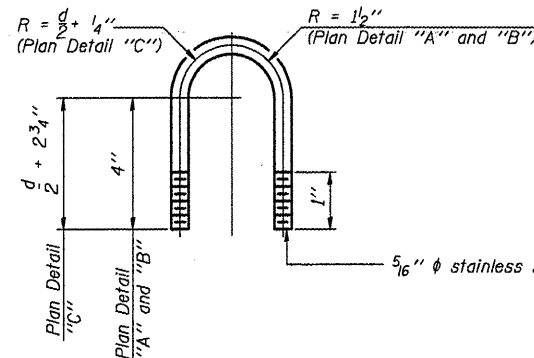
**SECTION B-B**



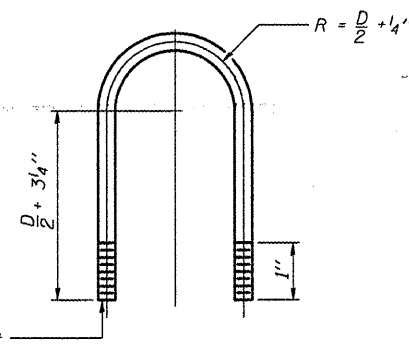
**SECTION C-C**



**TRUSS DAMPING DEVICE CONNECTION DETAIL**  
(Typical)



**DAMPING DEVICE MOUNTING TUBE U-BOLT DETAIL**  
(Typical)



**TOP CHORD TO CROSS TUBE U-BOLT DETAIL**  
(Typical - Detail "A" and "B")

OS-A-D

FILE NAME =	USER NAME = ceo-lockjd	DESIGNED -	REVISED -
ca:\p\work\PI\DDT\CEARLOCKJD\08108151.D	46110-sht-details.dgn	DRAWN -	REVISED -
	PLOT SCALE = 48.0000' / IN.	CHECKED -	REVISED -
	PLOT DATE = 1/21/2010	DATE -	REVISED -

STATE OF ILLINOIS  
DEPARTMENT OF TRANSPORTATION

OVERHEAD SIGN STRUCTURE  
DAMPING DEVICE

SCALE: SHEET NO. OF SHEETS STA. TO STA.

F.A. RTE.	SECTION	COUNTY	TOTAL SHEETS	SHEET NO.
*	D-5 OSS REPL 2010-46	Various	77	32
* Various			CONTRACT NO. 46110	
ILLINOIS FED. AID PROJECT				