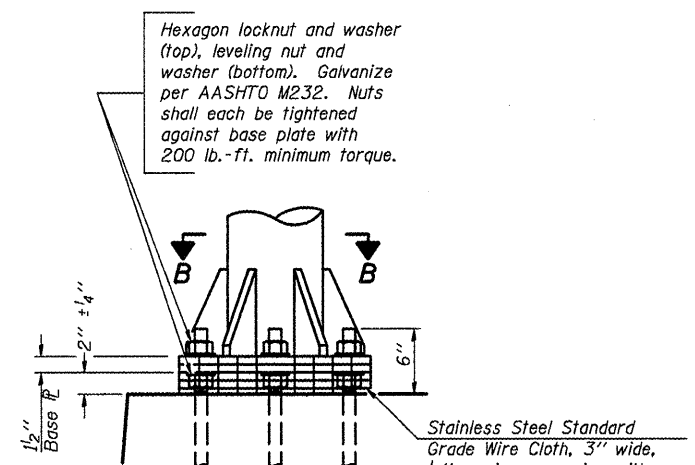
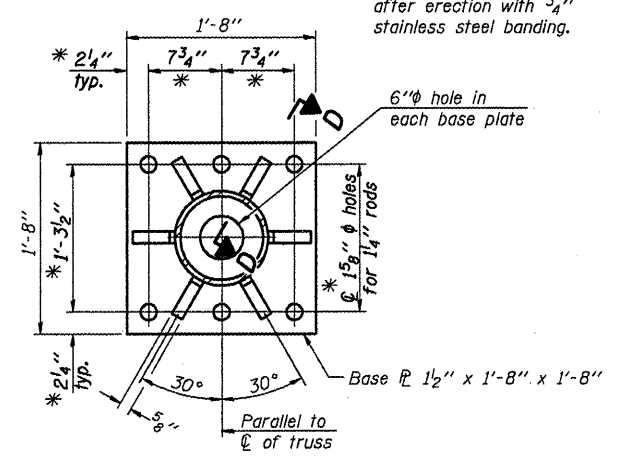


NON-STANDARD DESIGN



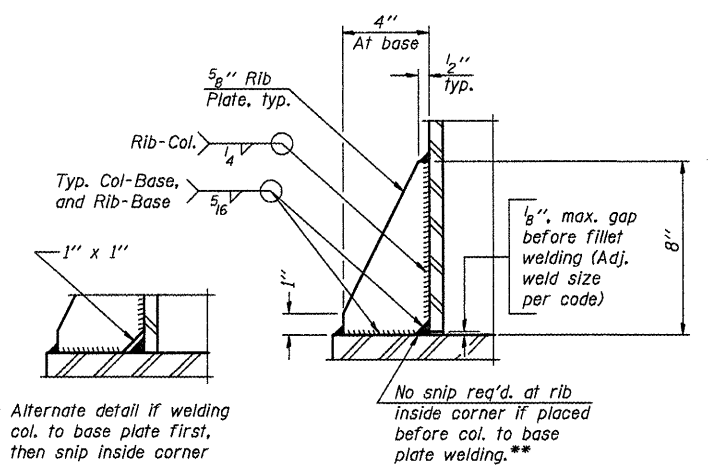
DETAIL B

Ribs shall be cut to fit slope of pipe.
 Stainless Steel Standard Grade Wire Cloth, 3" wide, 1/4" maximum opening with a minimum wire diameter of AWG. No. 16 with a minimum 2" lap. Secure to base plate after erection with 3/4" stainless steel banding.



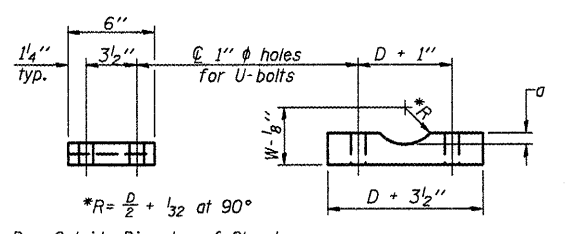
SECTION B-B

NUMBER	REVISION	DATE



SECTION D-D

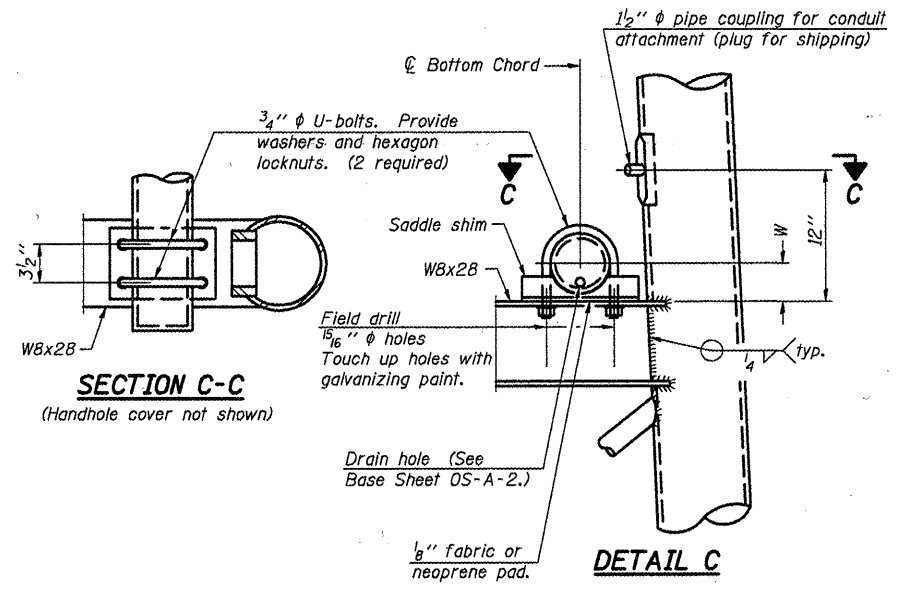
** Alternate detail if welding col. to base plate first, then snip inside corner of ribs. Terminate weld on rib 1/4" from snip.



SADDLE SHIM DETAIL

ASTM B26 Alloy 356-F
 or
 ASTM B209 Alloy 6061-T651
 (4 required per sign truss)

Truss Chord Nominal Dia.	a
5"	3 1/2"
5 1/2"	13/16"
6"	7/8"
6 1/2"	5/16"
7"	1"



SECTION C-C

(Handhole cover not shown)

DETAIL C

NOTES: Structure No. 5S057S009R019.00 & 5S057S009R019.40

1. New End Supports to be installed on existing concrete foundations with existing anchor bolts. Provide new anchor bolt nuts and washers as necessary.
2. The Contractor shall field verify the existing end support dimensions and the existing anchor bolt dimensions to verify the "non-standard" dimensions provided in the plans prior to fabrication of the new end supports.
3. Removing all grout between the base plate and the foundation, cleaning and painting the exposed anchor bolts, and installing a stainless steel screen will be paid for under "Overhead Sign Support Grout Repair".

10" φ PIPE SUPPORT FRAME DETAILS

OS-A-6A * Non-Standard dimension to match existing foundations

FILE NAME =	USER NAME = ceo-lookjd	DESIGNED -	REVISED -	STATE OF ILLINOIS DEPARTMENT OF TRANSPORTATION	OVERHEAD SIGN STRUCTURES SUPPORT FRAME DETAILS ALUMINUM TRUSS	F.A. RTE.	SECTION	COUNTY	TOTAL SHEETS	SHEET NO.
cd:\pwork\pwork\CEARL\CKJD\0180151\046118-ahd-details.dgn	46118-ahd-details.dgn	DRAWN -	REVISED -			* D-5 OSS REPL 2010-46	Various	77	34	
PLOT SCALE = 48.0000' / IN.	CHECKED -	REVISED -	REVISED -			* Various	CONTRACT NO. 46110			
PLOT DATE = 1/21/2010	DATE -	REVISED -	REVISED -			SCALE: SHEET NO. OF SHEETS STA. TO STA.		ILLINOIS FED. AID PROJECT		