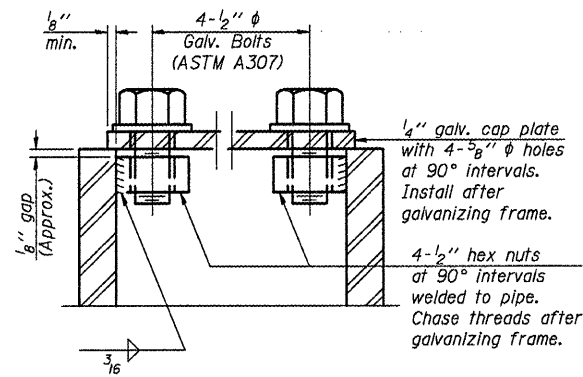
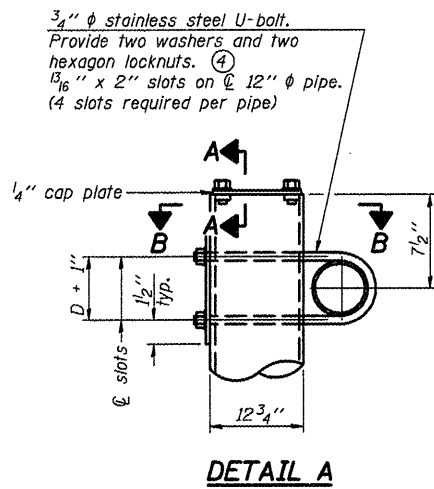
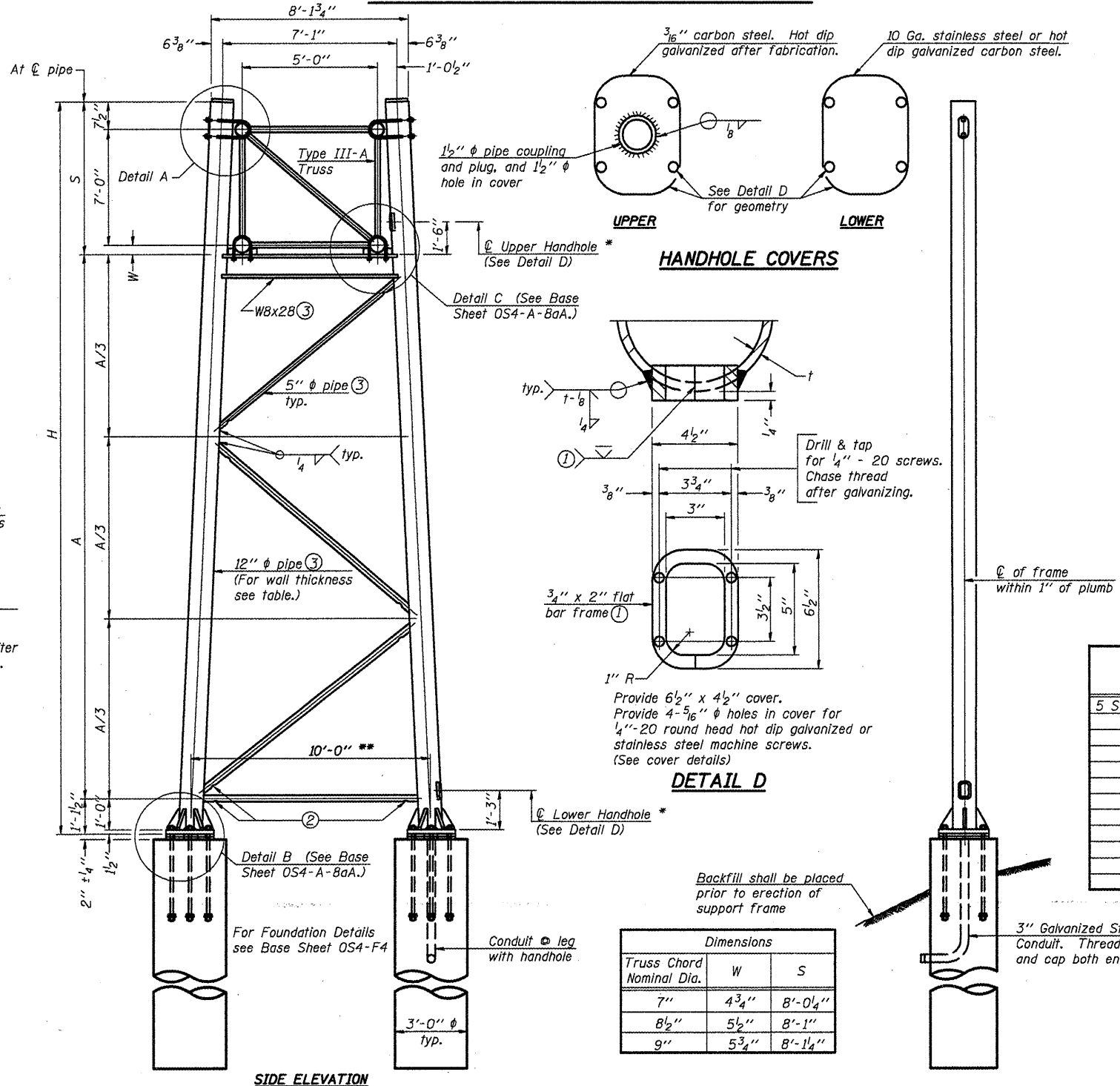
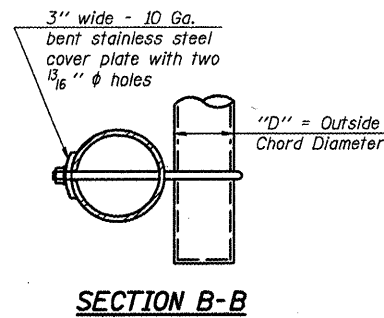


NON-STANDARD DESIGN



As an alternate to bolts, may use galvanized drive-fit caps installed after galvanizing frame.



Dimensions		
Truss Chord Nominal Dia.	W	S
7"	4 3/4"	8'-0 1/4"
8 1/2"	5 1/2"	8'-1"
9"	5 3/4"	8'-1 1/4"

TRUSS SUPPORT DETAILS
(12" ϕ Pipe-Type III-A Truss)

NUMBER	REVISION	DATE

Support Design Loads: See Base Sheet OS-A-1 for design and loading criteria.
Load combinations checked include deadload plus:
a) 100% wind normal to sign, 20% parallel to sign
b) 60% wind normal to sign, 30% parallel to sign

- ① In lieu of fabricated handhole frame as shown, may cut from 2" plate (rolling direction vertical). All cut faces to be ground to ANSI Roughness of 500 μ in or less.
 - ② Galvanizing vent holes of adequate size shall be provided on underside at each end of bracing pipes. Alternately, holes may be provided in wall of pipe column. All vent holes shall be drilled and de-burred, typ.
 - ③ Steel pipe, plate, carbon steel handhole covers and rolled sections shall be hot dip galvanized after fabrication. Painting is not permitted. See Base Sheet OS-A-1.
 - ④ See General Notes for fasteners.
 - ⑤ Dimensions shown are based on selection criteria in the Sign Structures Manual. Nonstandard applications must have dimensions verified or amended as appropriate.
 - ⑥ "H" based on 15'-0" or actual sign height, whichever is greater.
- * For dynamic message sign installations, provide upper and lower handholes in both legs of each support frame.

Structure Number	Station	Support		Pipe Wall Thickness	H ⑥	A
		Left	Right			
5 S 057 S009 R019.10	156+50	NORTH		0.33	29'-10 1/4"	20'-8 1/2"
	156+50	SOUTH		0.33	30'-1 3/4"	21'-0"

- NOTES: Structure No. 5S057S009R019.10
1. New End Supports to be installed on existing concrete foundations with existing anchor bolts. Provide new anchor bolt nuts and washers as necessary.
 2. The Contractor shall field verify the existing end support dimensions and the existing anchor bolt dimensions to verify the "non-standard" dimensions provided in the plans prior to fabrication of the new end supports.
 3. Removing all grout between the base plate and the foundation, cleaning and painting the exposed anchor bolts, and installing a stainless steel screen will be paid for under "Overhead Sign Support Grout Repair".

OS4-A-8a ** Non-Standard dimension to match existing foundations