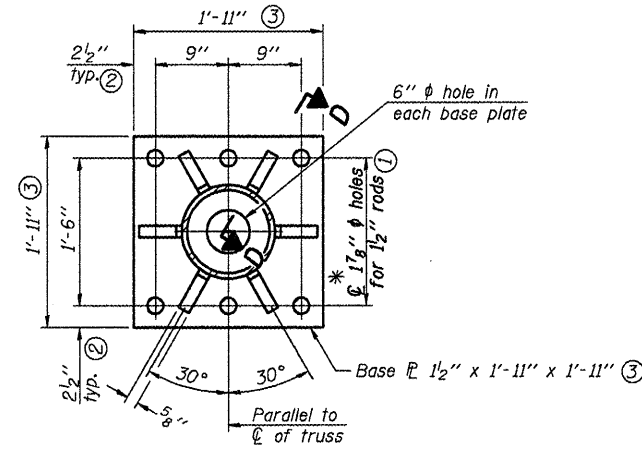
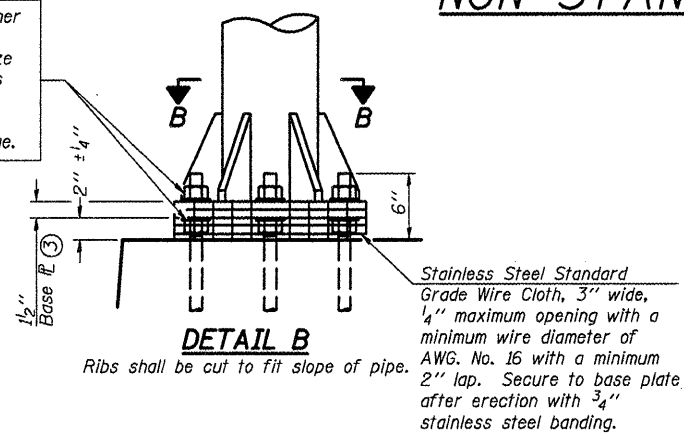
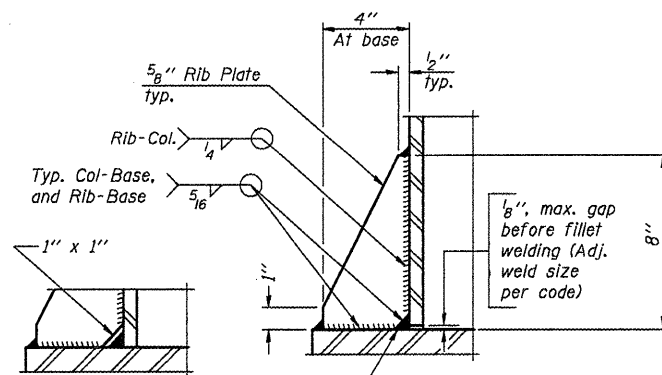


# NON-STANDARD DESIGN

Hexagon locknut and washer (top), leveling nut and washer (bottom). Galvanize per AASHTO M232. Nuts shall each be tightened against base plate with 200 lb.-ff. minimum torque.

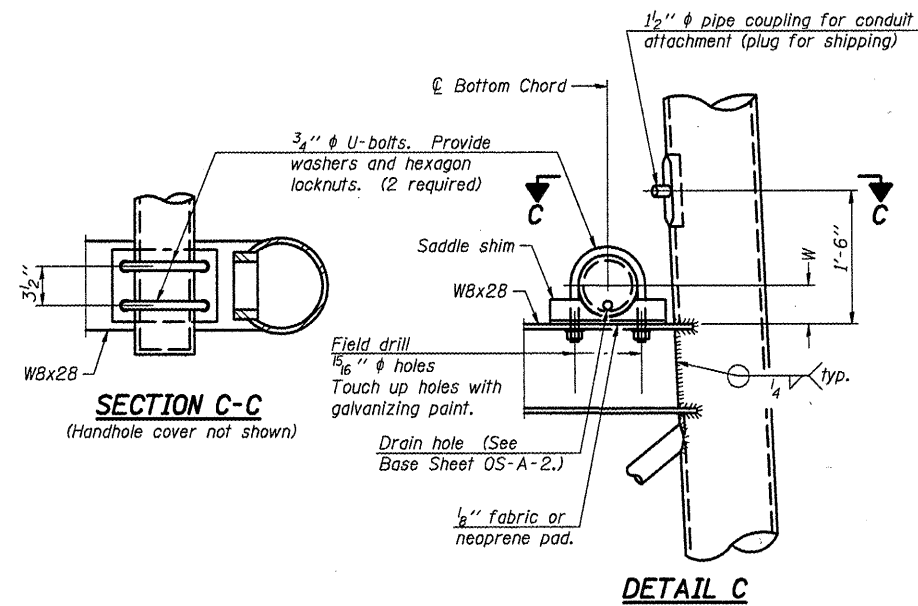


**SECTION B-B**

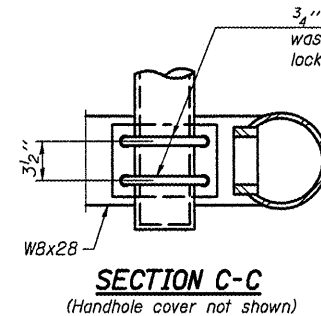


**SECTION D-D**

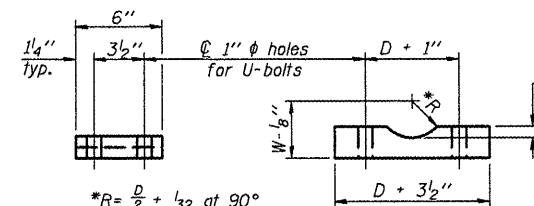
\*\* Alternate detail if welding col. to base plate first, then snip inside corner of ribs. Terminate weld on rib 1/4 inch from snip.



**DETAIL C**



**SECTION C-C**  
(Handhole cover not shown)



D = Outside Diameter of Chord.  
For W, see Base Sheet OS-A-6.

Truss Chord Nominal Dia.	a
7"	1"
8 1/2"	1 1/4"
9"	1 3/8"

**SADDLE SHIM DETAIL**  
ASTM B26 Alloy 356-F  
or  
ASTM B209 Alloy 6061-T651  
(4 required per sign truss)

## TYPE III-A TRUSS 12" φ PIPE SUPPORT FRAME DETAILS

Notes:  
For Type III-A Truss spans greater than 150 ft. and up to 160 ft.:

- ① 1 3/4" φ rod, 2" φ holes
- ② 2 3/4" edge distance
- ③ Base plate 1 5/8" x 1'-11 1/2" x 1'-11 1/2"

NOTES: Structure No. 55057S009R019.10

1. New End Supports to be installed on existing concrete foundations with existing anchor bolts. Provide new anchor bolt nuts and washers as necessary.
2. The Contractor shall field verify the existing end support dimensions and the existing anchor bolt dimensions to verify the "non-standard" dimensions provided in the plans prior to fabrication of the new end supports.
3. Removing all grout between the base plate and the foundation, cleaning and painting the exposed anchor bolts, and installing a stainless steel screen will be paid for under "Overhead Sign Support Grout Repair".

NUMBER	REVISION	DATE

OS4-A-8aA \* Non-Standard dimension to match existing foundations

FILE NAME =	USER NAME = ceer-look_jd	DESIGNED -	REVISED -	<b>STATE OF ILLINOIS DEPARTMENT OF TRANSPORTATION</b>	<b>OVERHEAD SIGN STRUCTURES SUPPORT FRAME FOR TYPE III-A ALUMINUM TRUSS</b>			F.A. RTE.	SECTION	COUNTY	TOTAL SHEETS	SHEET NO.	
ca:\pwwork\pwwork\ceer-look_jd\100151\100151.dgn	46118-sht-details.dgn	DRAWN -	REVISED -		SCALE:	SHEET NO.	OF SHEETS	STA.	TO STA.	D-5 OSS REPL 2010-46	Various	77	36
	PLOT SCALE = 40.0000' / IN.	CHECKED -	REVISED -							Various	CONTRACT NO. 46110		
	PLOT DATE = 1/21/2010	DATE -	REVISED -							ILLINOIS FED. AID PROJECT			