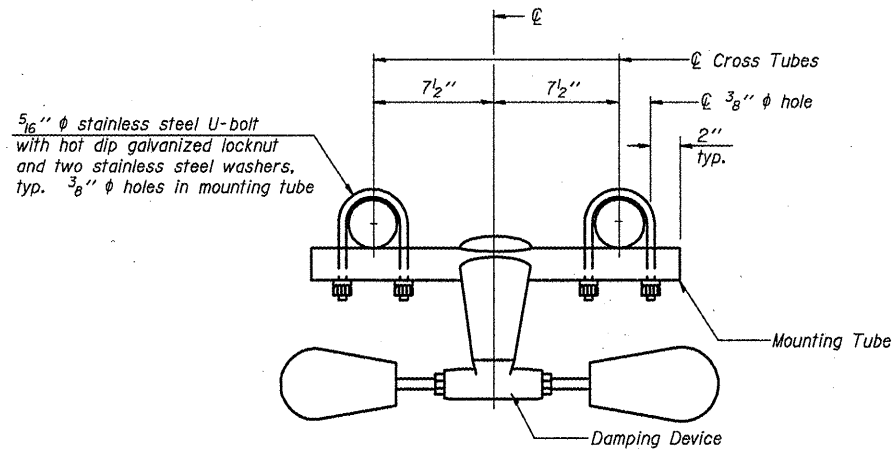
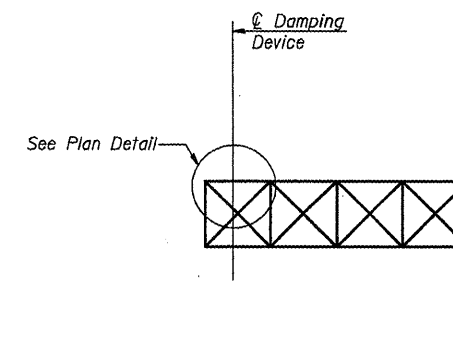


PLAN DETAIL



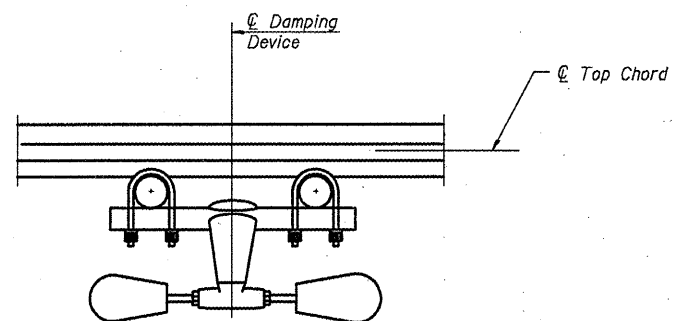
TRUSS DAMPING DEVICE CONNECTION DETAIL



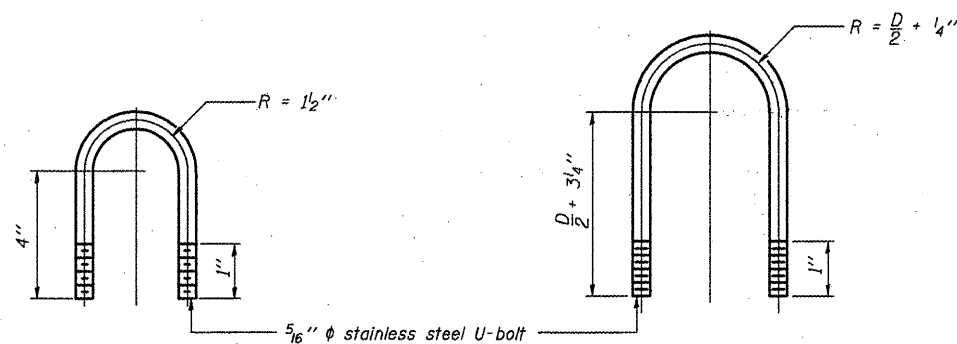
ELEVATION
Aluminum Cantilever
Sign Structure

GENERAL NOTES

- Damper:** One damper per truss. (31 lbs. Stockbridge-Type Aluminum-29" minimum between ends of weights)
- Materials:** Aluminum tubes shall be ASTM B221 alloy 6061 temper T6



SECTION A-A



DAMPING DEVICE MOUNTING TUBE U-BOLT DETAIL
(Typical)

TOP CHORD TO CROSS TUBE U-BOLT DETAIL
(Typical)

OSC-A-D

12-1-08

FILE NAME =	USER NAME =	DESIGNED -	REVISED -
ei\pwork\PWIDOT\CEARLOCKJD\8180151\046118-aht-detail.dgn	eeerlockjd	DRAWN -	REVISED -
PLLOT SCALE = 48.0000' / IN.		CHECKED -	REVISED -
PLLOT DATE = 1/21/2010		DATE -	REVISED -

STATE OF ILLINOIS
DEPARTMENT OF TRANSPORTATION

CANTILEVER SIGN STRUCTURES
DAMPING DEVICE

SCALE: SHEET NO. OF SHEETS STA. TO STA.

F.A. RTE.	SECTION	COUNTY	TOTAL SHEETS	SHEET NO.
• D-5 OSS REPL 2010-46		Various	77	57
• Various			CONTRACT NO. 46110	
ILLINOIS FED. AID PROJECT				