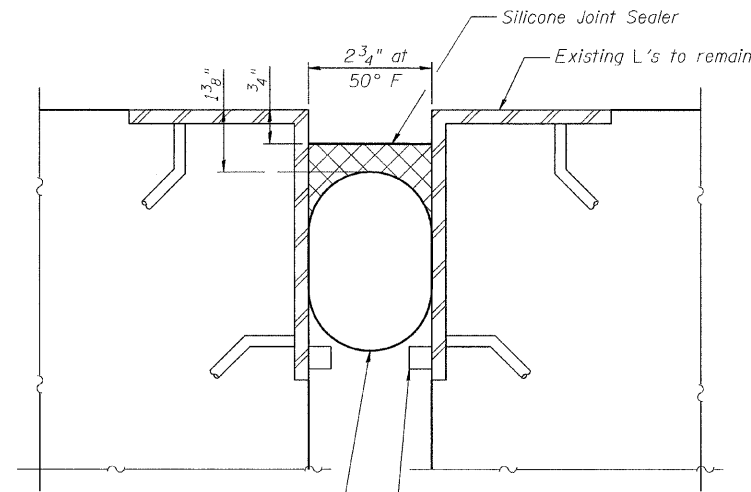


P&P ROUTE NO.	SECTION	COUNTY	TOTAL SHEETS	SHEET NO.	SHEET NO. 4 OF 16 SHEETS
350	50-1 VB-1-BR	Cook	33	15	
FED. ROAD DIST.		ILLINOIS FED. AID PROJECT			

Contract # 60H76



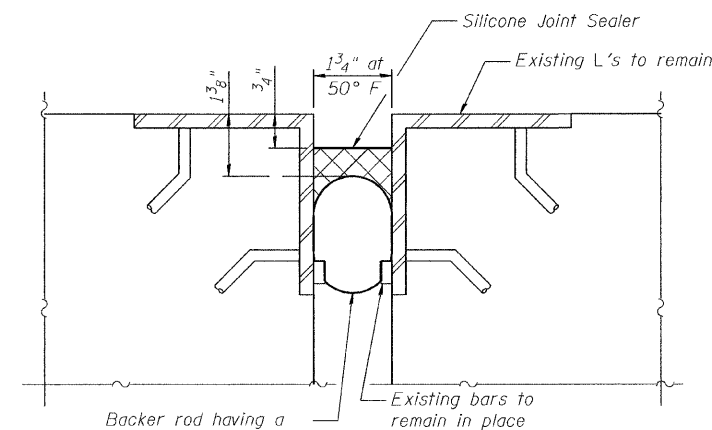
Backer rod having a diameter 25% greater than joint opening at the time of installation.

Existing bars to remain in place

SB, N. ABUTMENT EXPANSION JOINT

(Horiz. dimensions at Rt. L's)

Note: Remove existing preformed joint sealer.
Cost included with Silicone Joint Sealer, 2 3/4"



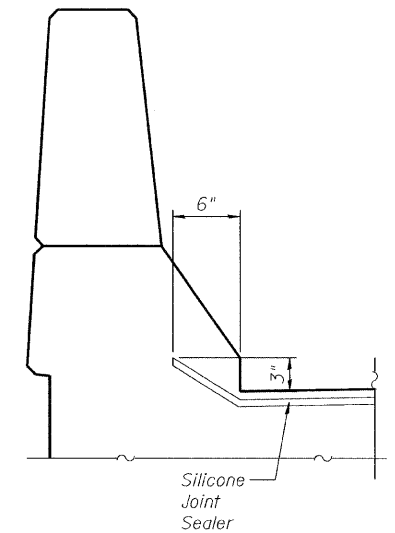
Backer rod having a diameter 25% greater than joint opening at the time of installation.

Existing bars to remain in place

SB, S. ABUTMENT EXPANSION JOINT

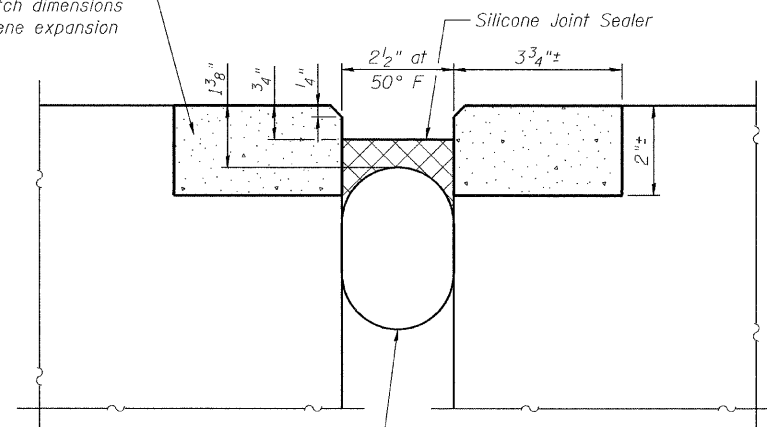
(Horiz. dimensions at Rt. L's)

Note: Remove existing preformed joint sealer.
Cost included with Silicone Joint Sealer, 1 3/4"



SB END TREATMENT

Polymer Concrete Nosing.
Dimensions to match dimensions of existing neoprene expansion joint.



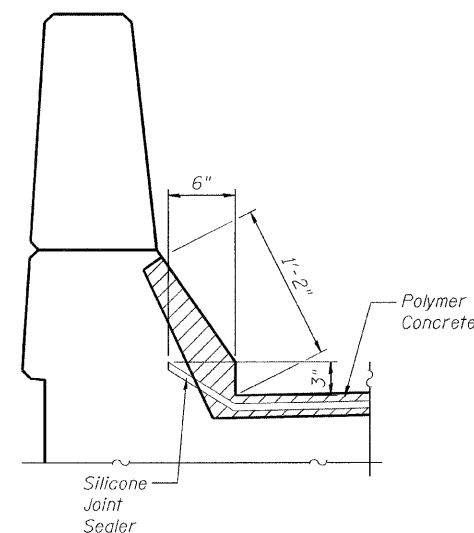
Backer rod having a diameter 25% greater than joint opening at the time of installation.

Existing bars to remain in place

NB, N. ABUTMENT EXPANSION JOINT

(Horiz. dimensions at Rt. L's)

Note: Remove existing neoprene expansion joint.
Cost included with Silicone Joint Sealer, 2.5"



NB END TREATMENT

Notes:
1. Joint opening widths are based on original plans. Contractor must verify dimensions.

BILL OF MATERIAL

Item	Unit	Quantity
Silicone Joint Sealer, 2.5"	Foot	51
Polymer Concrete	Cu. Ft.	5.3
Silicone Joint Sealer, 1 3/4"	Foot	53
Silicone Joint Sealer, 2 3/4"	Foot	51

DESIGNED	E.E.J.
CHECKED	J.A.Z.
DRAWN	E.E.J.
CHECKED	J.A.Z.

EXPANSION JOINTS
SB ABUTMENTS & NB NORTH ABUTMENT
IL 50 (CICERO AVE) OVER BRC R.R.
F.A.P. 350, SECTION 50-1 VB-1-BR
COOK COUNTY

S.N. 016-2512 (S.B.), 016-2513 (N.B.)
DATE: 10-23-09
GRAEF
CHICAGO ILLINOIS